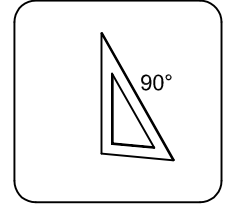
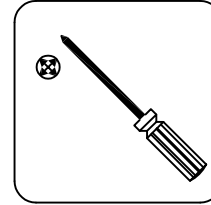
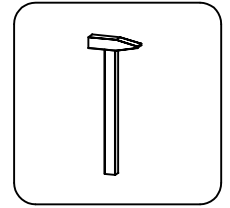
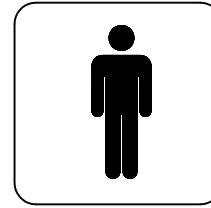
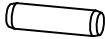

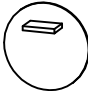
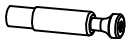

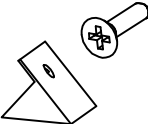




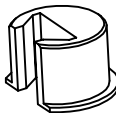

15'




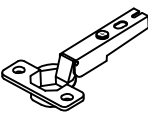
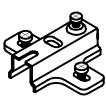
FN00000001K

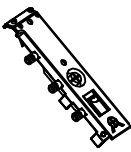
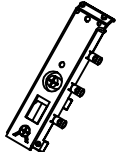
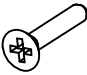
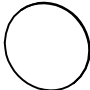
STEP.1_FN00000001A				
8140000013	8060000880	8060000439	8040001145	8040001144
A x12	B x10	C x8	D x8	E x8
				

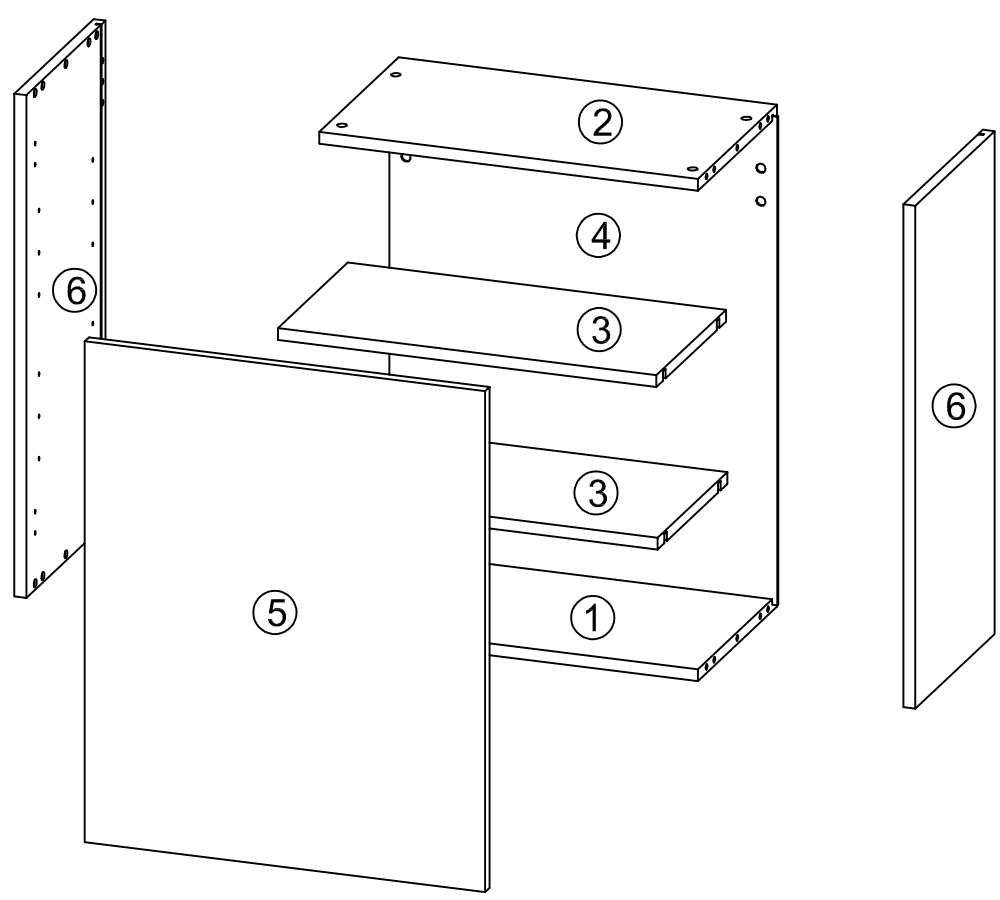
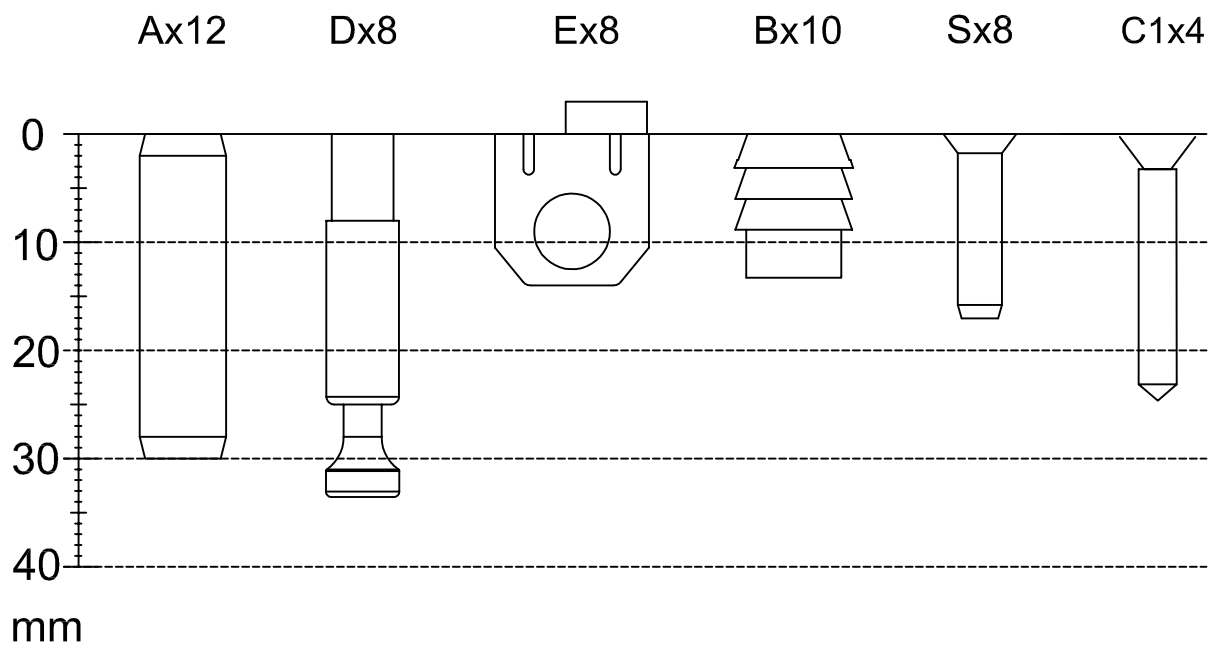
STEP.2_FN00000001B	
8040000762	8060000156
L x4	G x4
	

STEP.3_FN00000003C		
8040000392	8040002001	8040002002
S x8	T x8	U x8
 EURO 6,3X17		

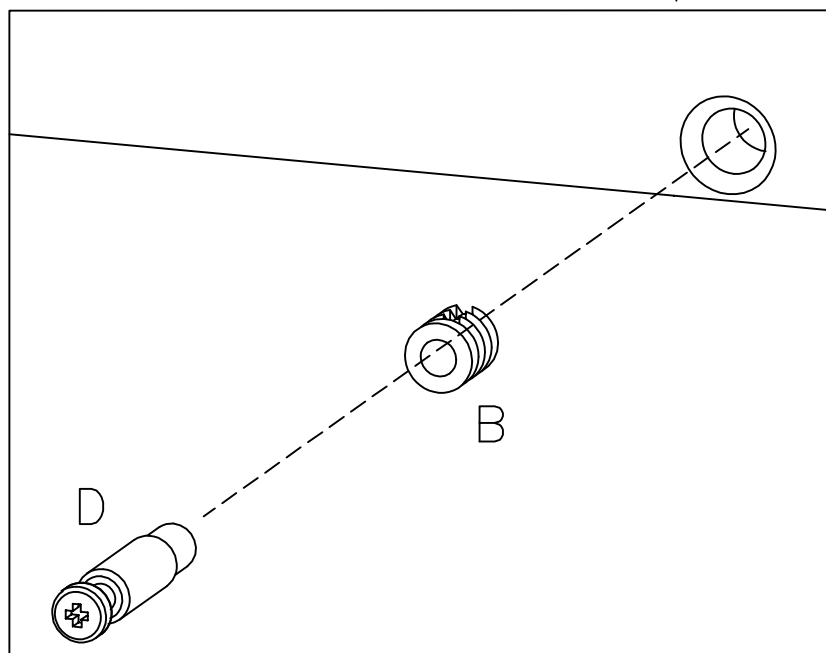
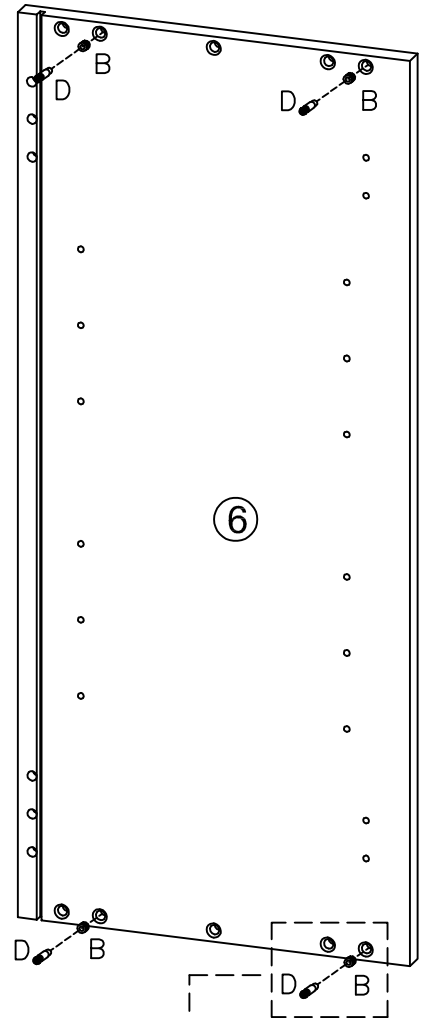
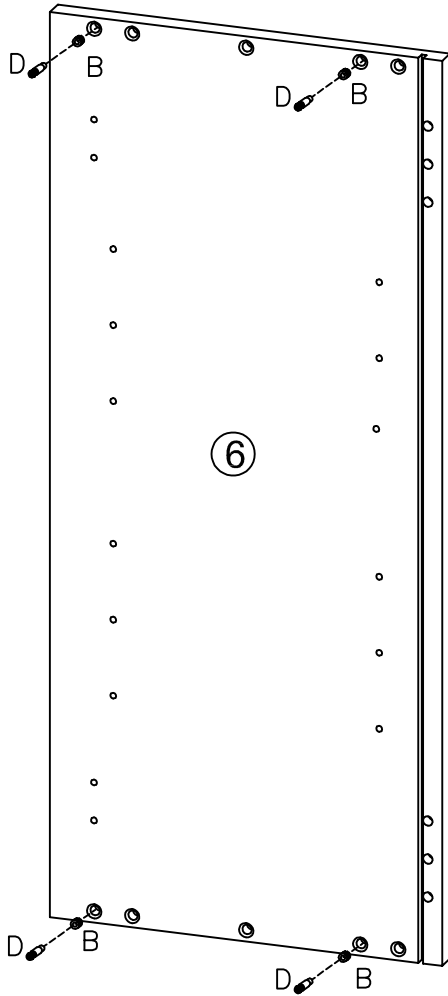
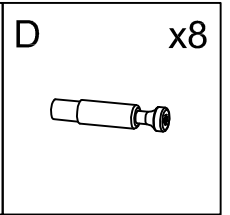
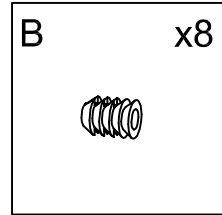
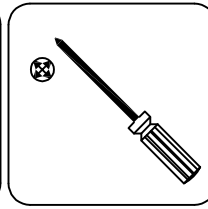
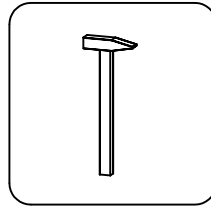
8230300014	
P	x1
	

STEP.4_H000000139	
8040001375	8040001376
V x2	Z x2
	

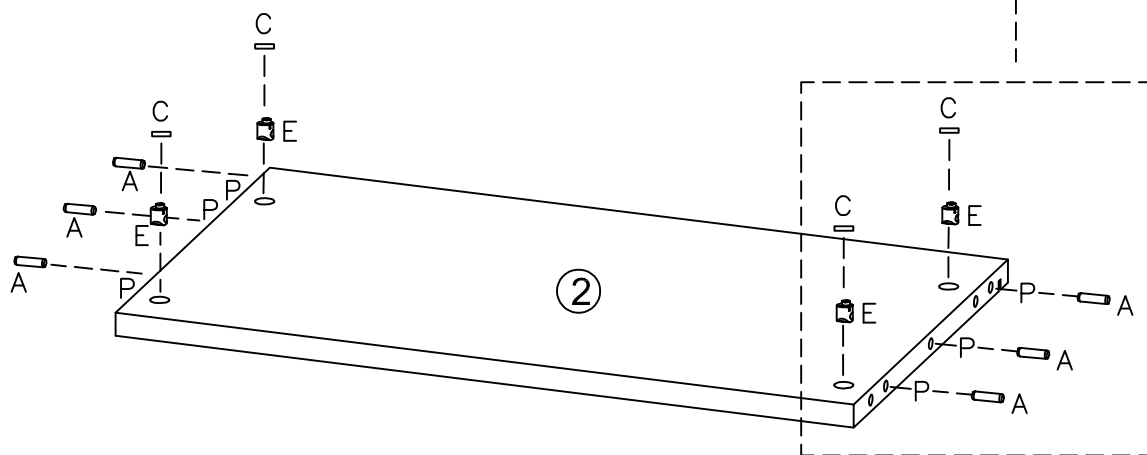
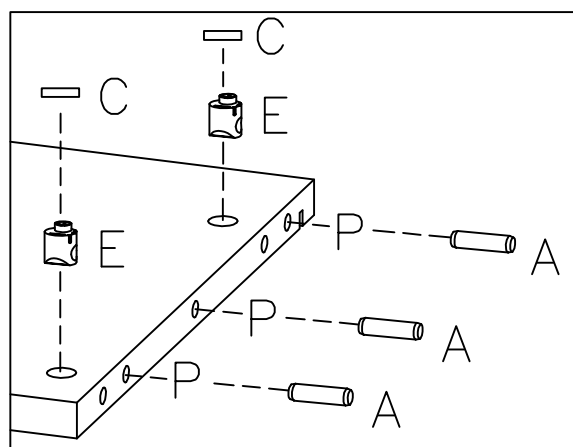
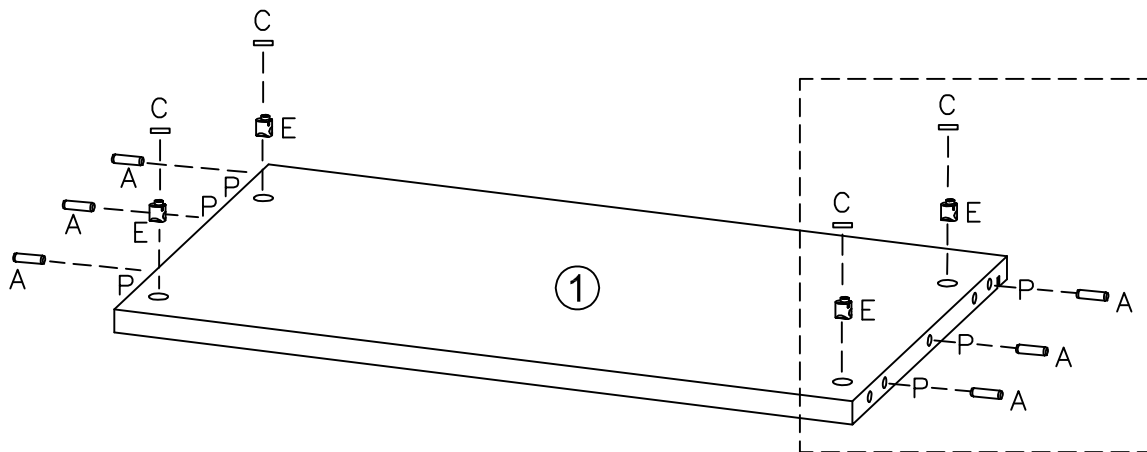
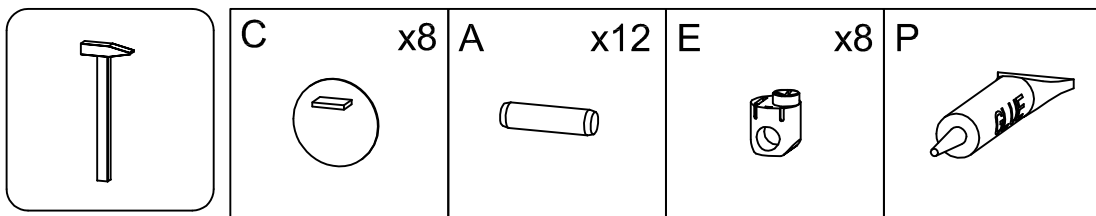
STEP.5_FN00000006			
8050002028	8050002029	8040000496	8060000856
A1 x1	B1 x1	C1 x4	D1 x4
		 TSP 3,5X25	



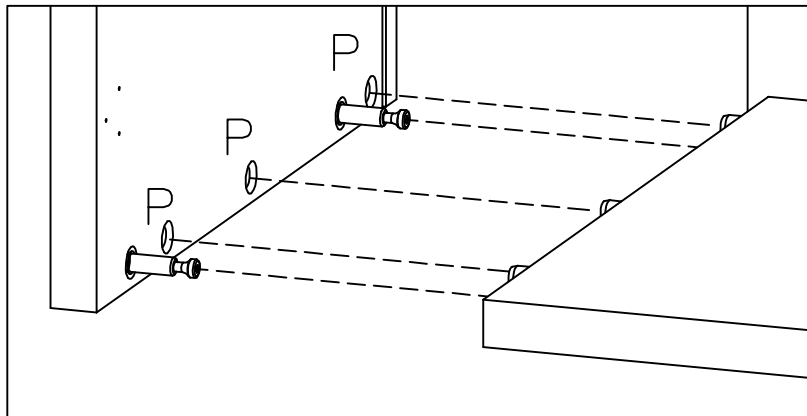
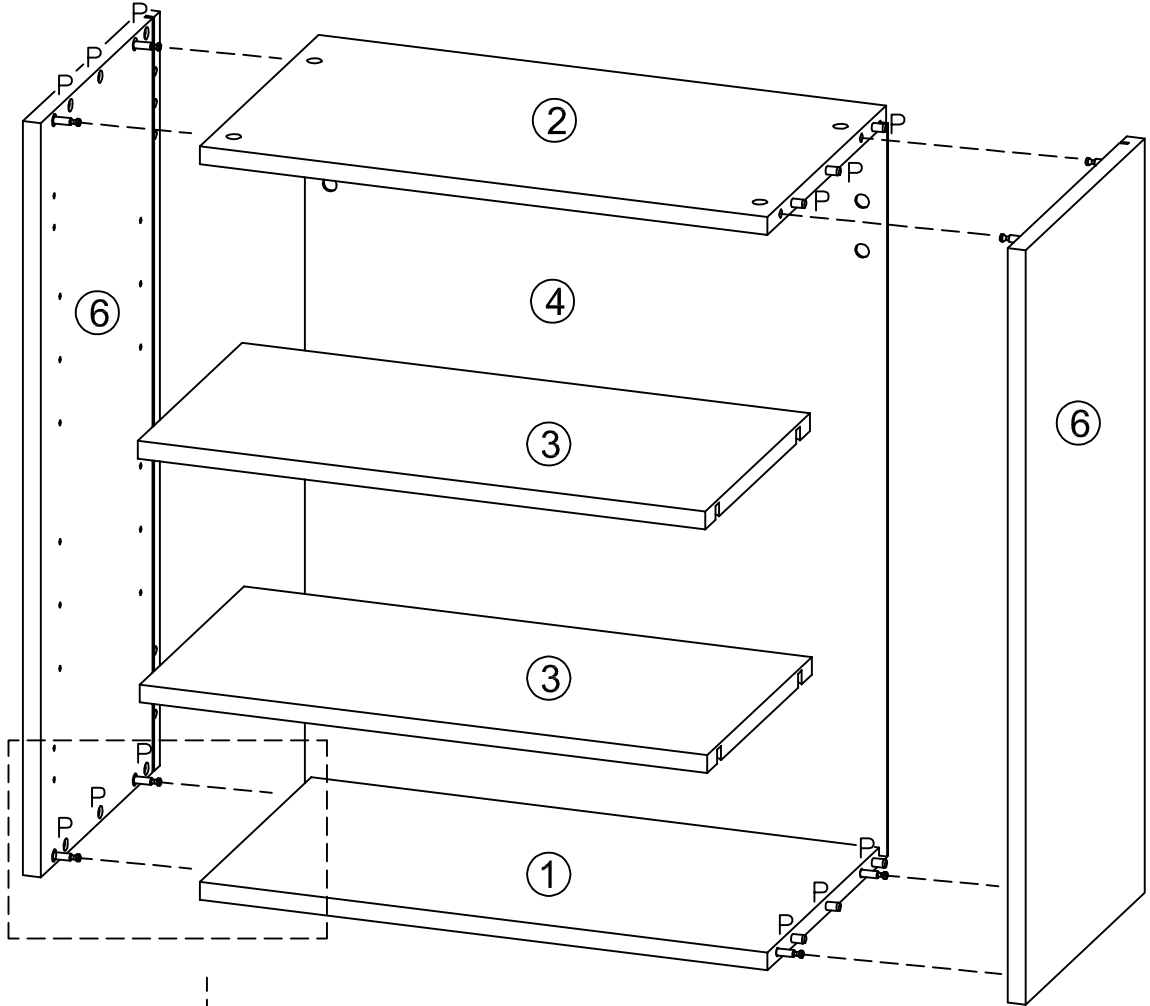
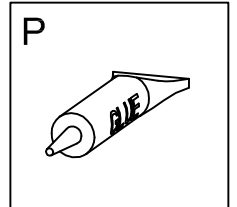
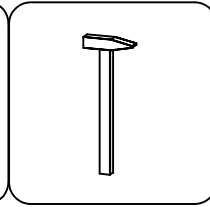
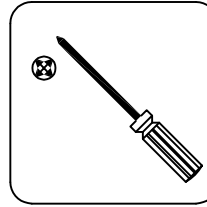
STEP.1- 01



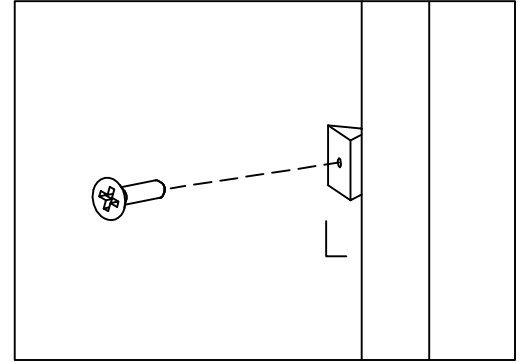
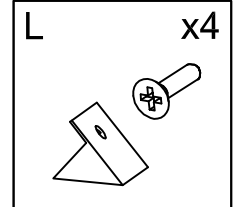
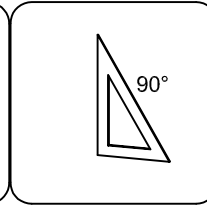
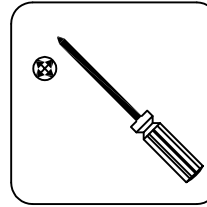
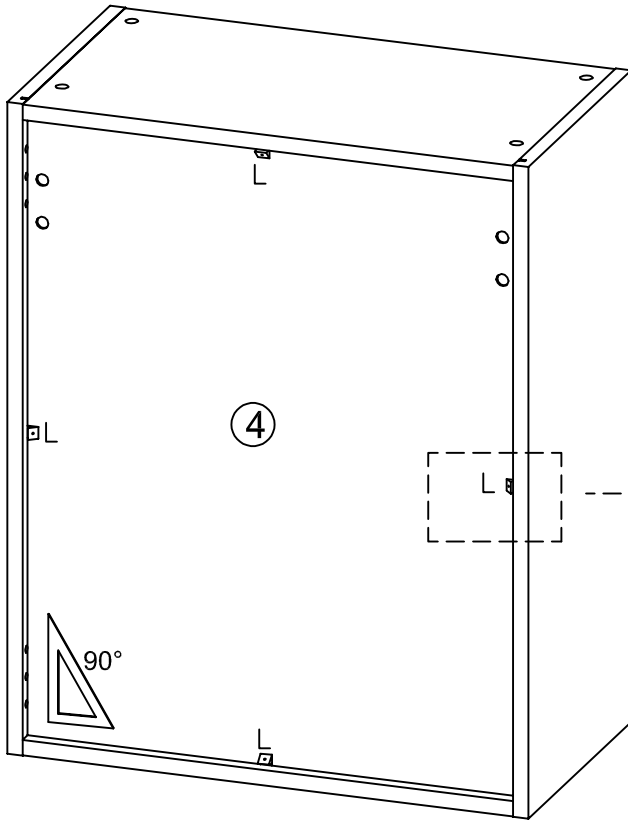
STEP.1- 02



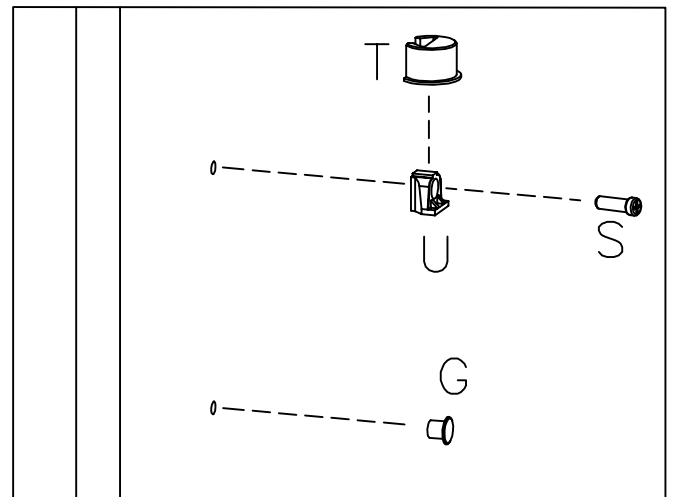
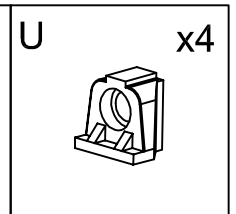
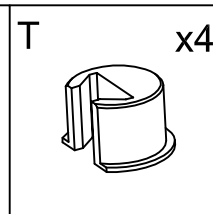
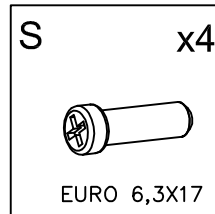
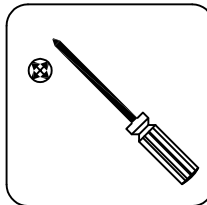
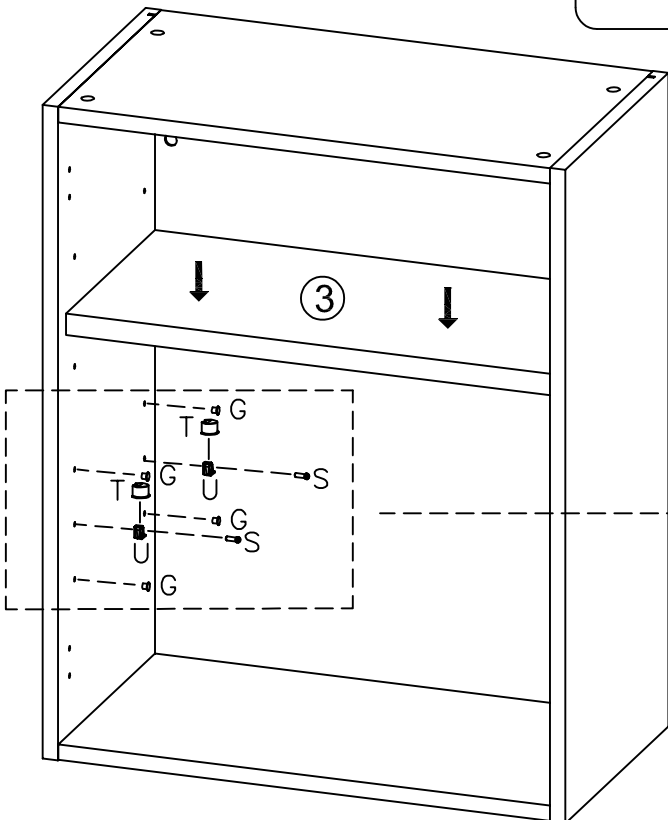
STEP.1- 03



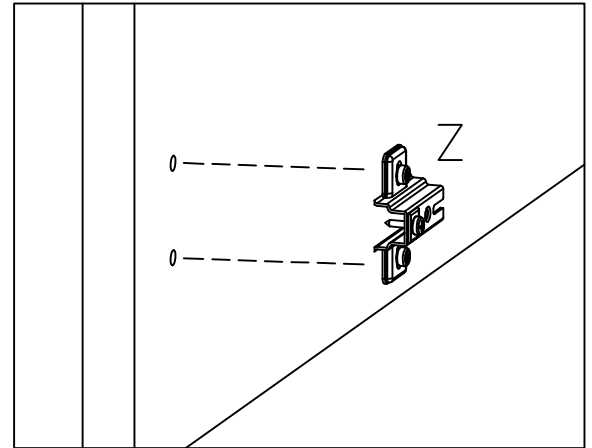
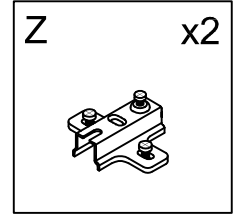
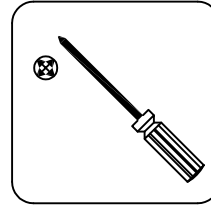
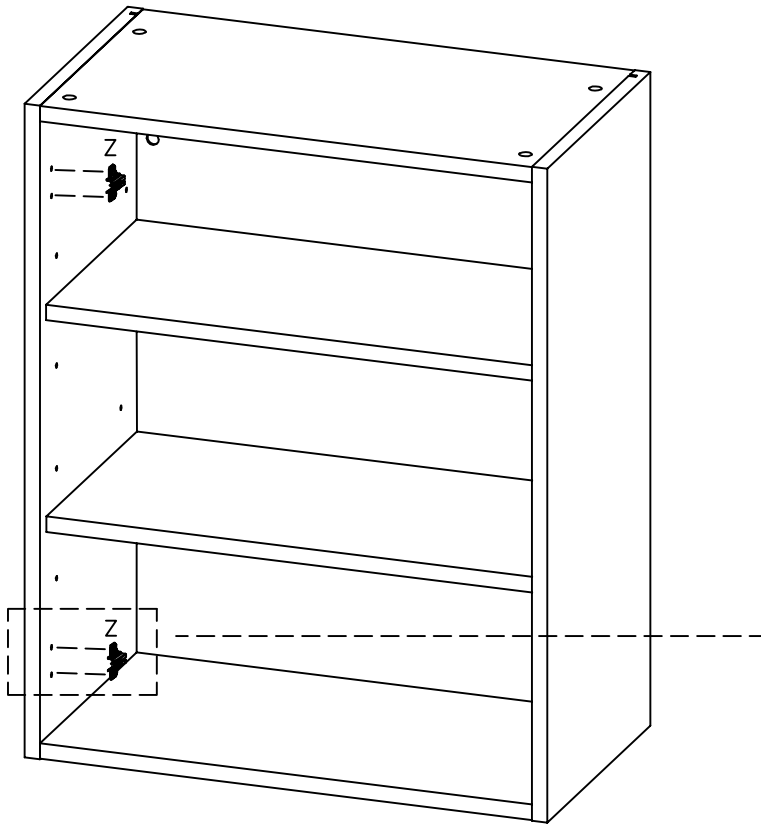
STEP.2- 01



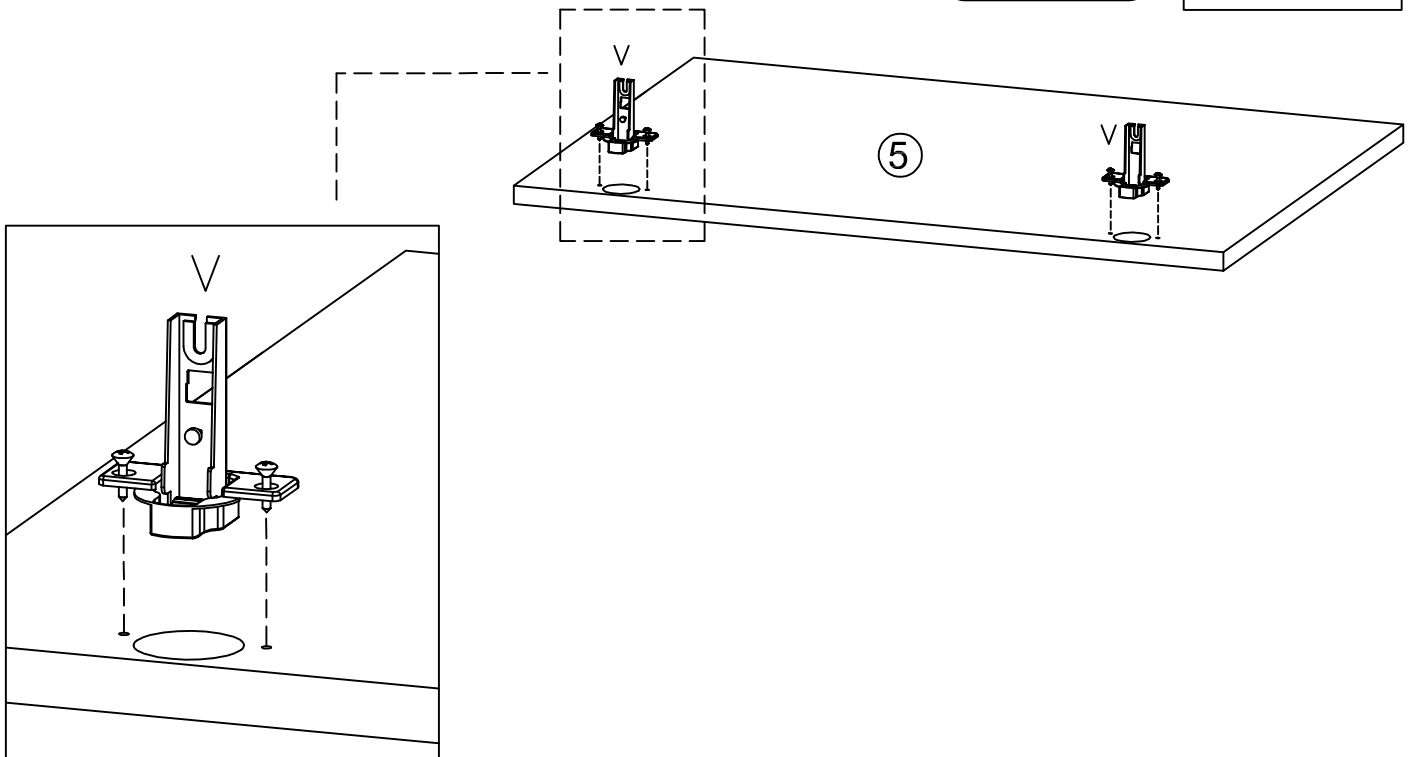
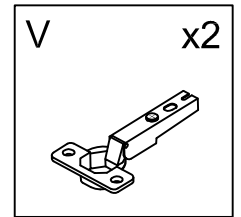
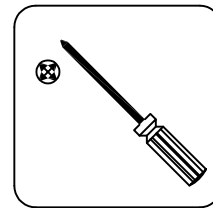
STEP.3- 01 X2



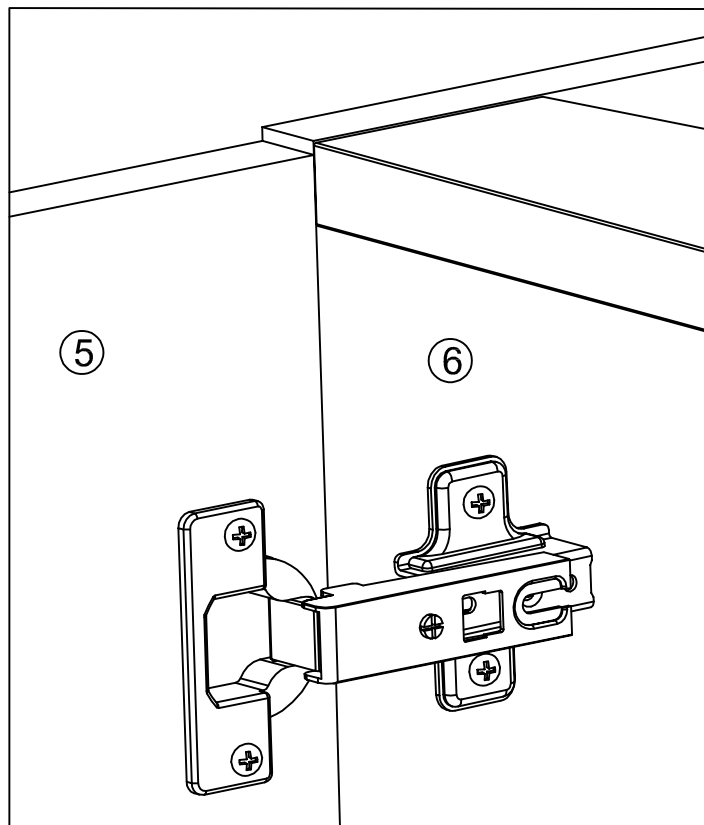
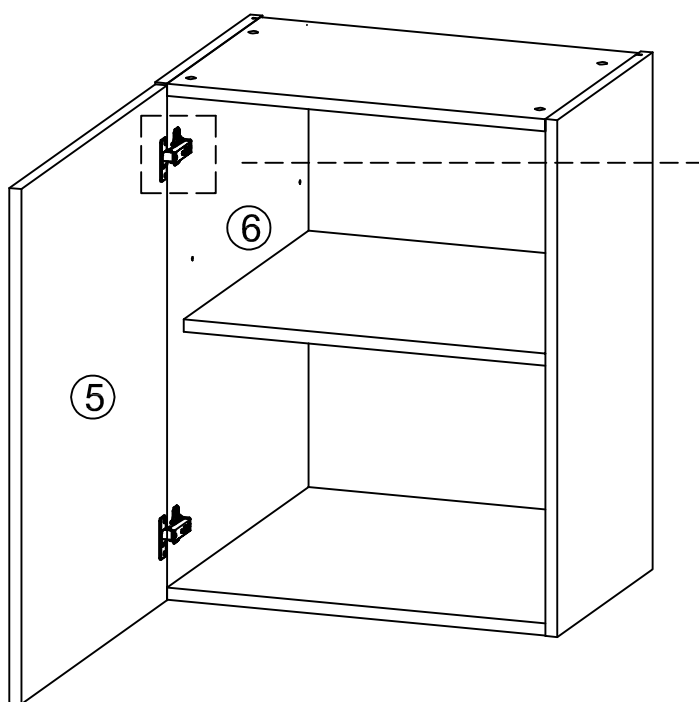
STEP.4- 01



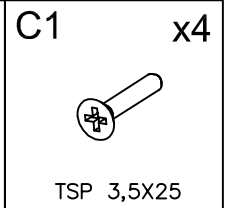
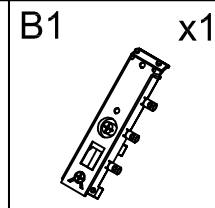
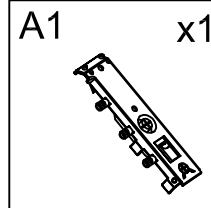
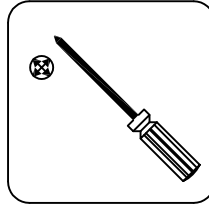
STEP.4- 02



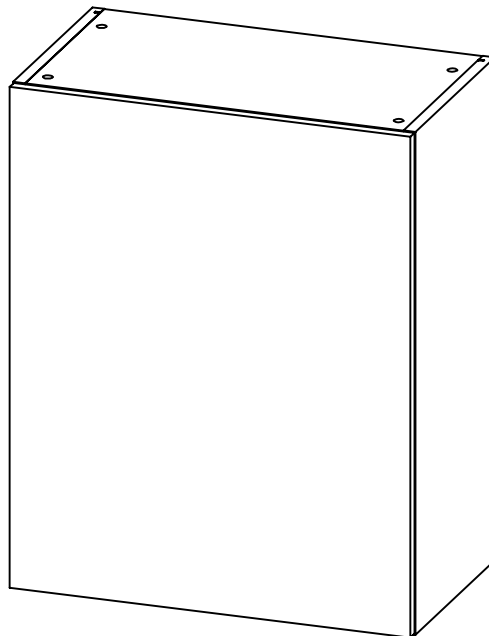
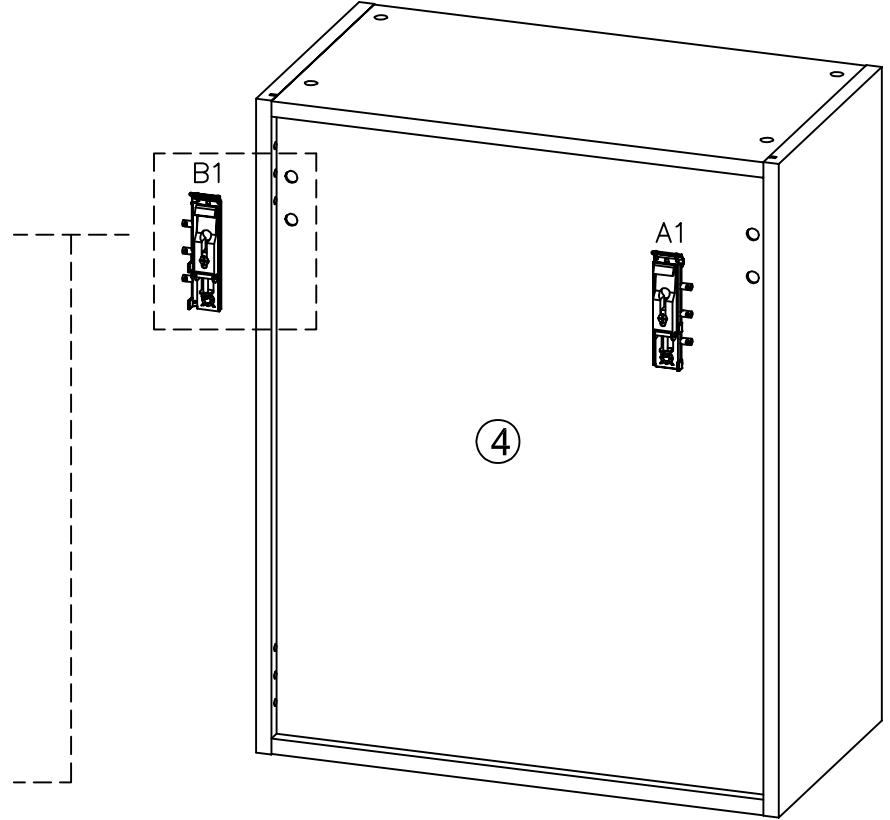
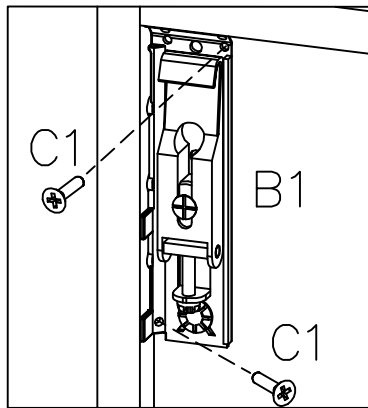
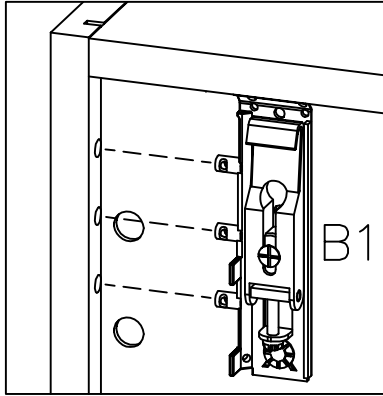
STEP.4- 03

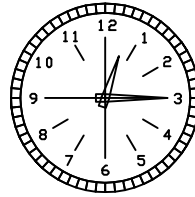
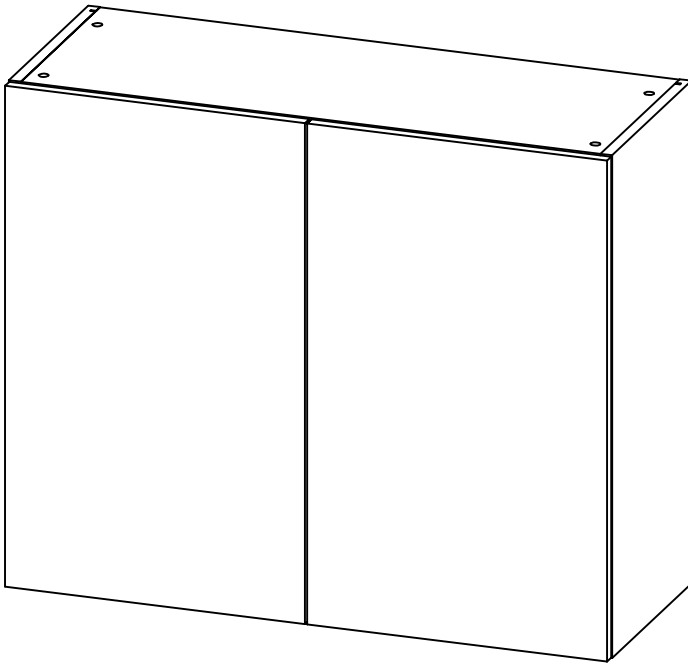


STEP.5- 01

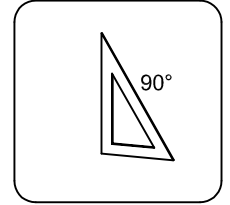
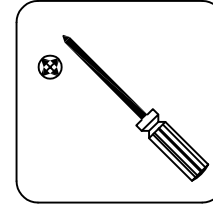
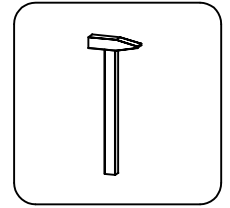
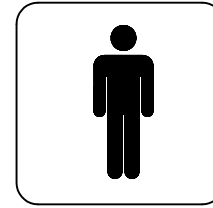


TSP 3,5X25



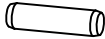

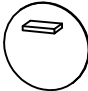
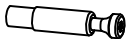



15'

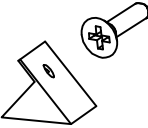



FN0000002K

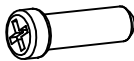
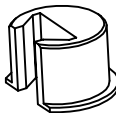

STEP.1_FN0000002A

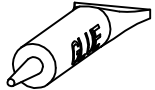
8140000013	8060000880	8060000439	8040001145	8040001144
A x12	B x10	C x8	D x8	E x8
				

STEP.2_FN0000002B

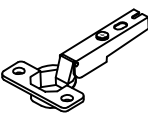
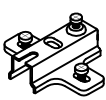
8040000762	8060000156
L x4	G x4
	

STEP.3_FN0000002C

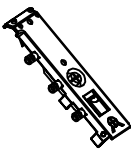
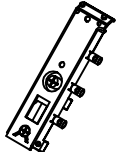
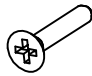
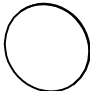
8040000392	8040002001	8040002002
S x8	T x8	U x8
 EURO 6,3X17		

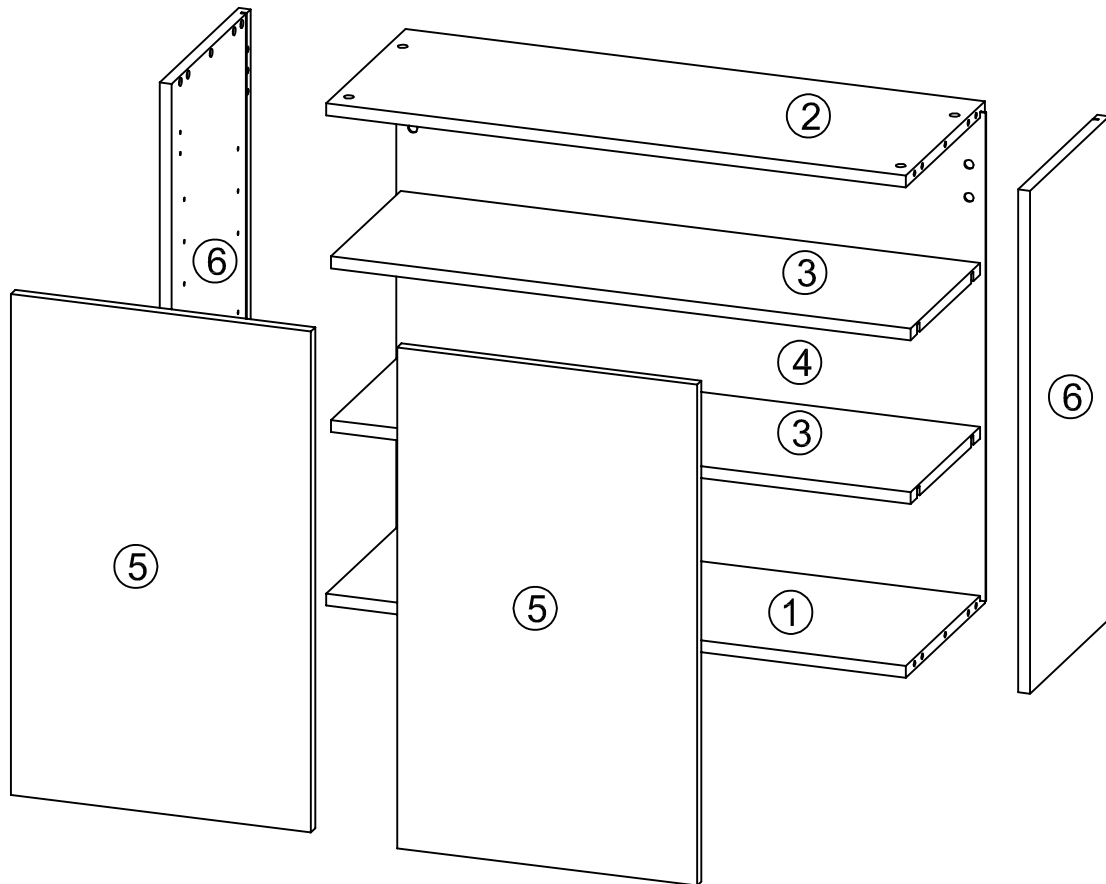
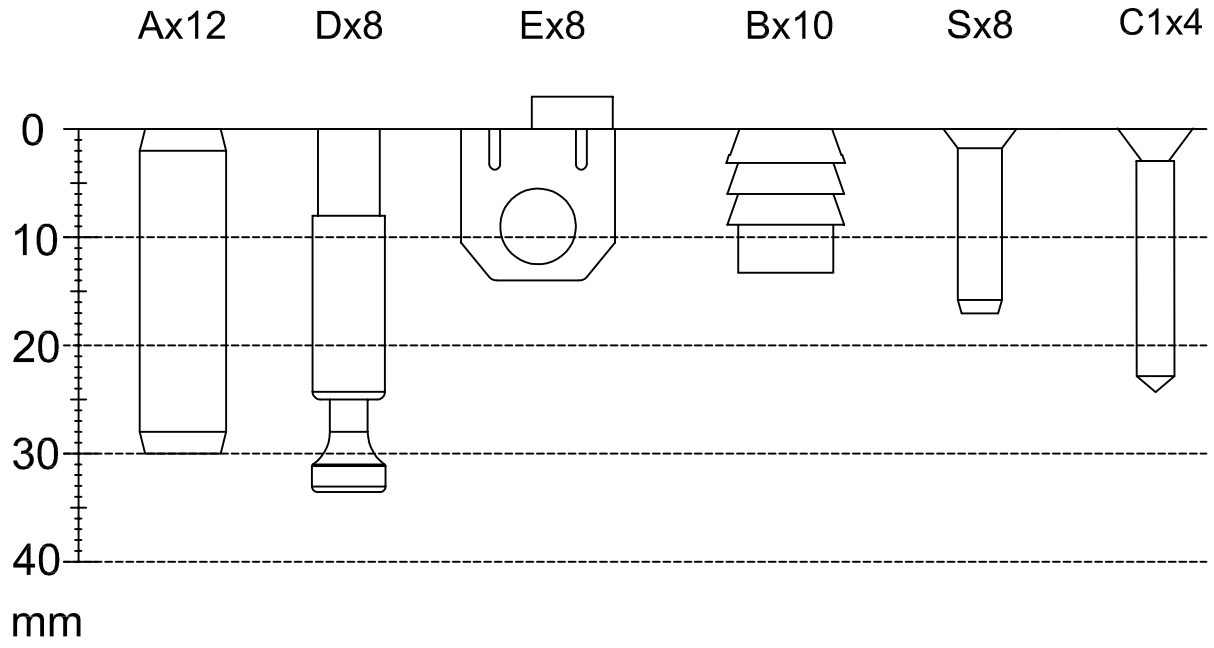
8230300014
P x1


STEP.4_H000000140

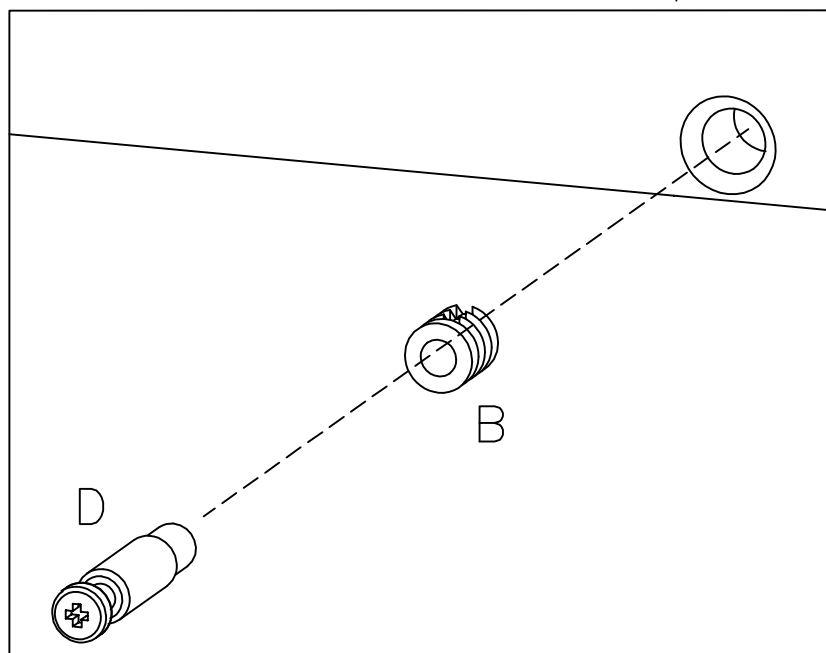
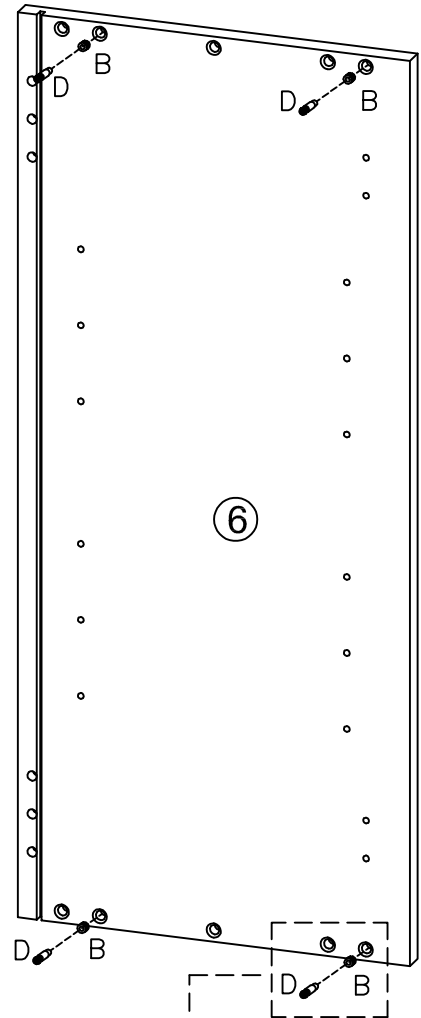
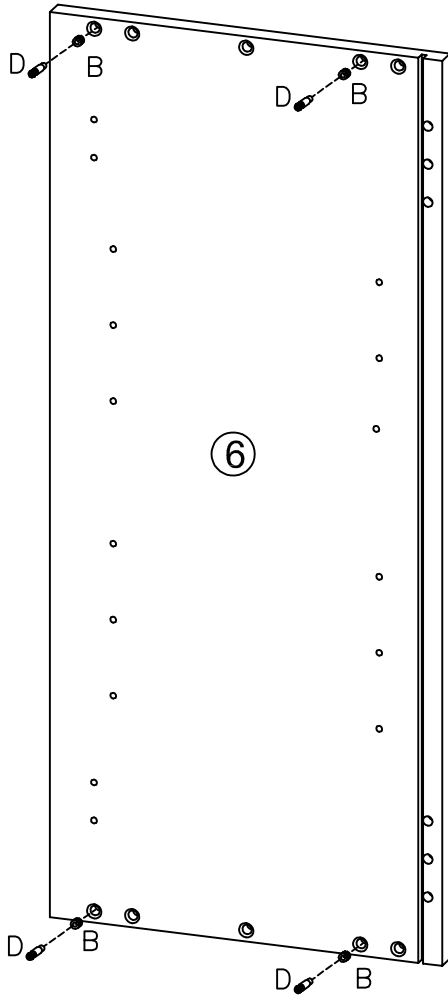
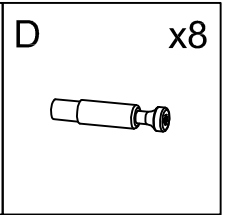
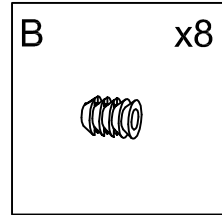
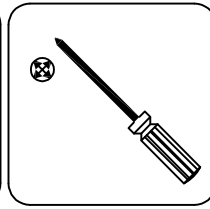
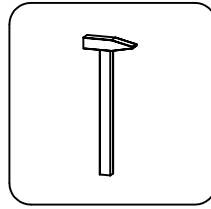
8040001375	8040001376
V x4	Z x4
	

STEP.5_FN00000006

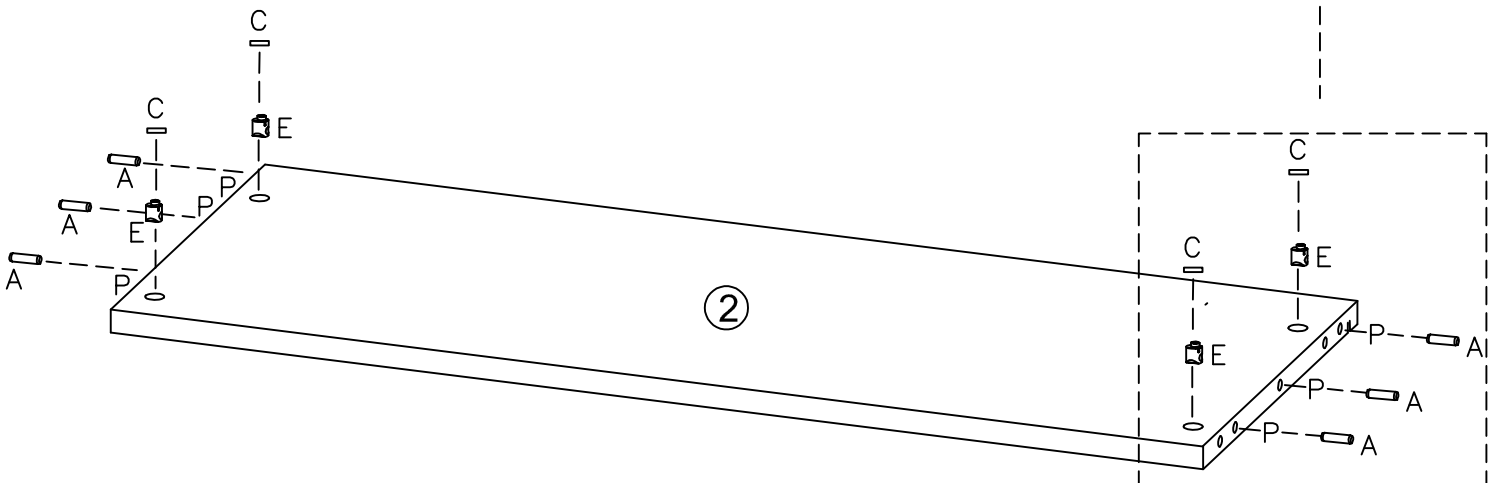
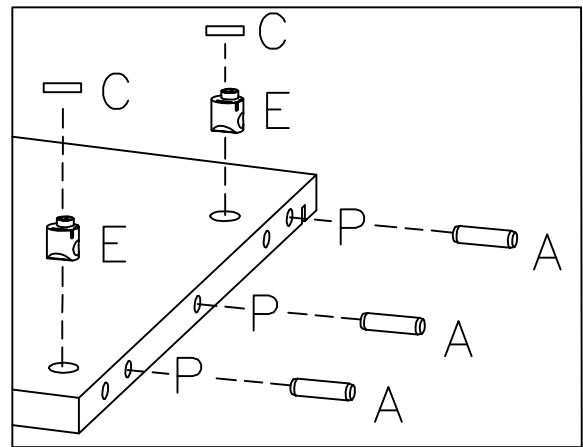
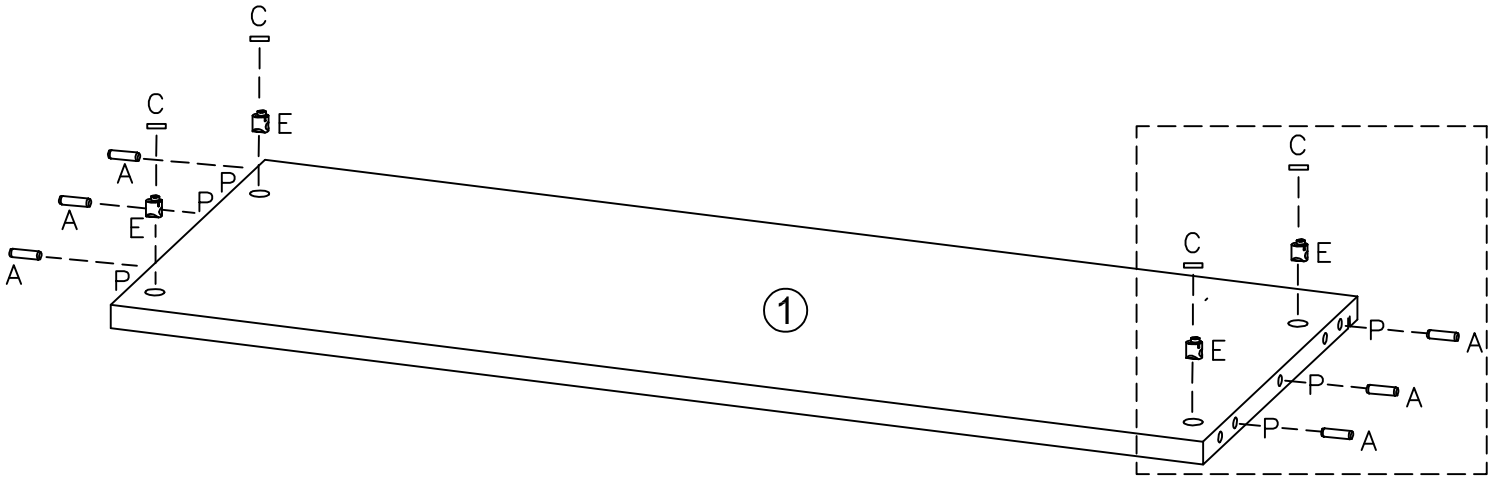
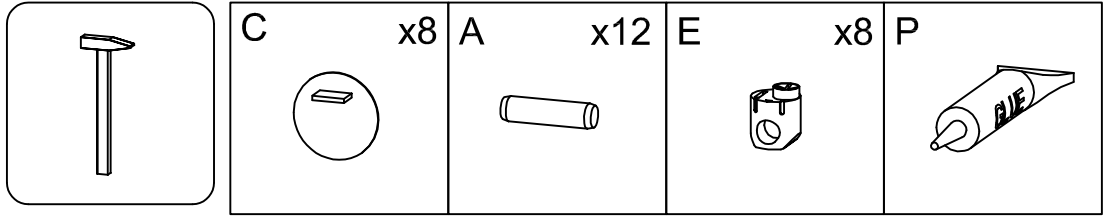
8050002028	8050002029	8040000496	8060000856
A1 x1	B1 x1	C1 x4	D1 x4
		 TSP 3,5X25	



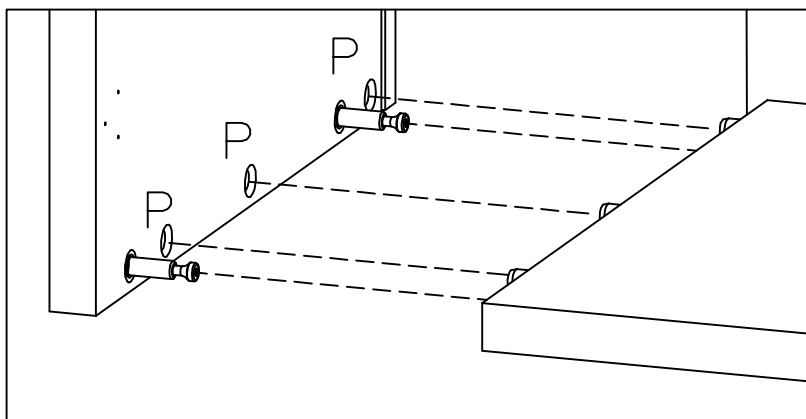
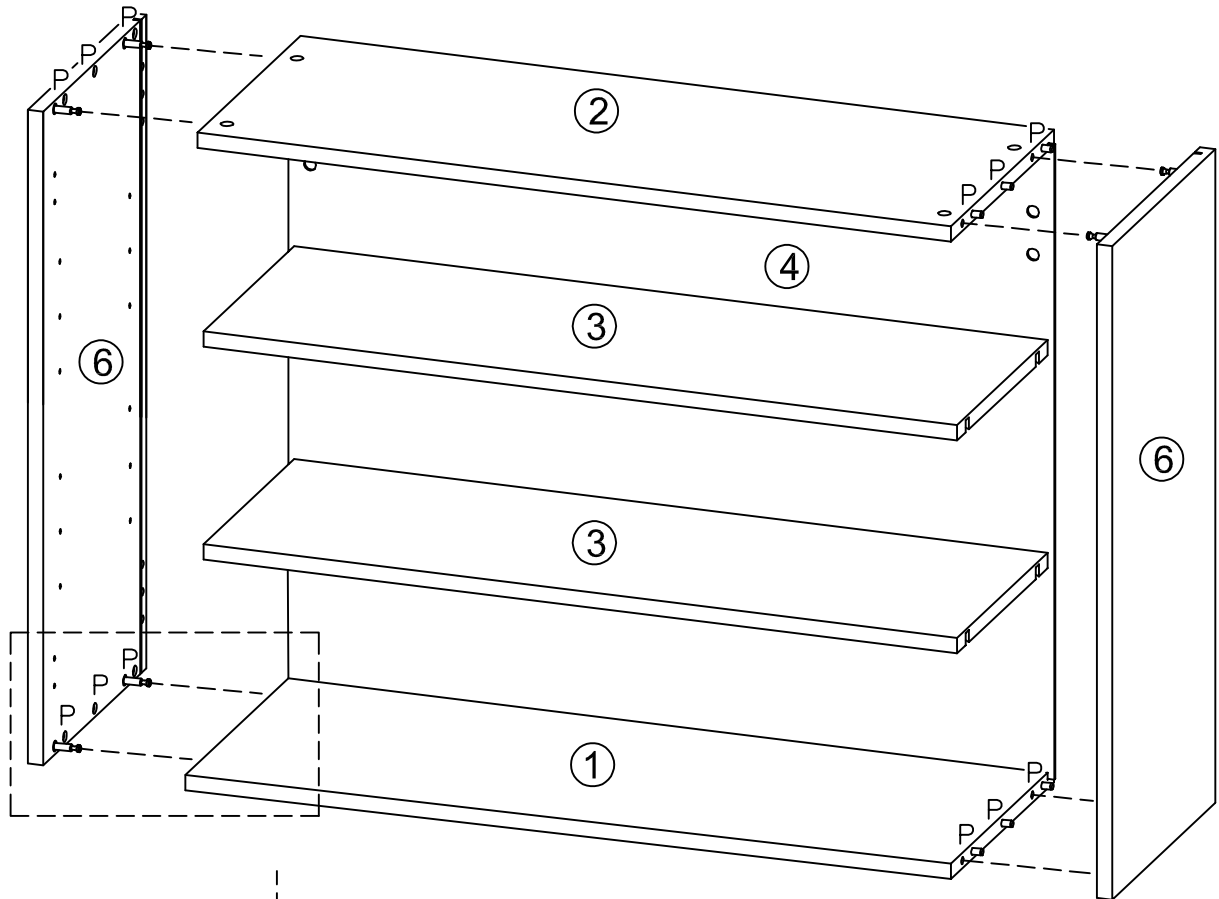
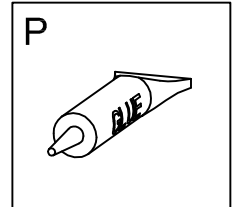
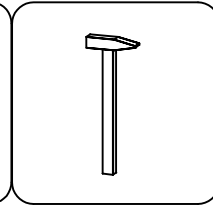
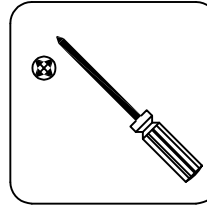
STEP.1- 01



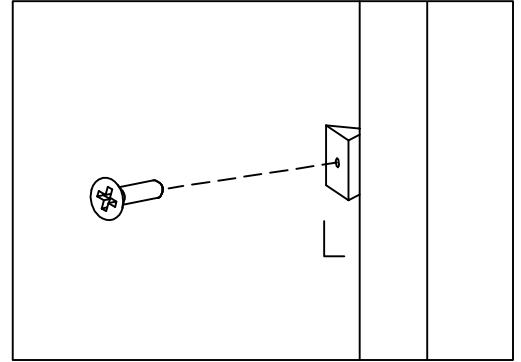
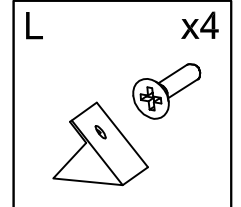
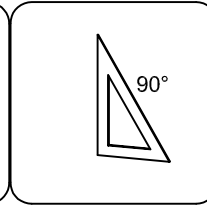
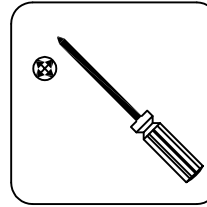
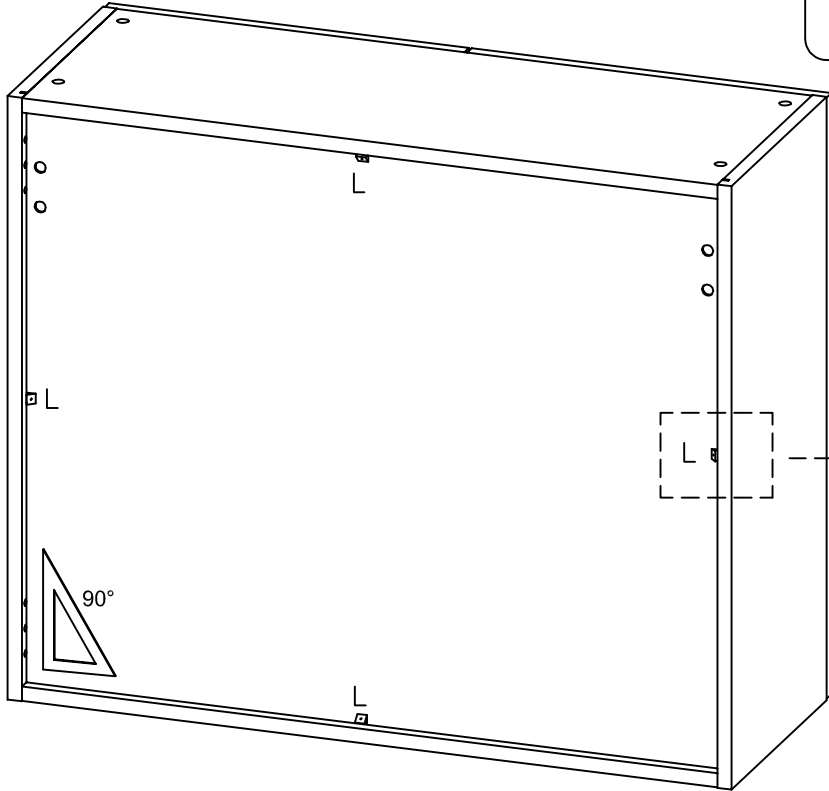
STEP.1- 02



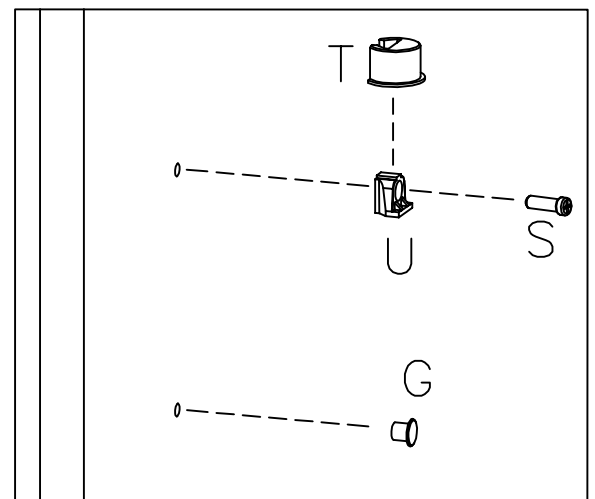
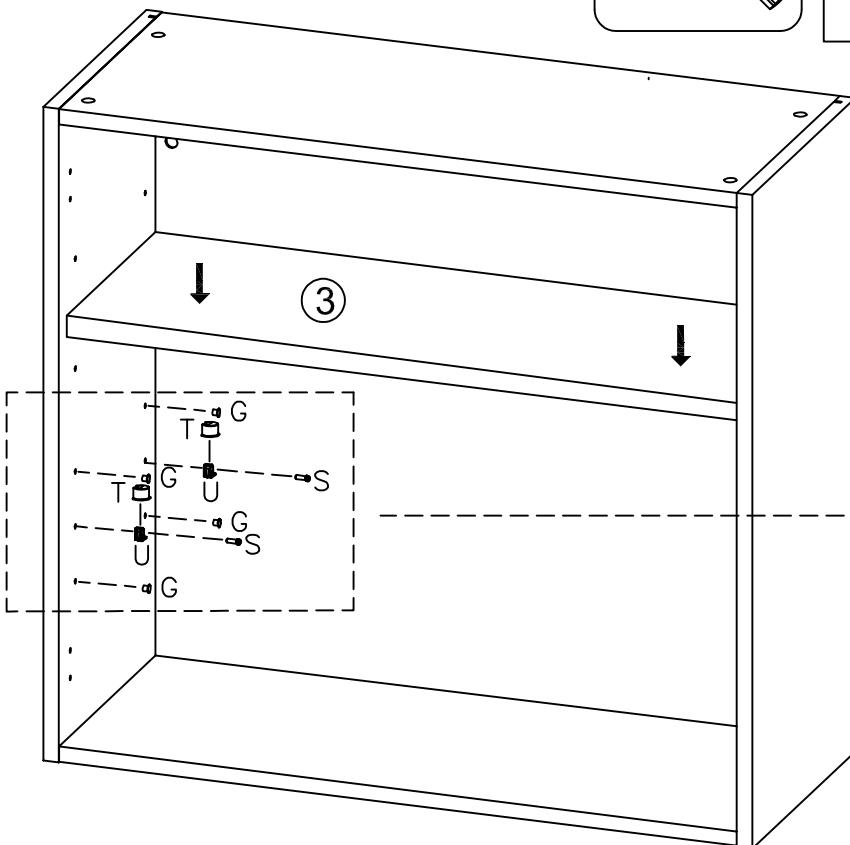
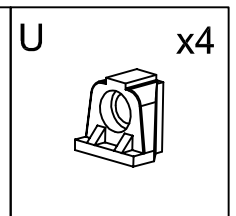
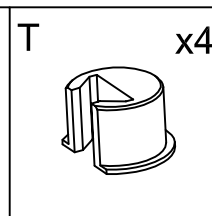
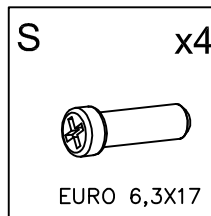
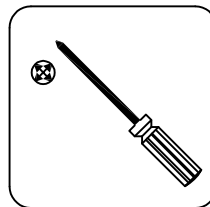
STEP.1- 03



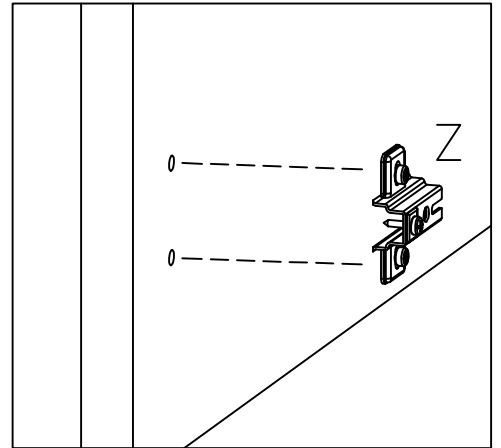
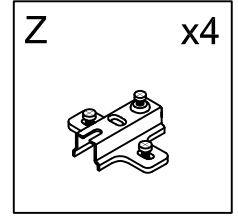
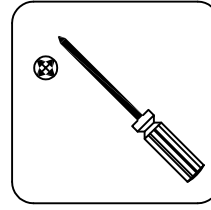
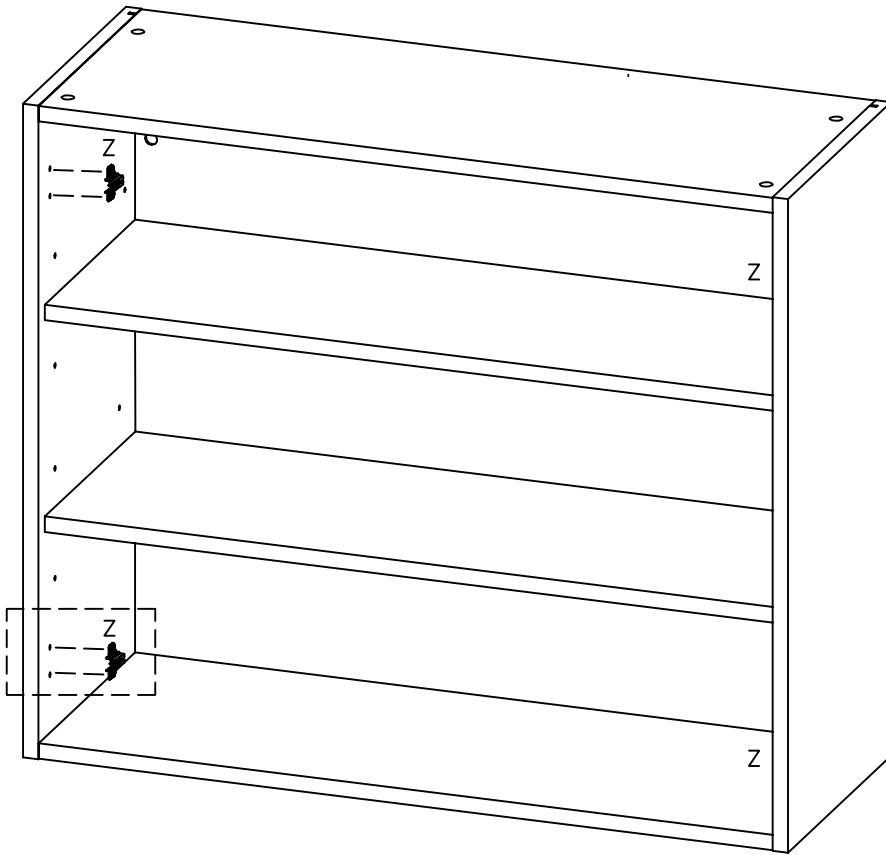
STEP.2- 01



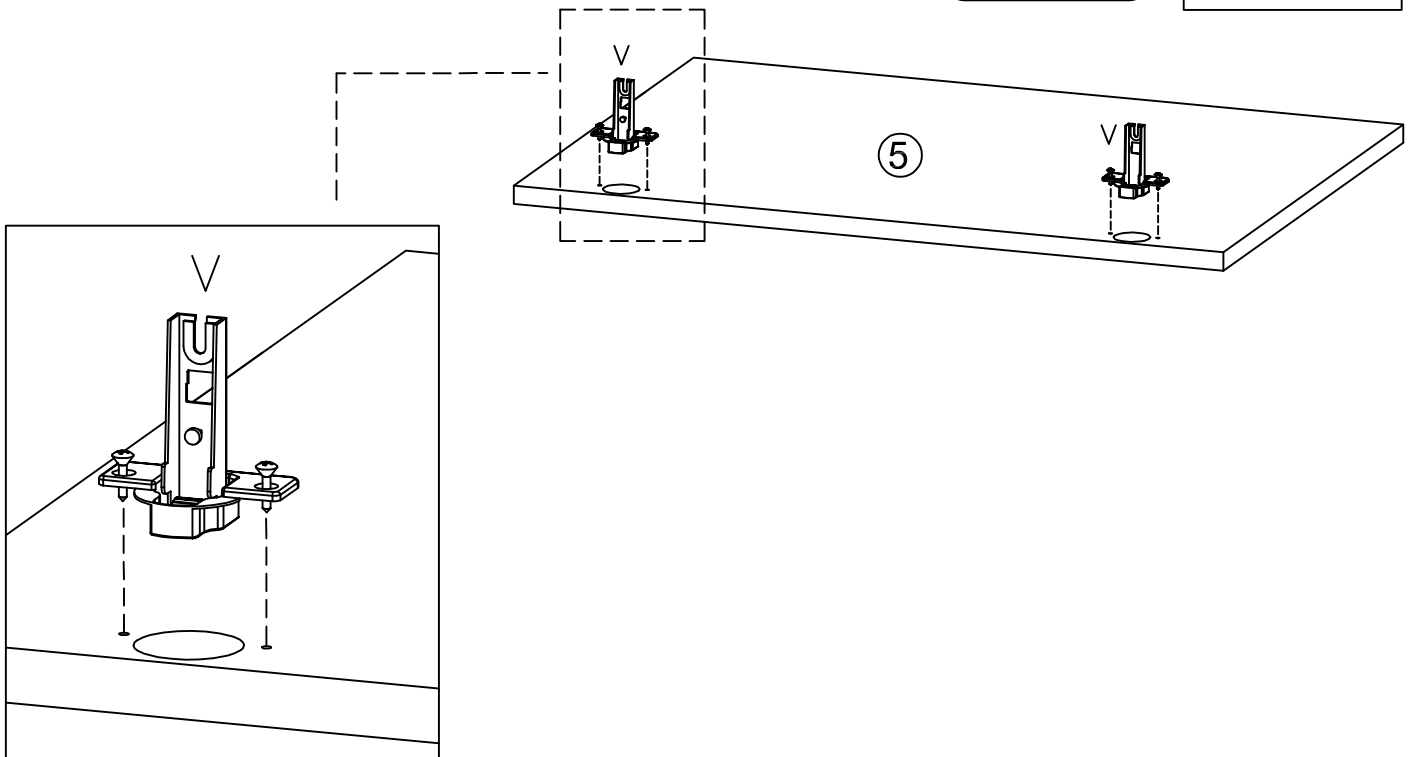
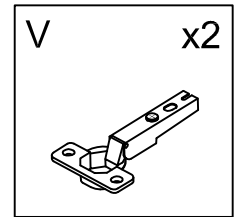
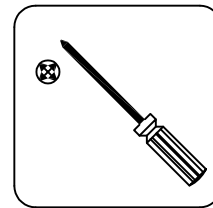
STEP.3- 01 X2



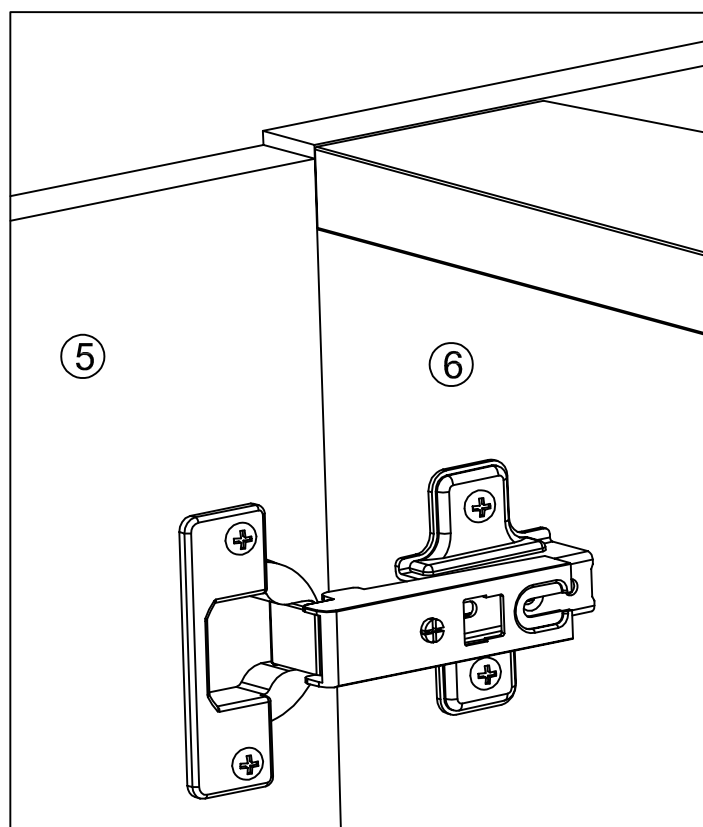
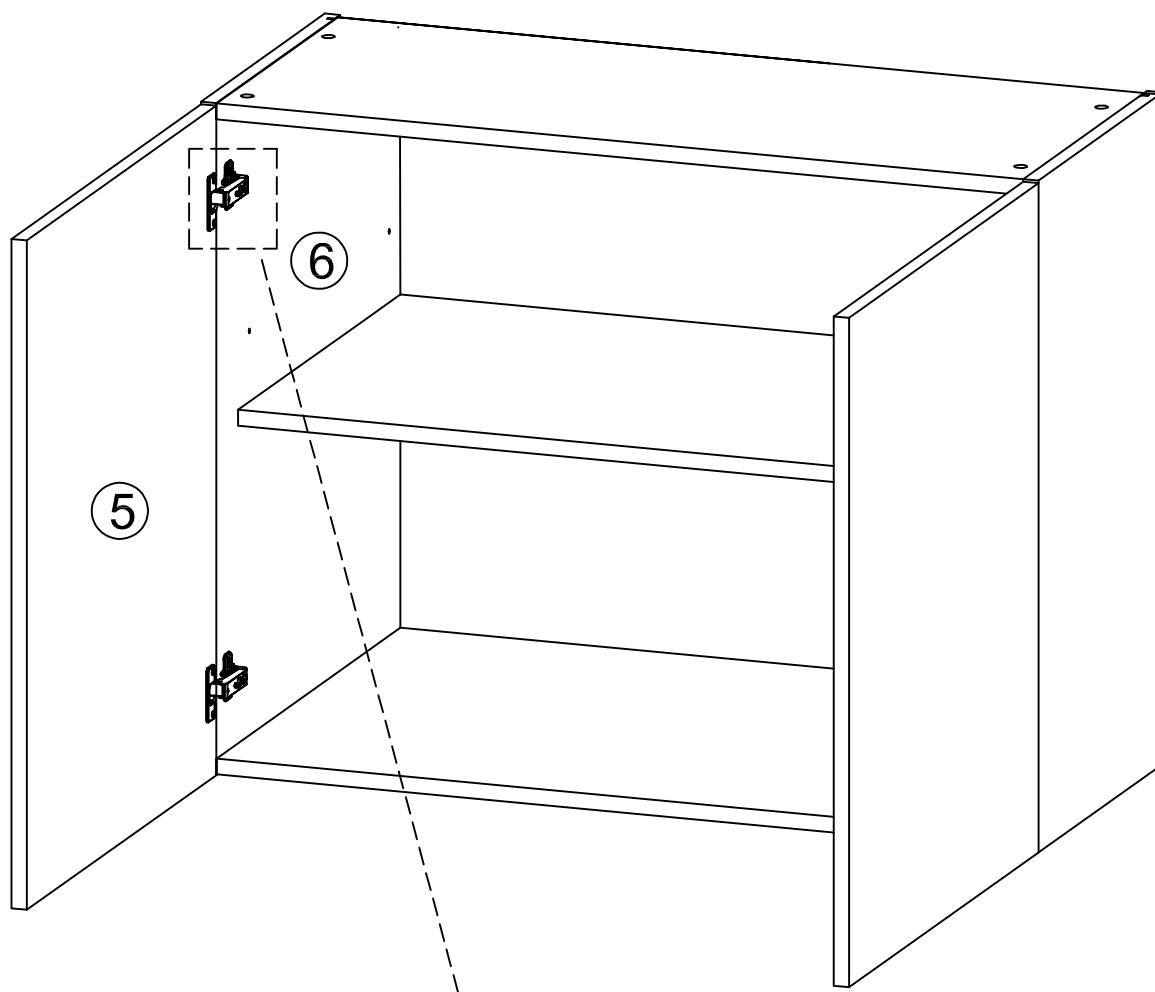
STEP.4- 01



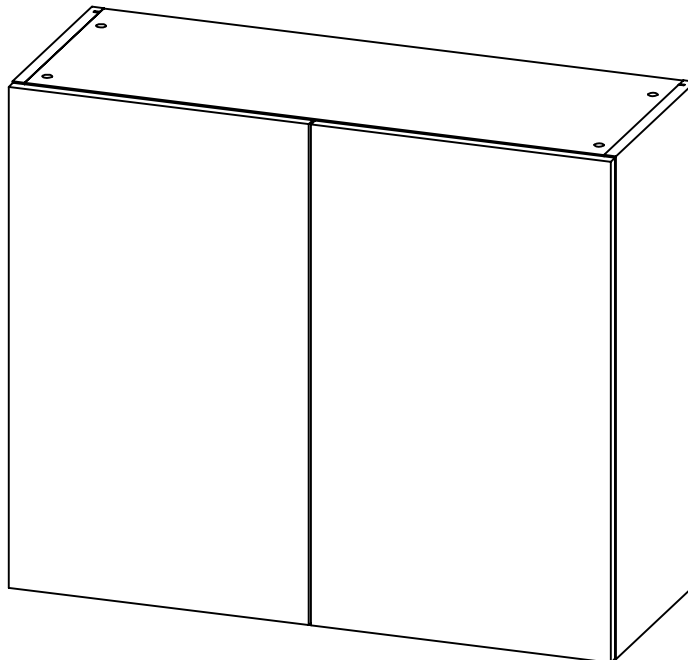
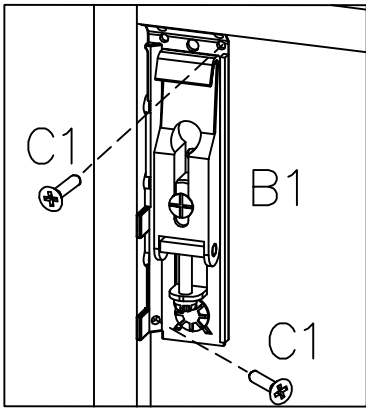
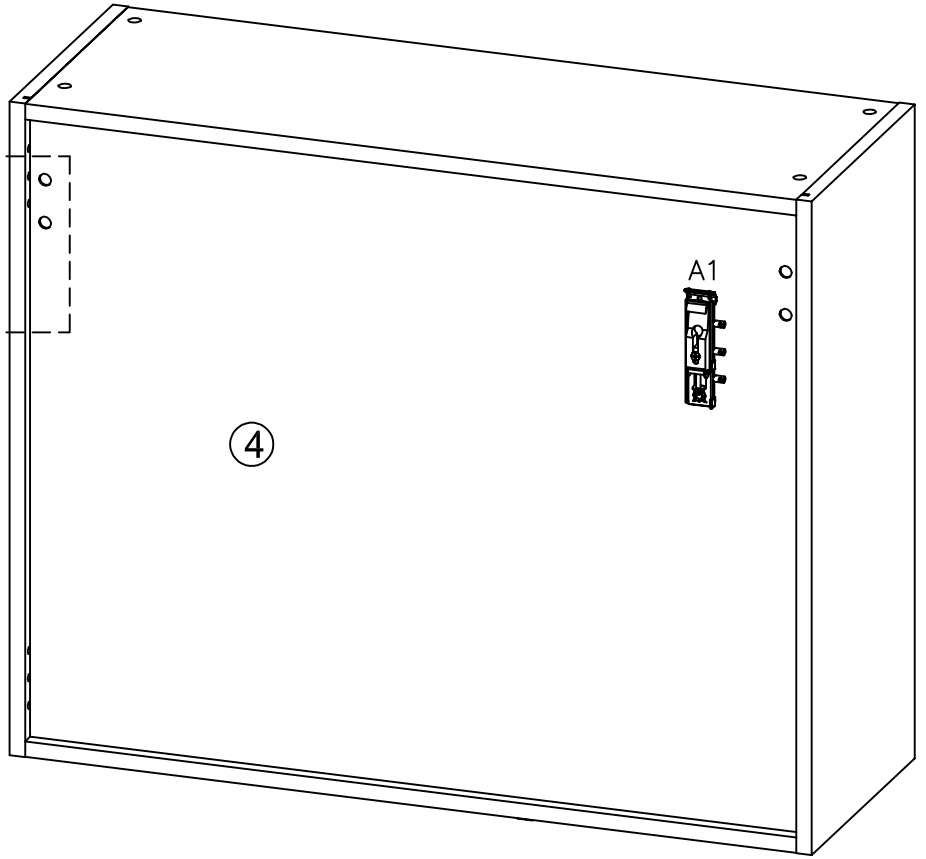
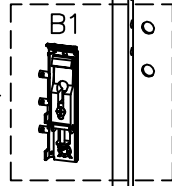
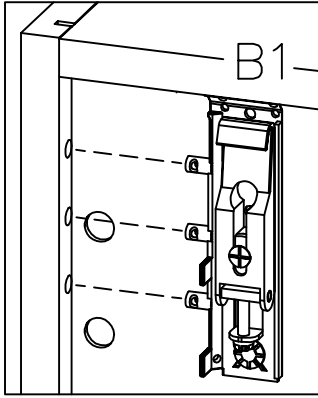
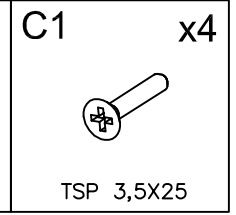
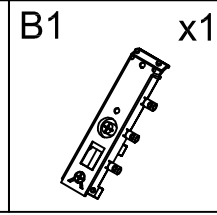
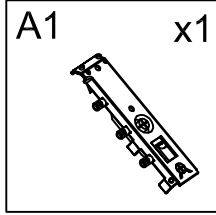
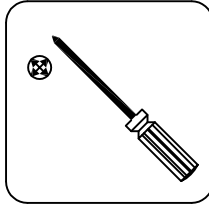
STEP.4- 02 x2

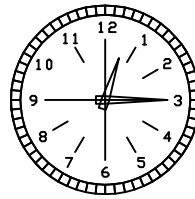
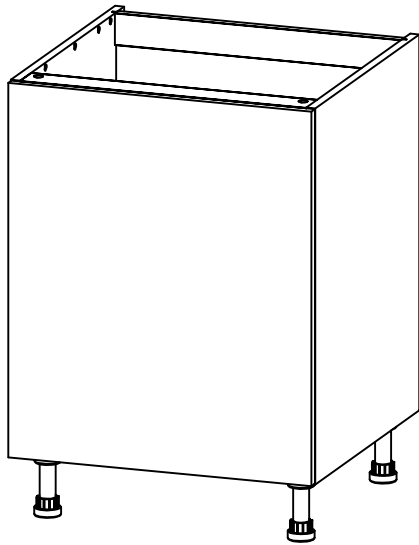


STEP.4- 03

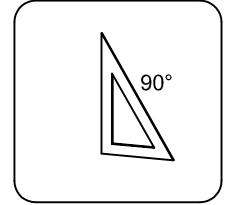
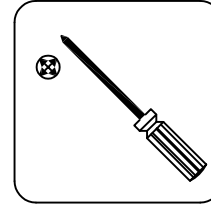
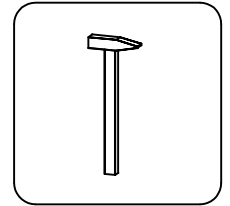
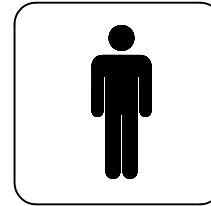


STEP.5- 01





15'



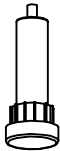
STEP.1_F712000001

8060000411

8060000412

Q x4

R x4



FN00000003K

STEP.2_FN00000003A

8140000013

8060000880

8060000439

8040001145

8040001144

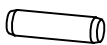
A x10

B x10

C x8

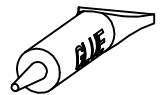
D x8

E x8



8230300014

P x1



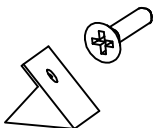
STEP.3_FN00000003B

8040000762

8060000156

L x10

G x8



STEP.4_FN00000003C

8040000392

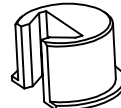
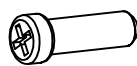
8040002001

8040002002

S x4

T x4

U x4



EURO 6,3X17

STEP.5_FN00000003D

8060000005

8060000010

M x24

N x2



TGS 3,5X15

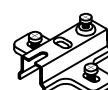
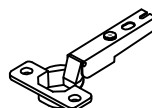
STEP.6_H000000139

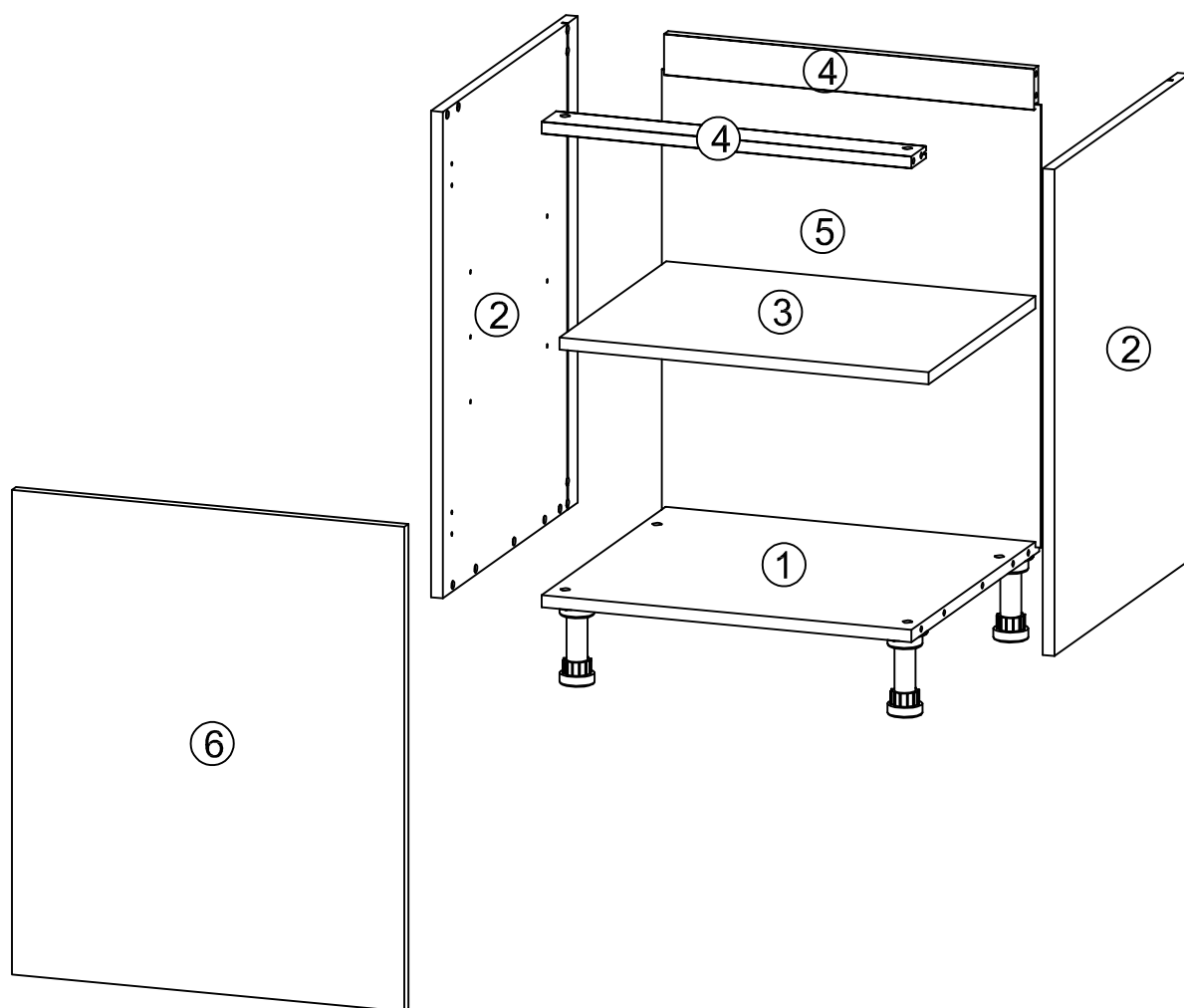
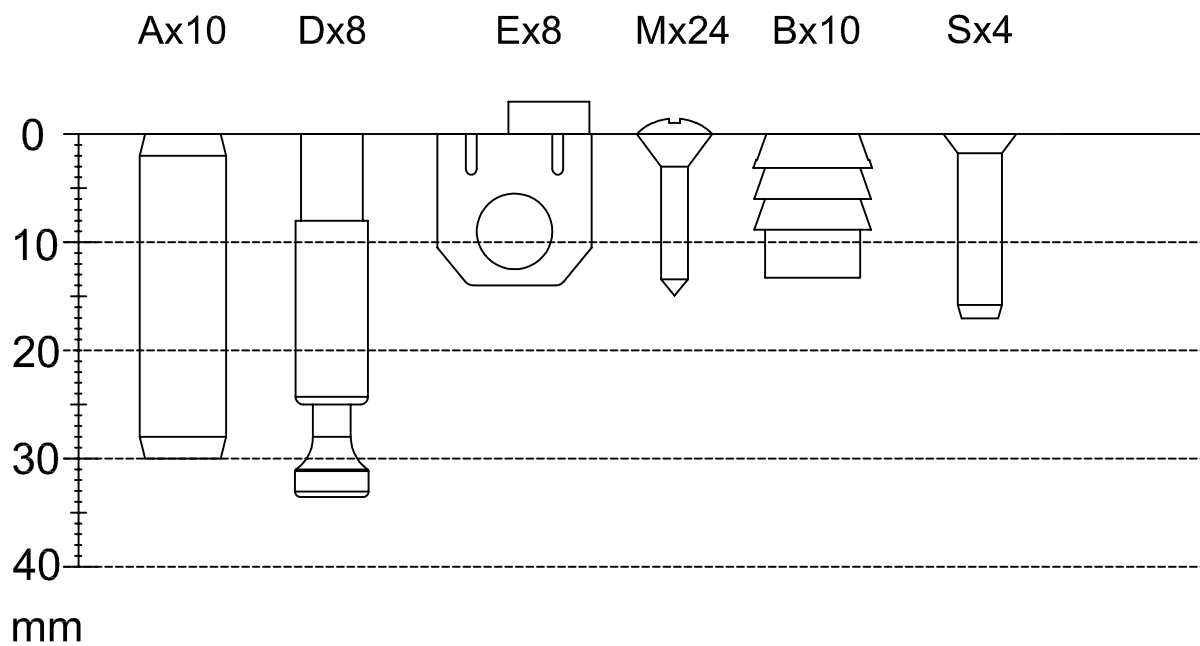
8040001375

8040001376

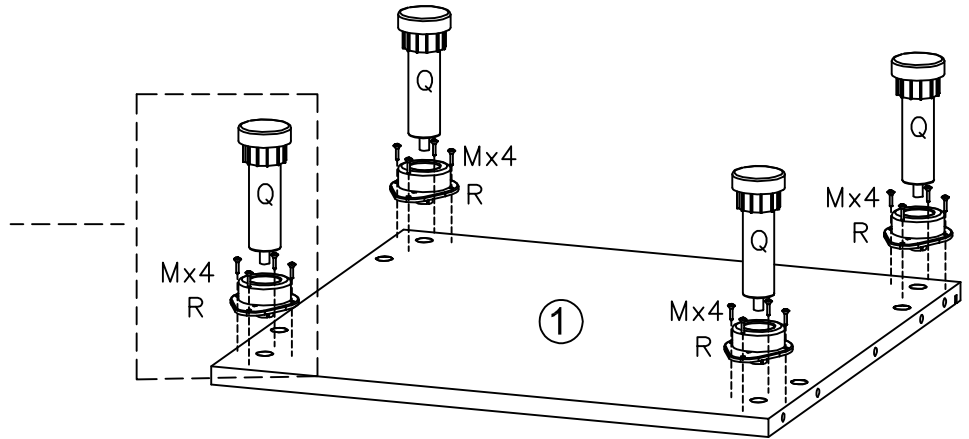
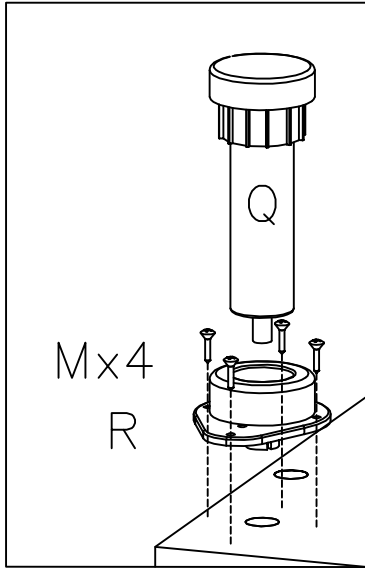
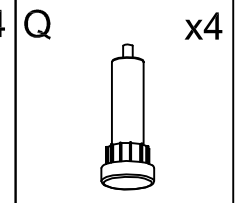
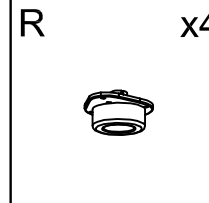
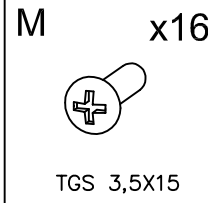
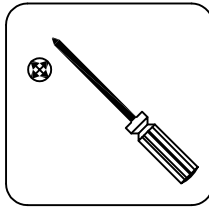
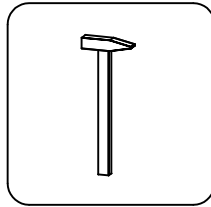
V x2

Z x2

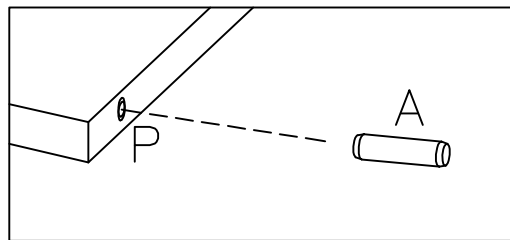
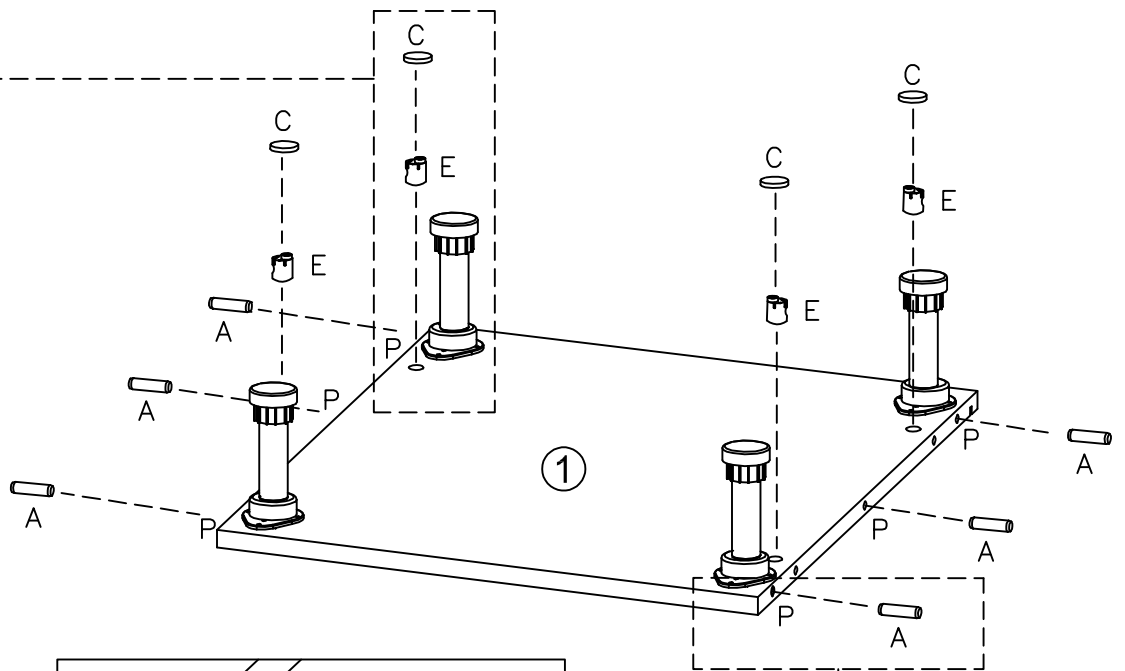
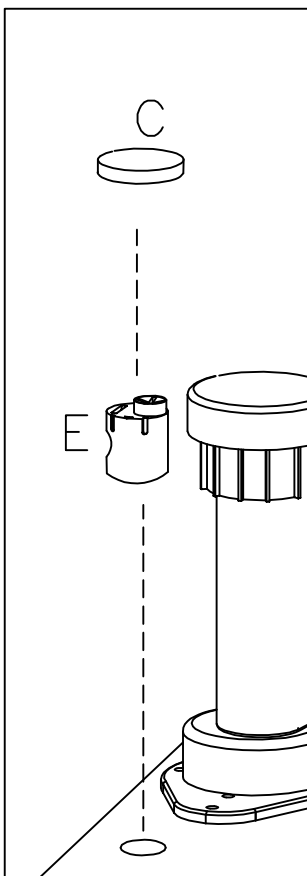
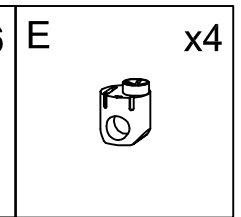
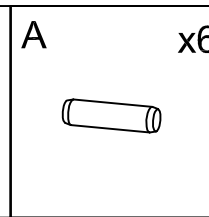
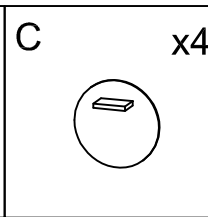
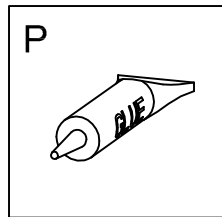




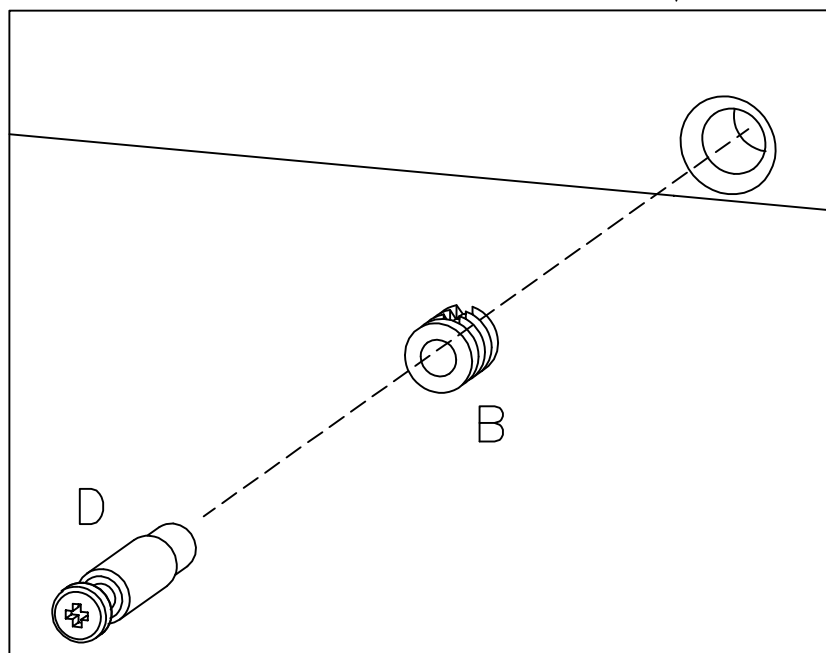
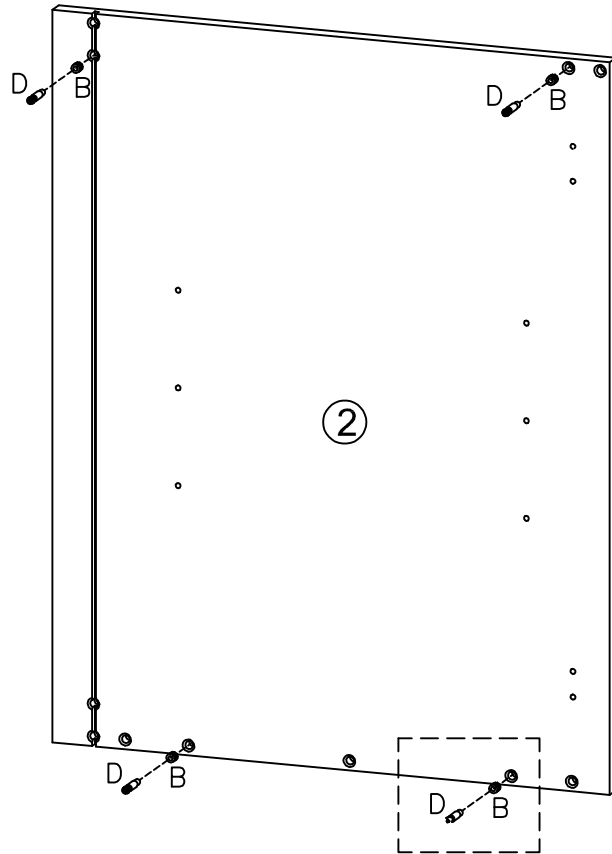
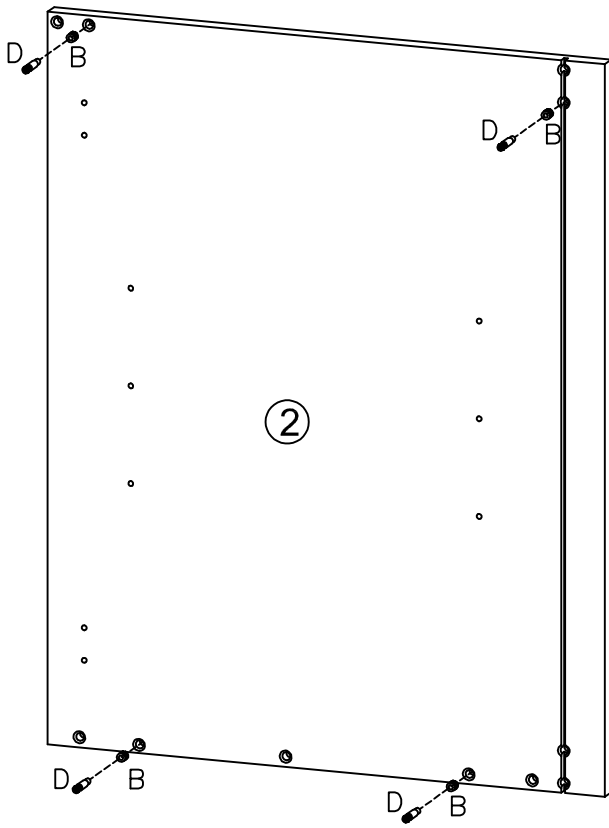
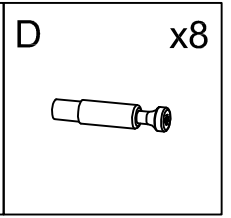
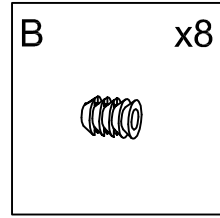
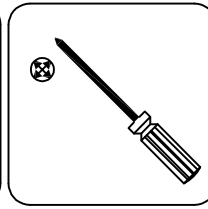
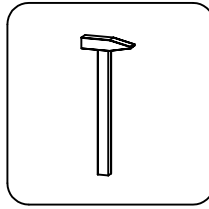
STEP.1- 01



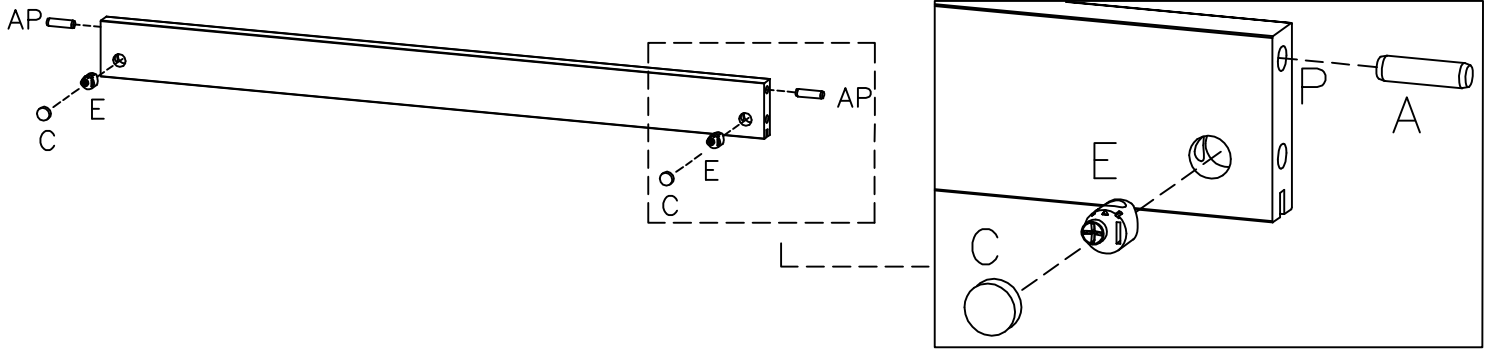
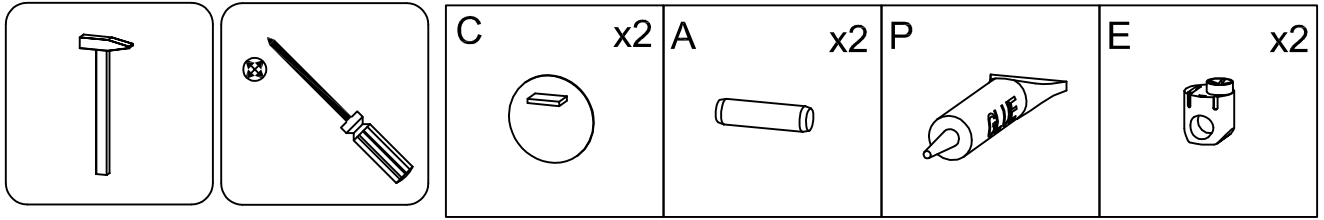
STEP.2- 01



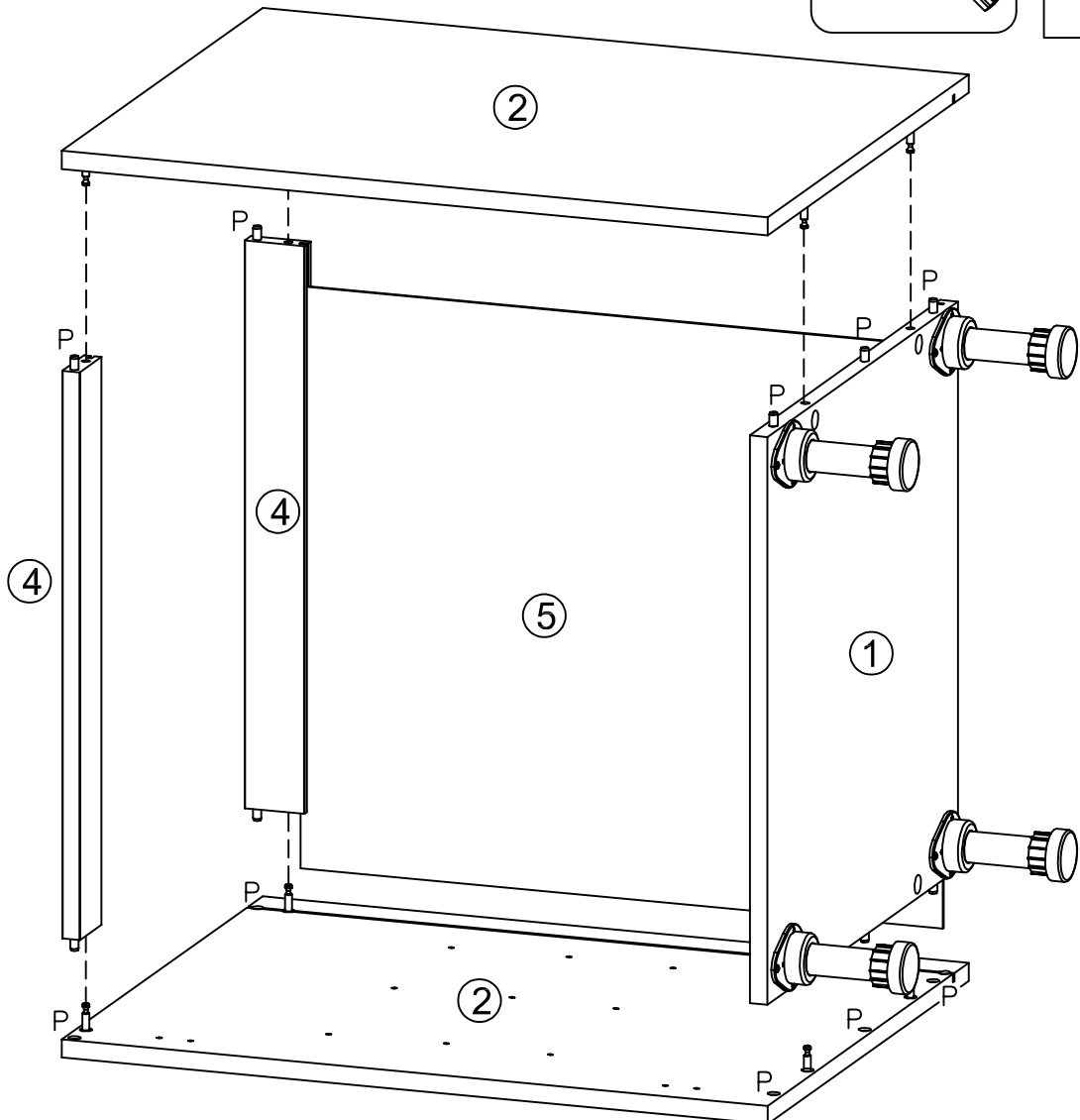
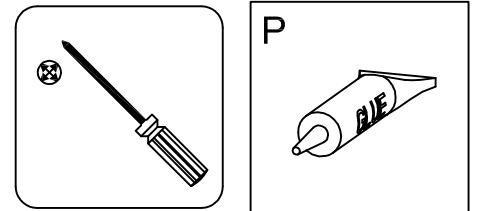
STEP.2- 02



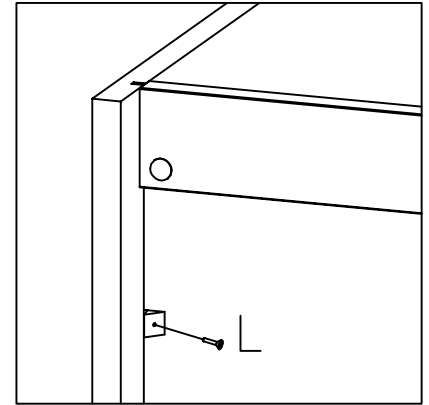
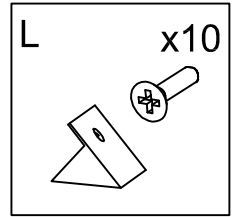
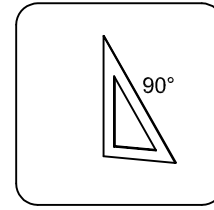
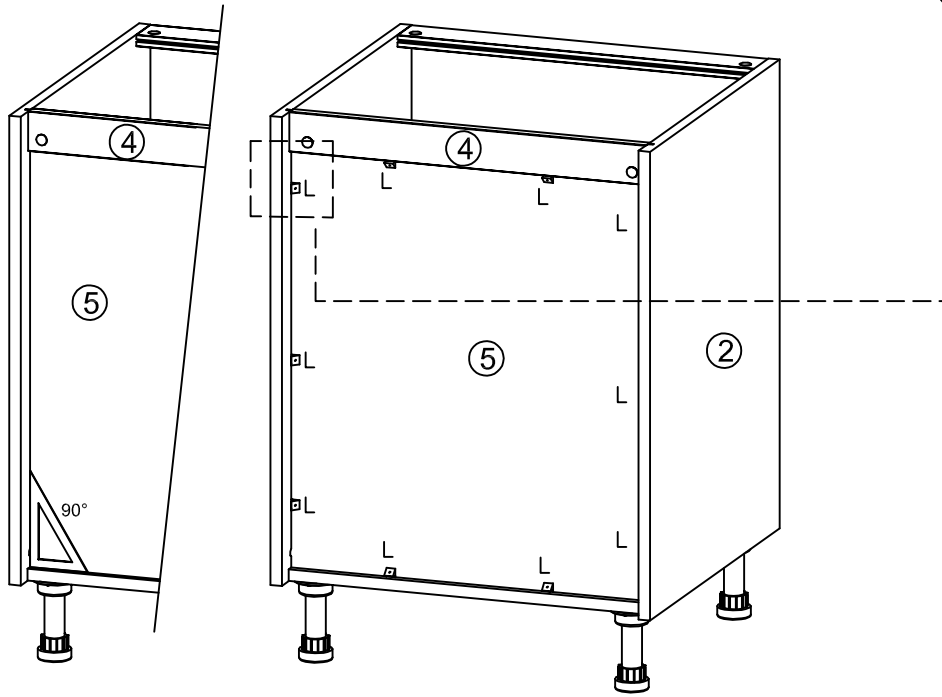
STEP.2- 03 X2



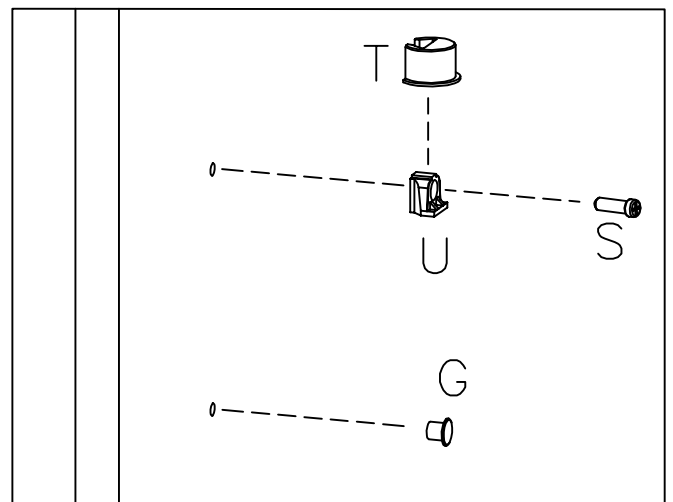
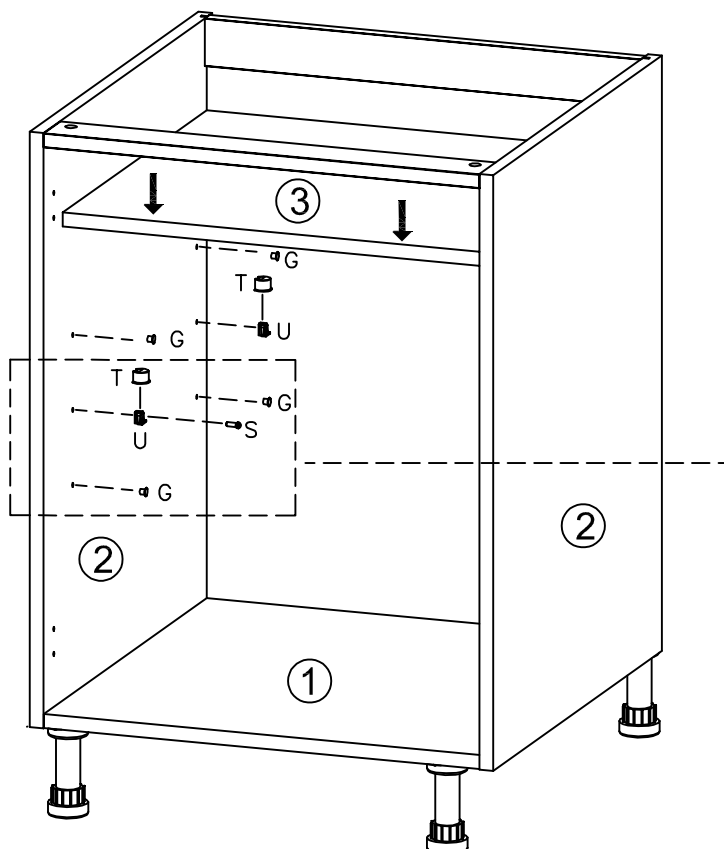
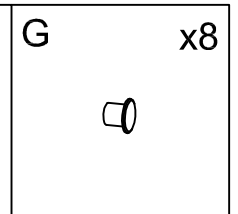
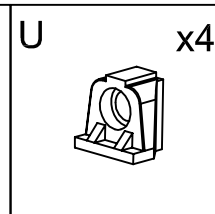
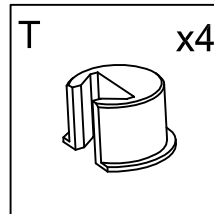
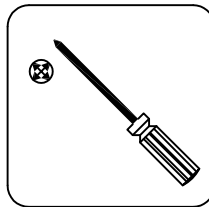
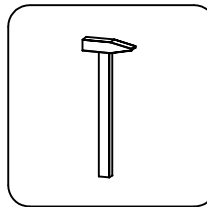
STEP.2- 04



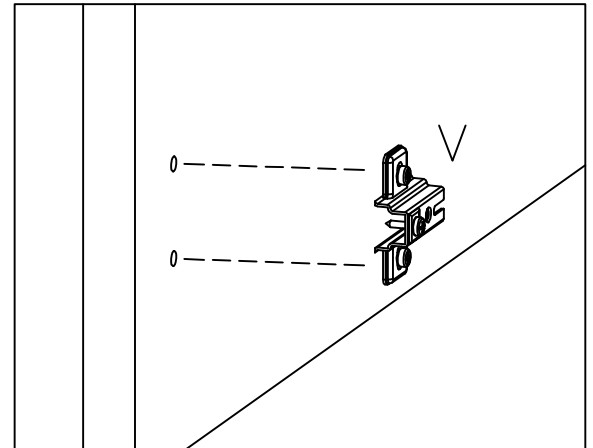
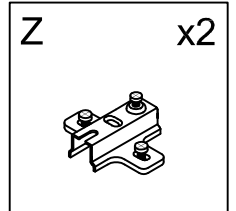
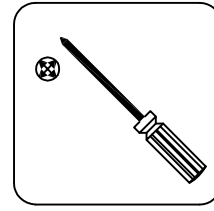
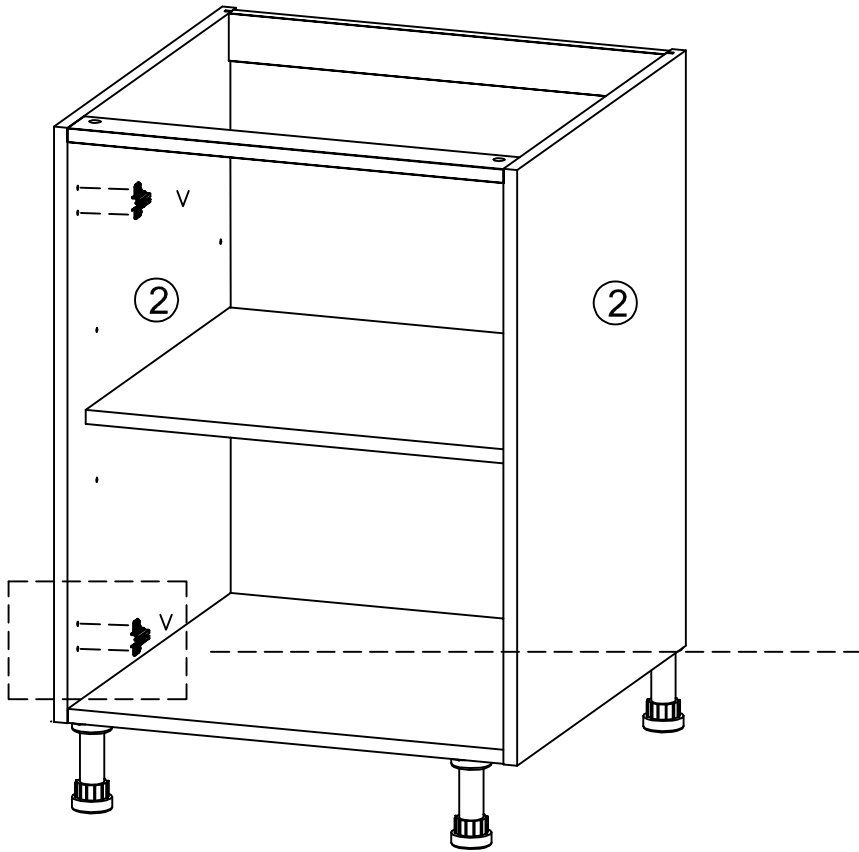
STEP.3- 01



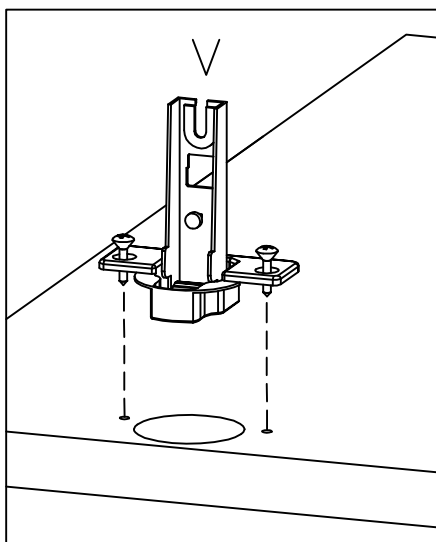
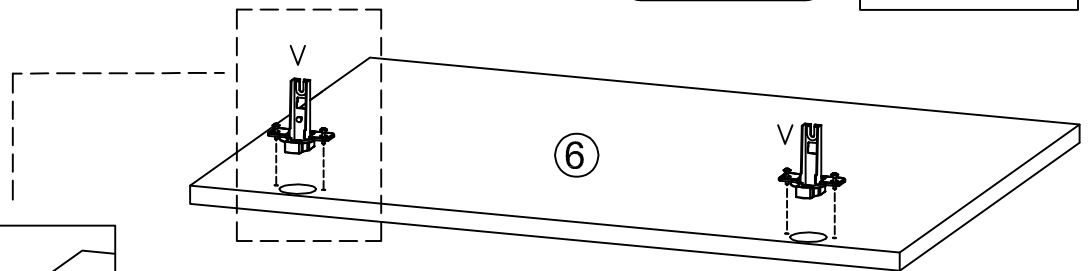
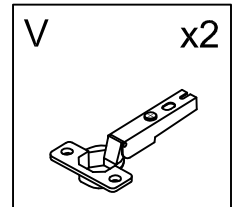
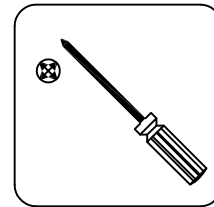
STEP.4- 01



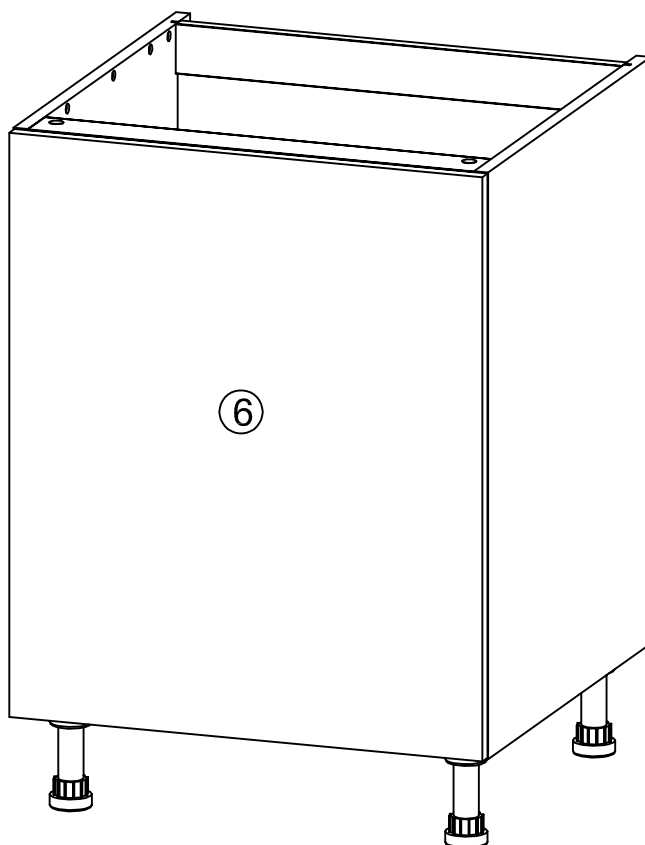
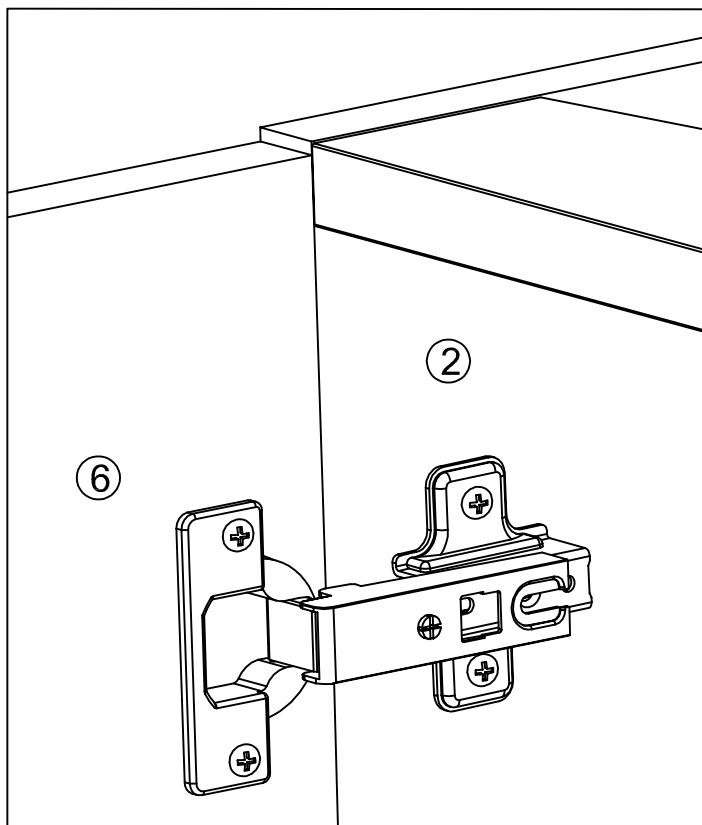
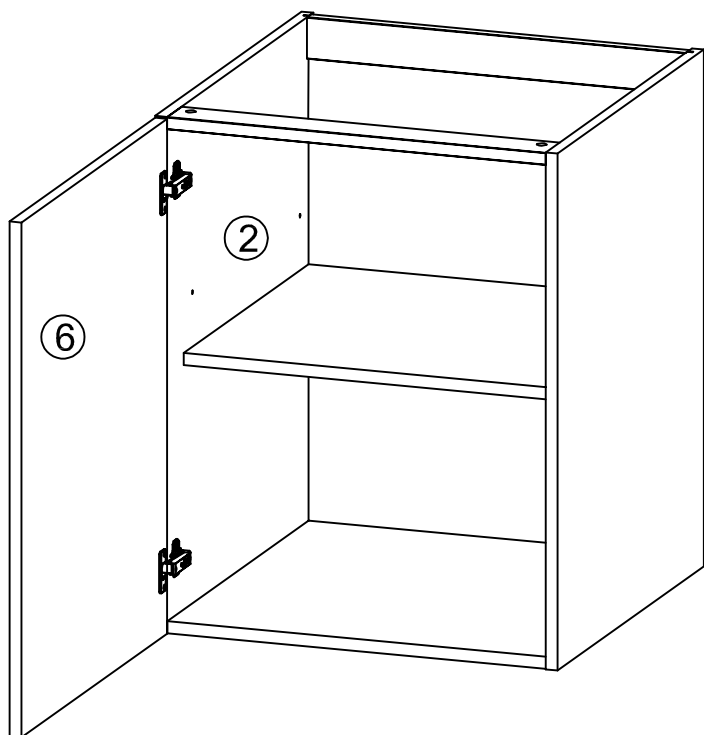
STEP.6- 01

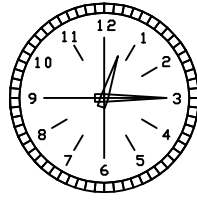
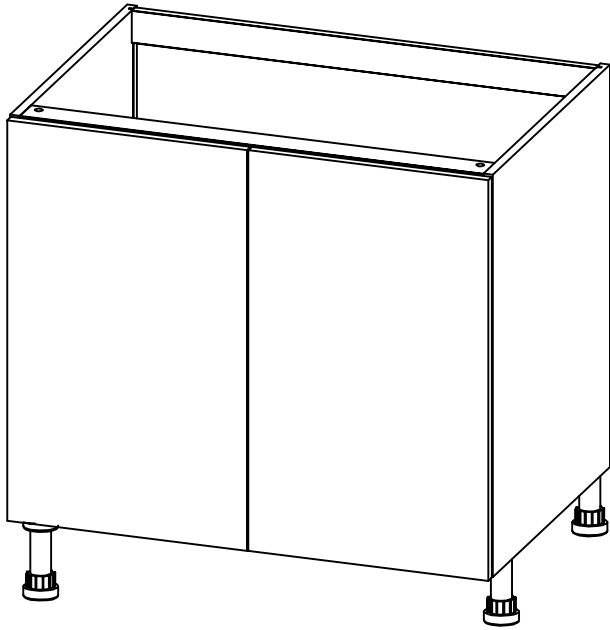


STEP.6- 02

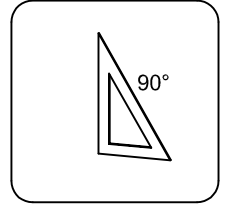
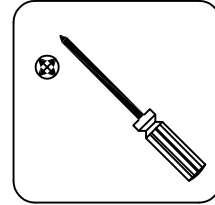
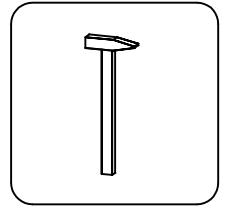
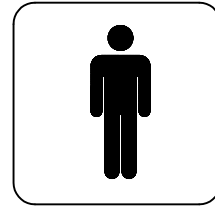


STEP.7- 01





15'



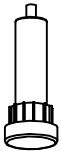
STEP.1_F712000001

8060000411

8060000412

Q x4

R x4



FN00000004K

STEP.2_FN00000004A

8140000013

8060000880

8060000439

8040001145

8040001144

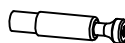
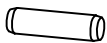
A x10

B x10

C x8

D x8

E x8



8230300014

P x1



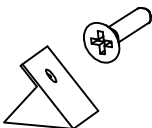
STEP.3_FN00000004B

8040000762

8060000156

L x10

G x8



STEP.4_FN00000004C

8040000392

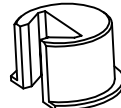
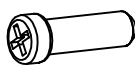
8040002001

8040002002

S x4

T x4

U x4



EURO 6,3X17

STEP.5_FN00000004D

8060000005

8060000010

M x24

N x2



TGS 3,5X15

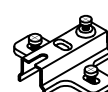
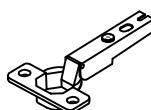
STEP.6_H000000140

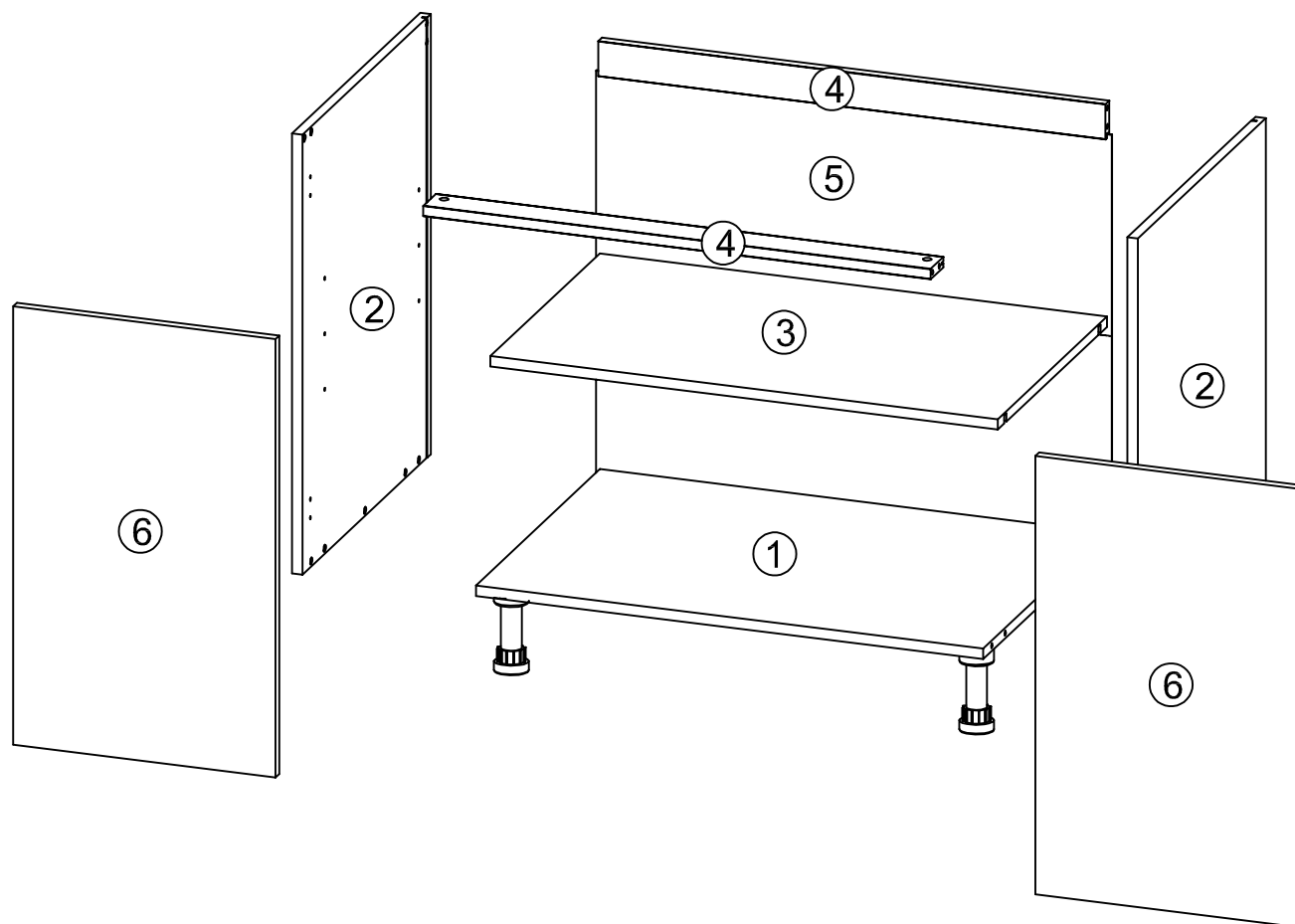
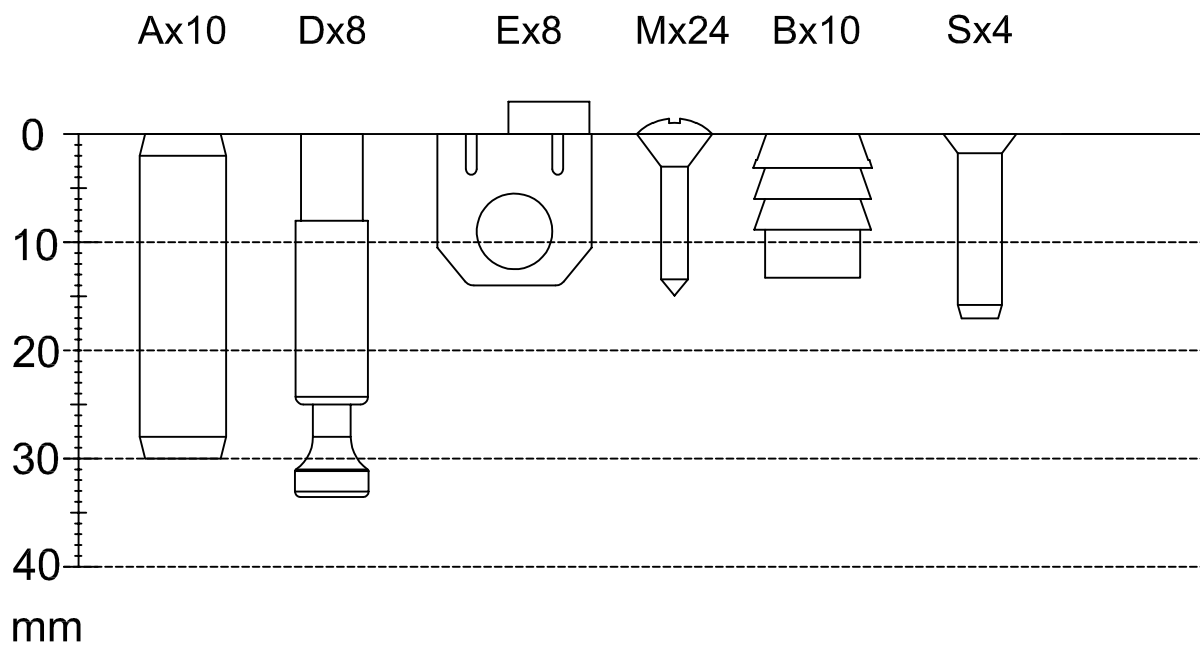
8040001375

8040001376

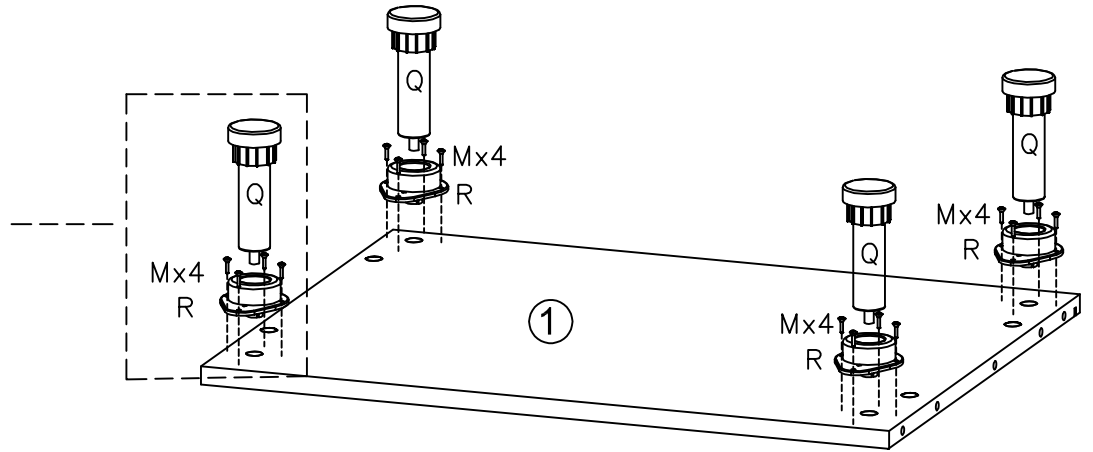
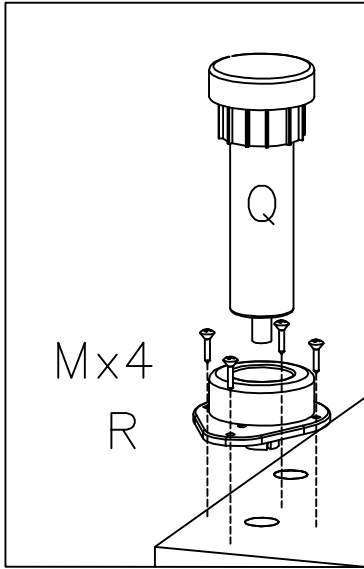
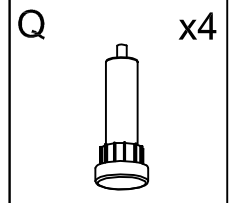
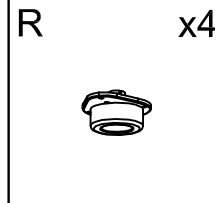
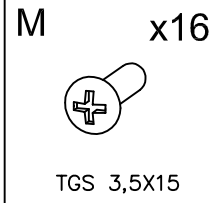
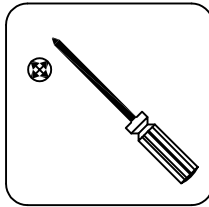
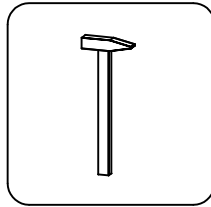
V x4

Z x4

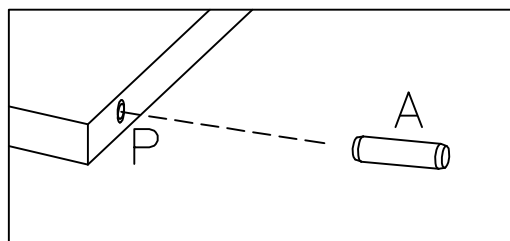
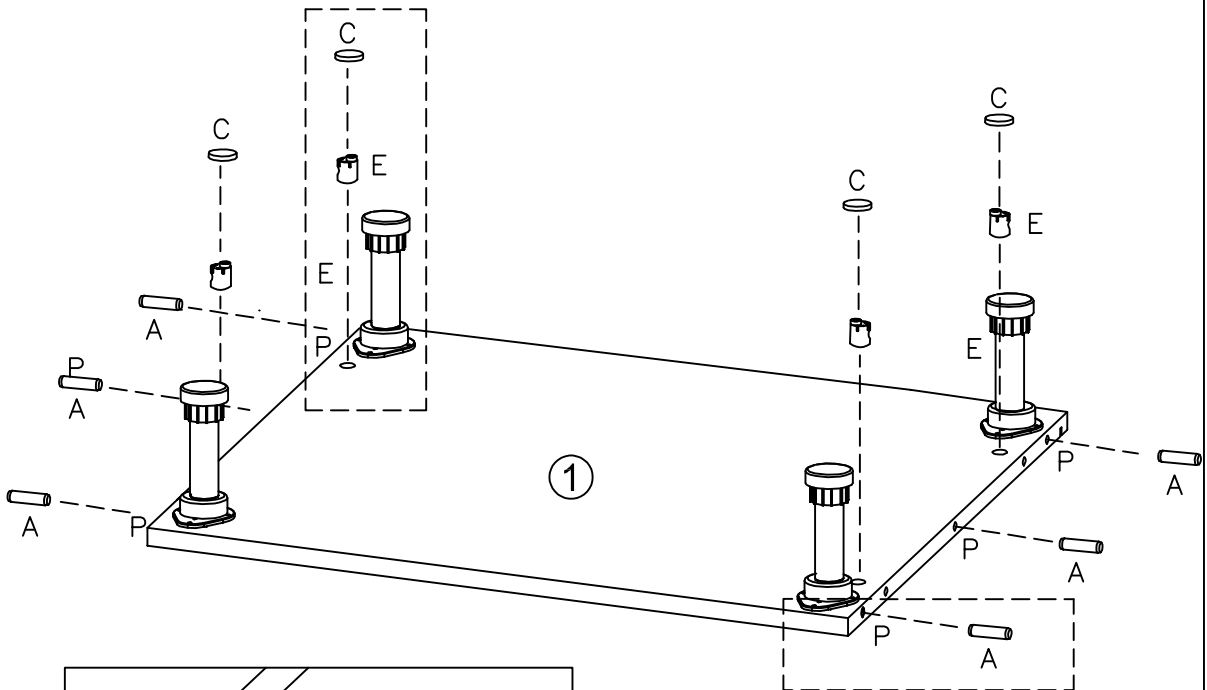
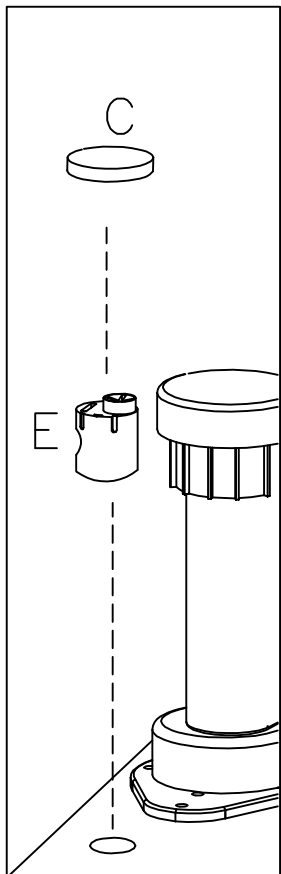
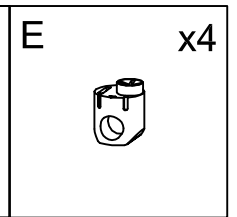
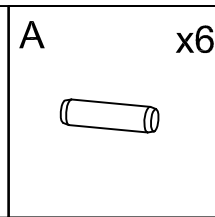
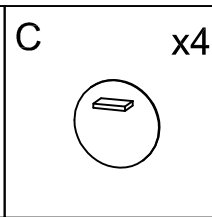
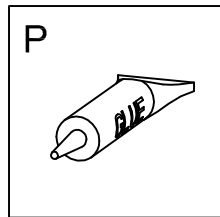




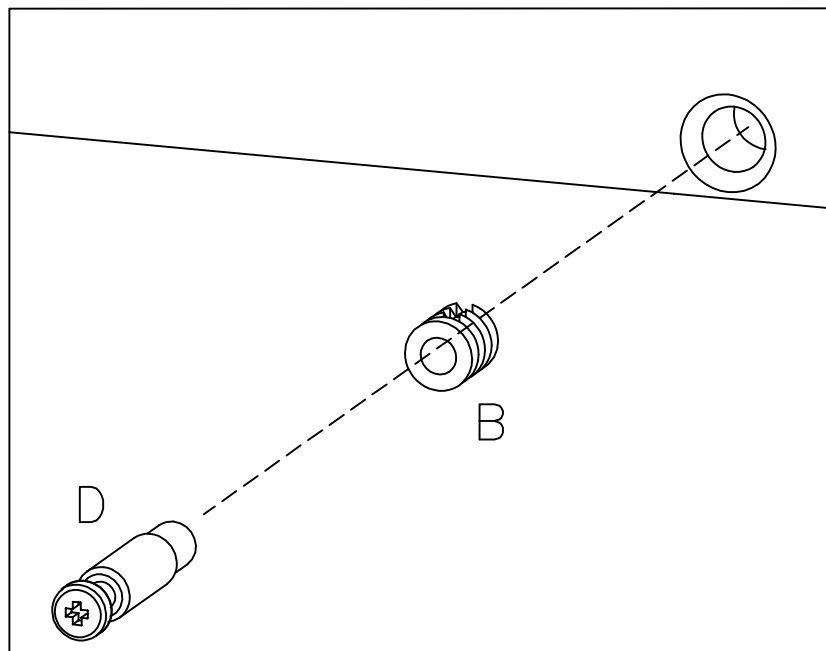
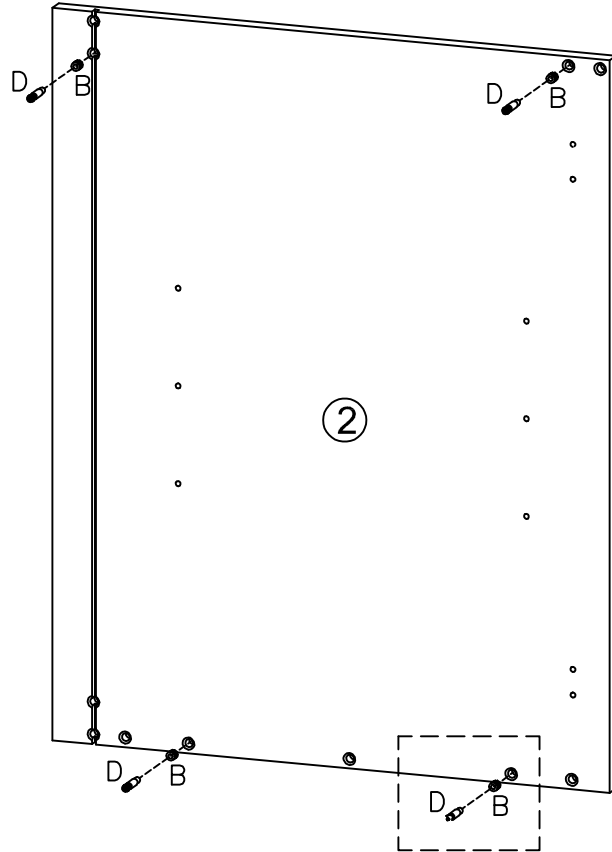
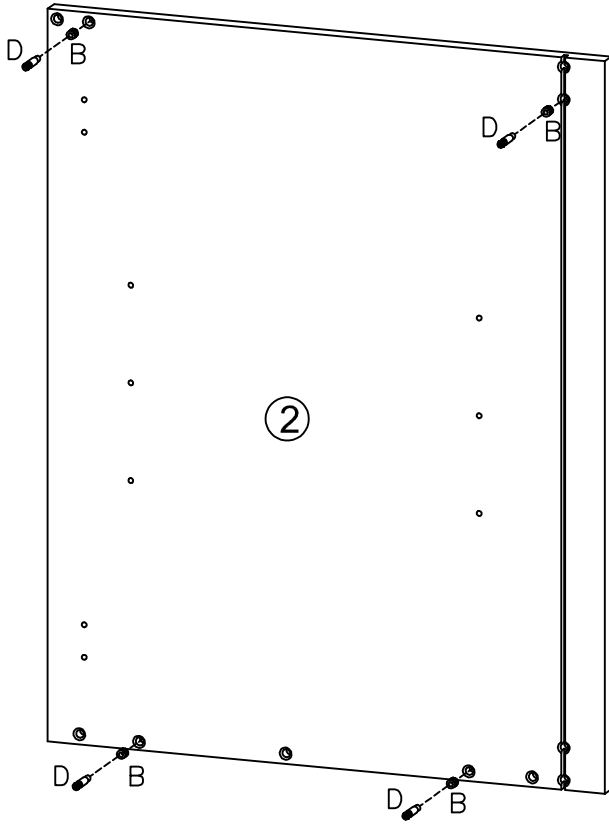
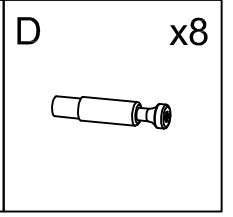
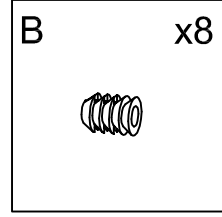
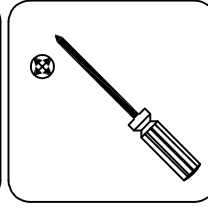
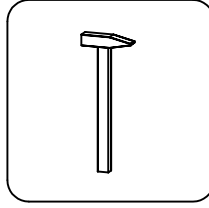
STEP.1- 01



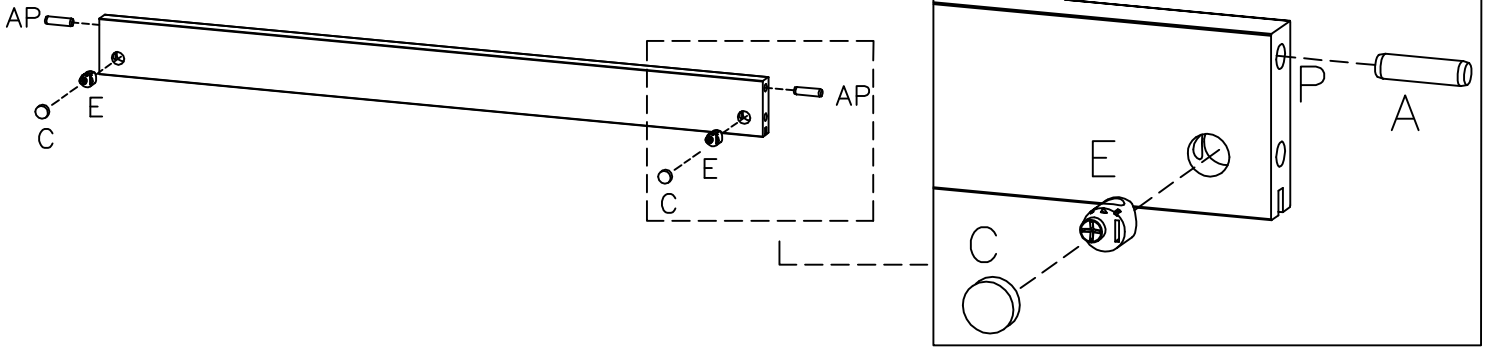
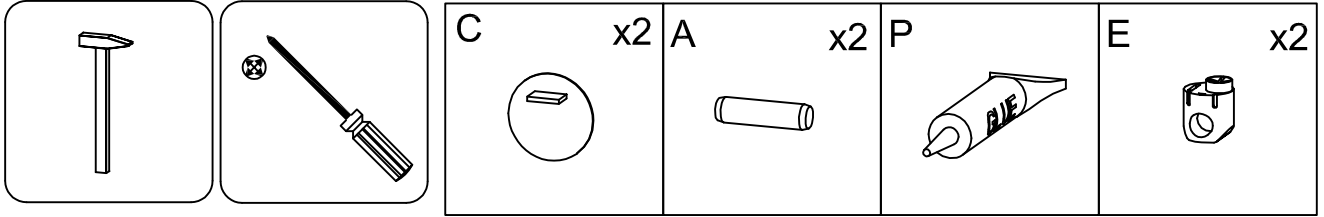
STEP.2- 01



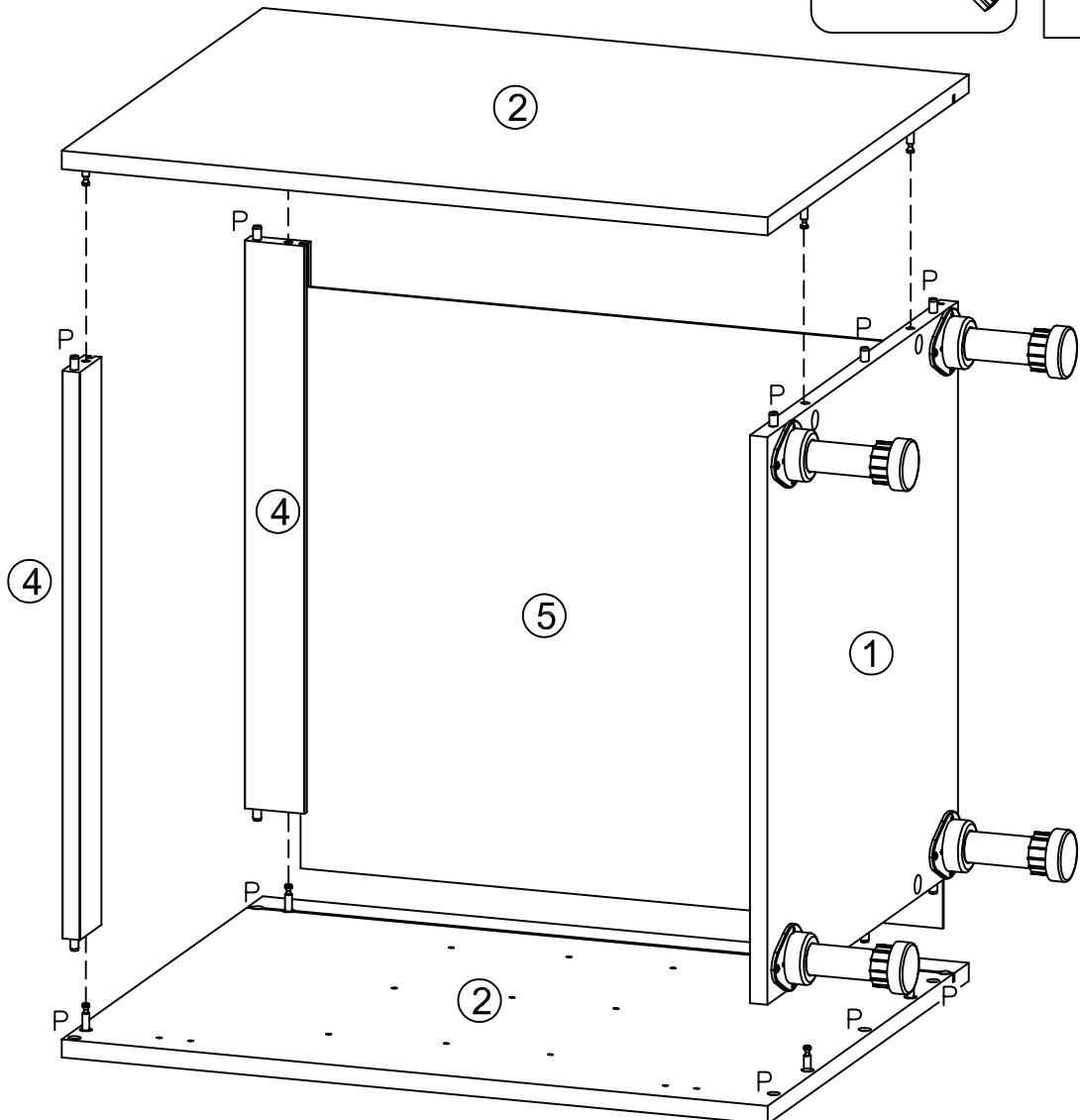
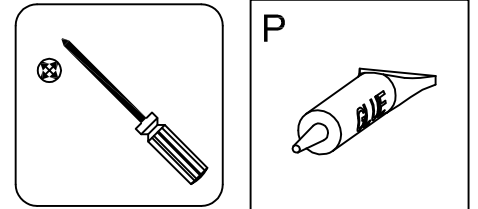
STEP.2- 02



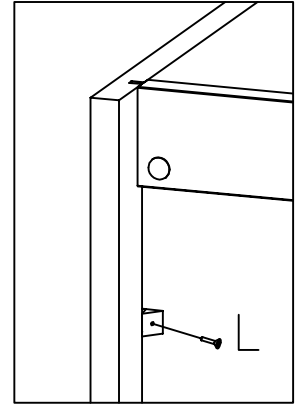
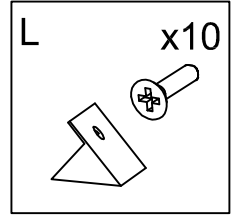
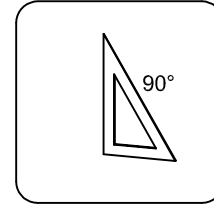
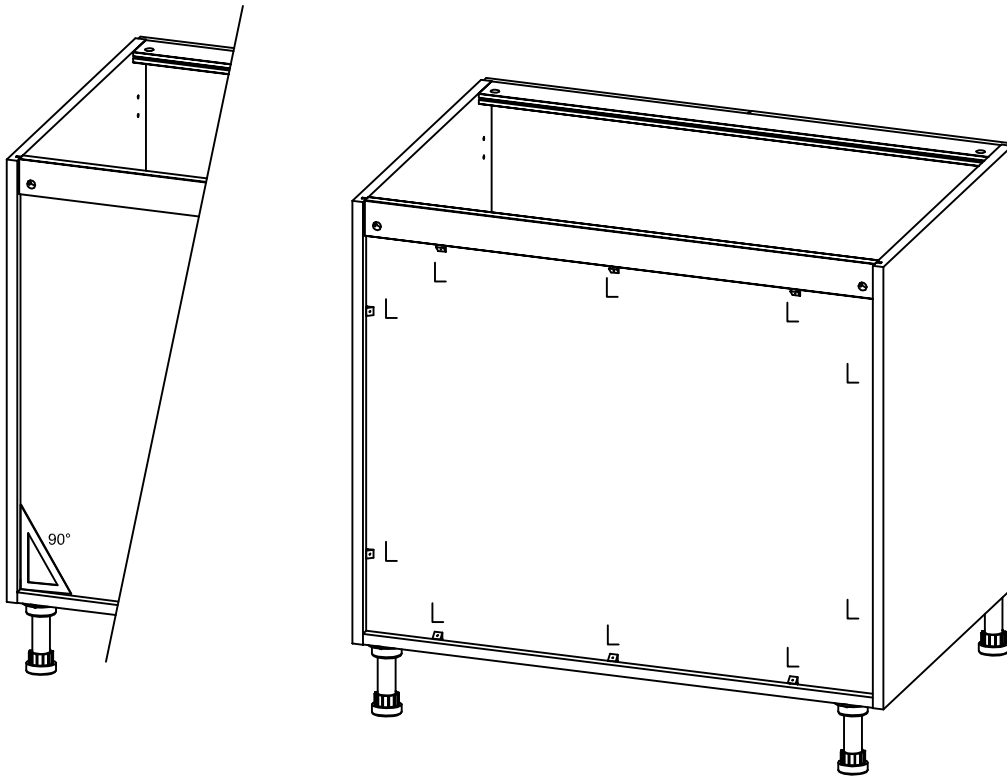
STEP.2- 03 X2



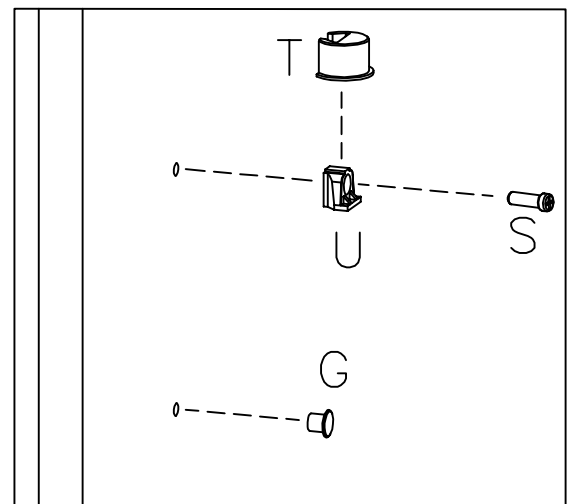
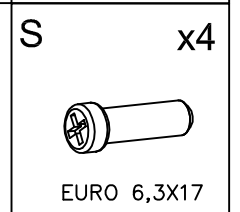
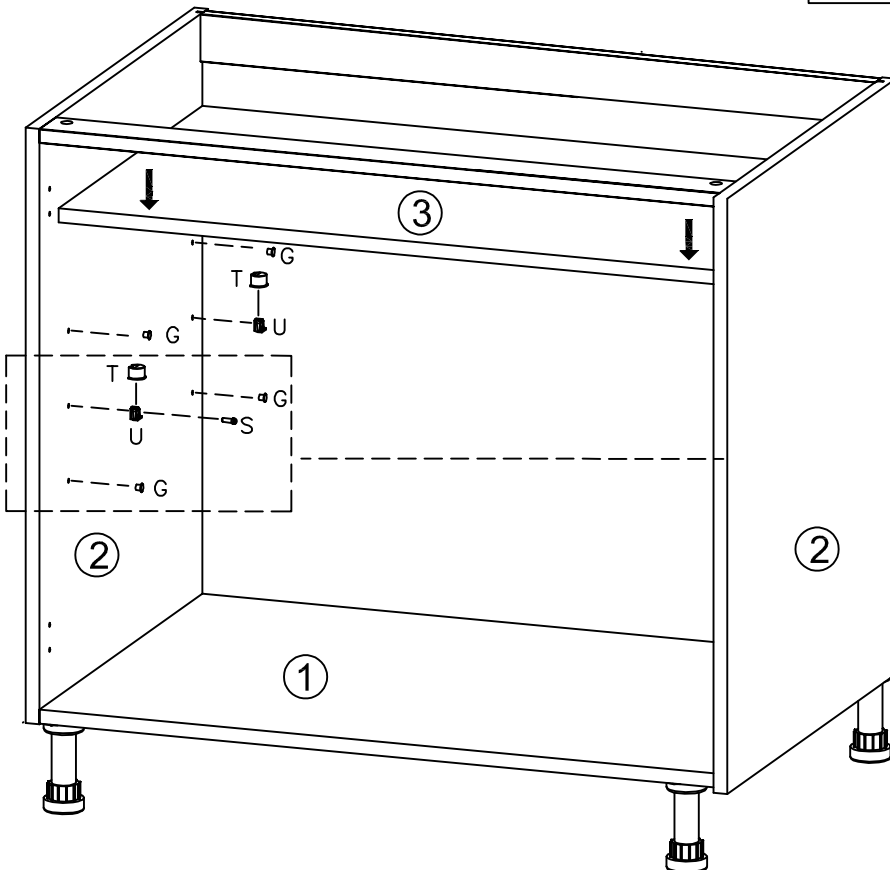
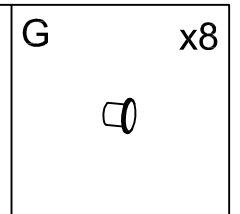
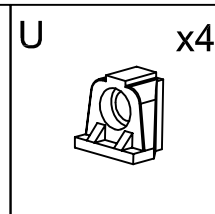
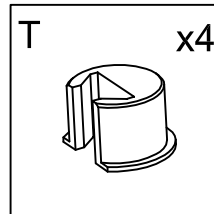
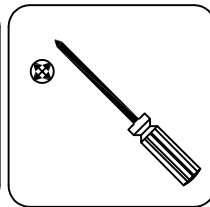
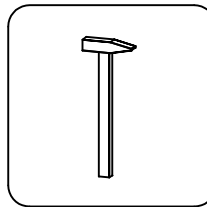
STEP.2- 04



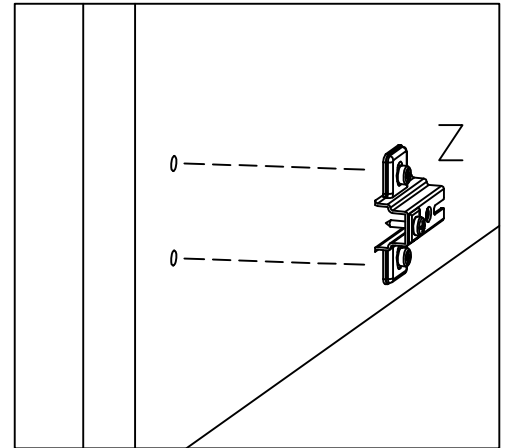
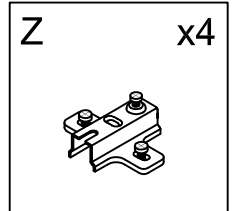
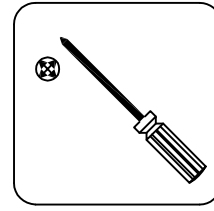
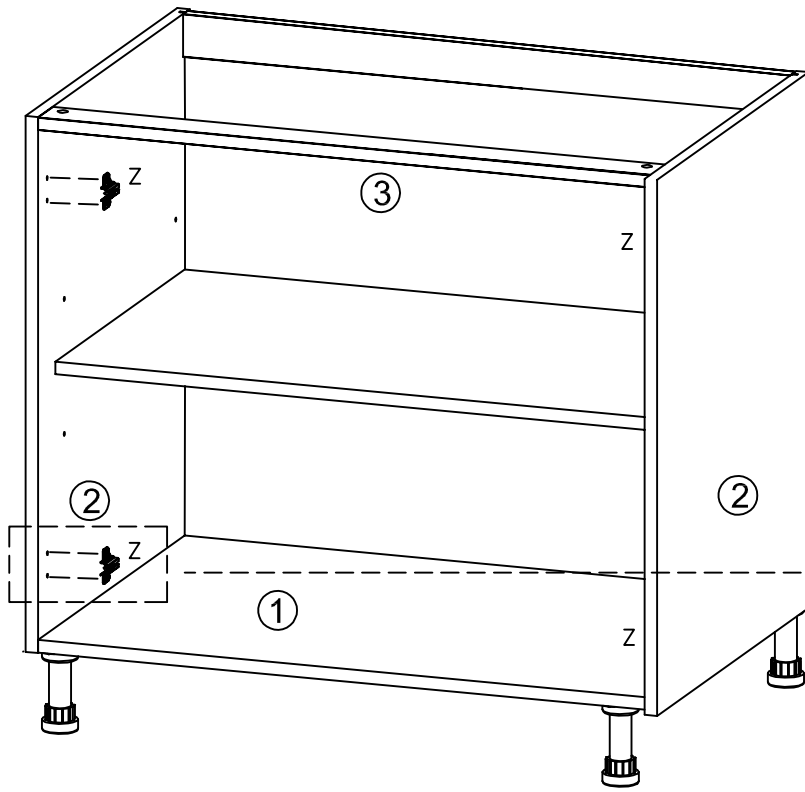
STEP.3- 01



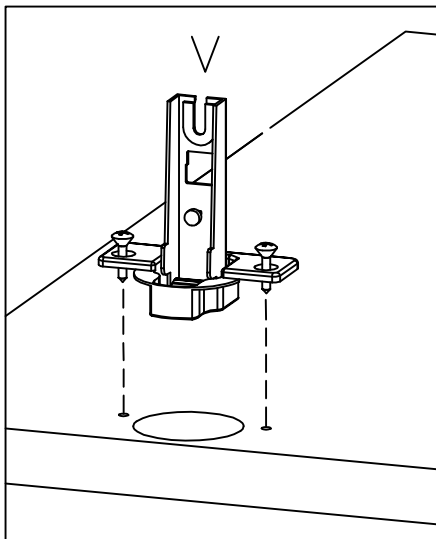
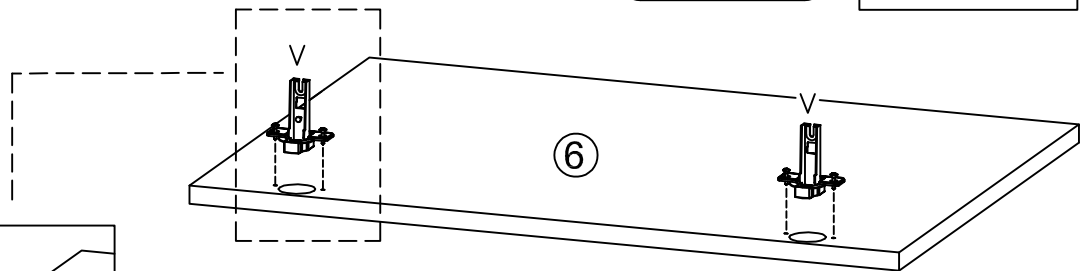
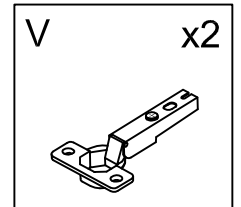
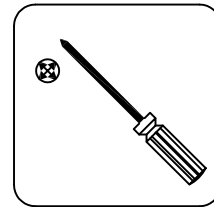
STEP.4- 01



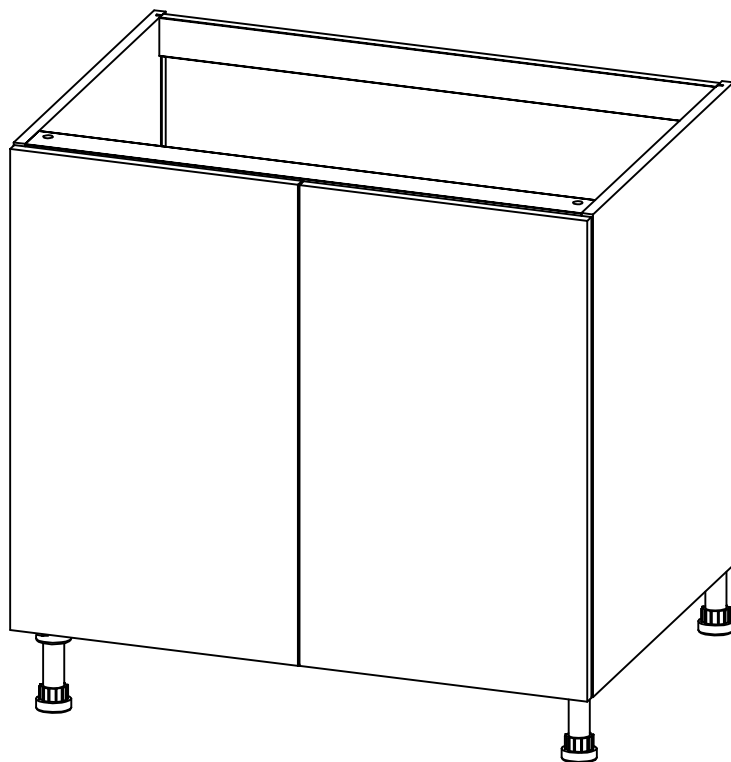
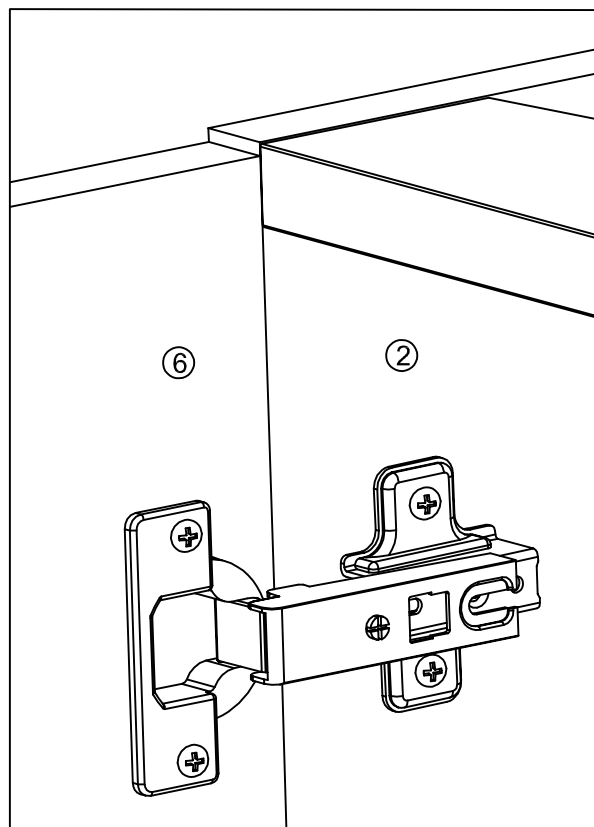
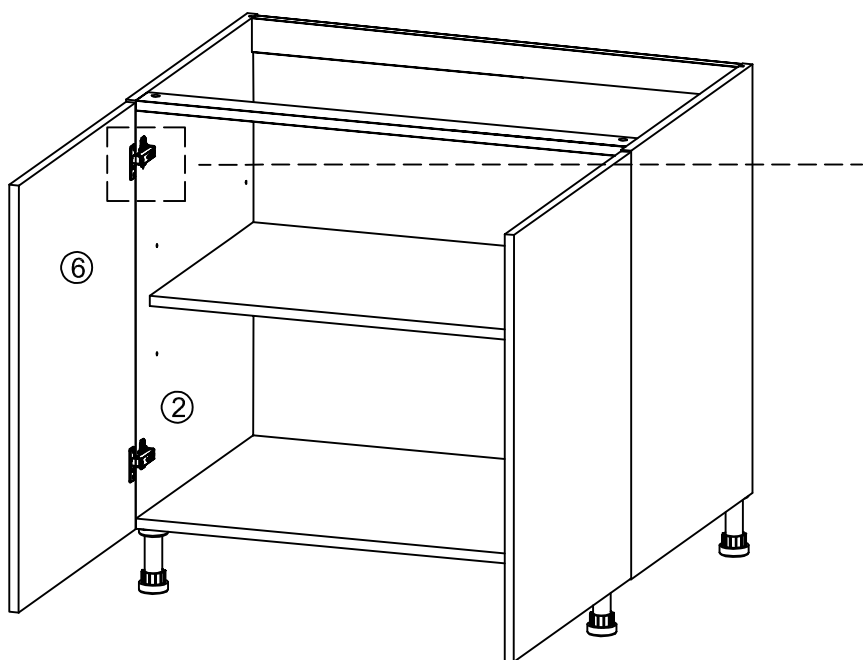
STEP.6- 01

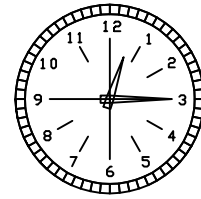
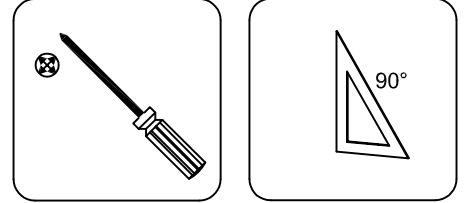
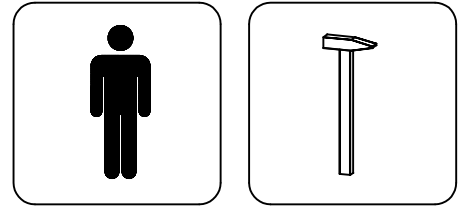
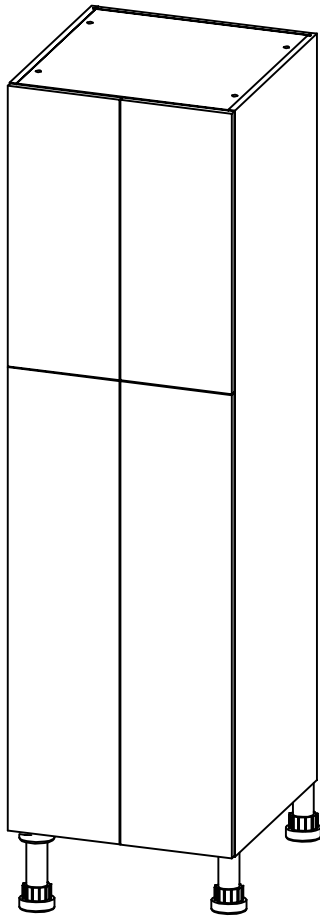


STEP.6- 02 X2



STEP.7- 01





30'

STEP.1_F712000001			
8060000411	8060000412		
Q	x4	R	x4

STEP.5_H000000140			
8040001375	8040001376		
V	x4	Z	x4

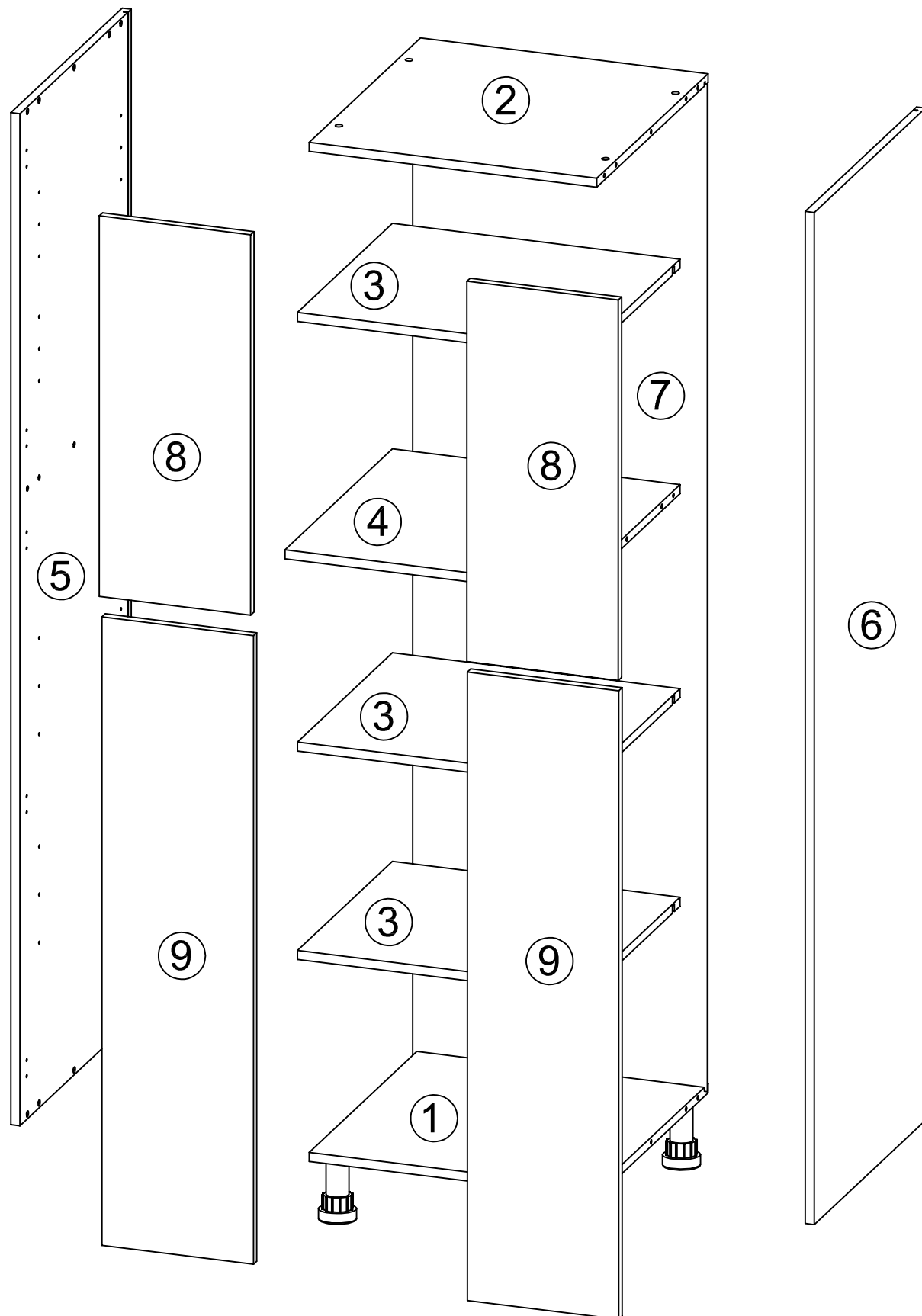
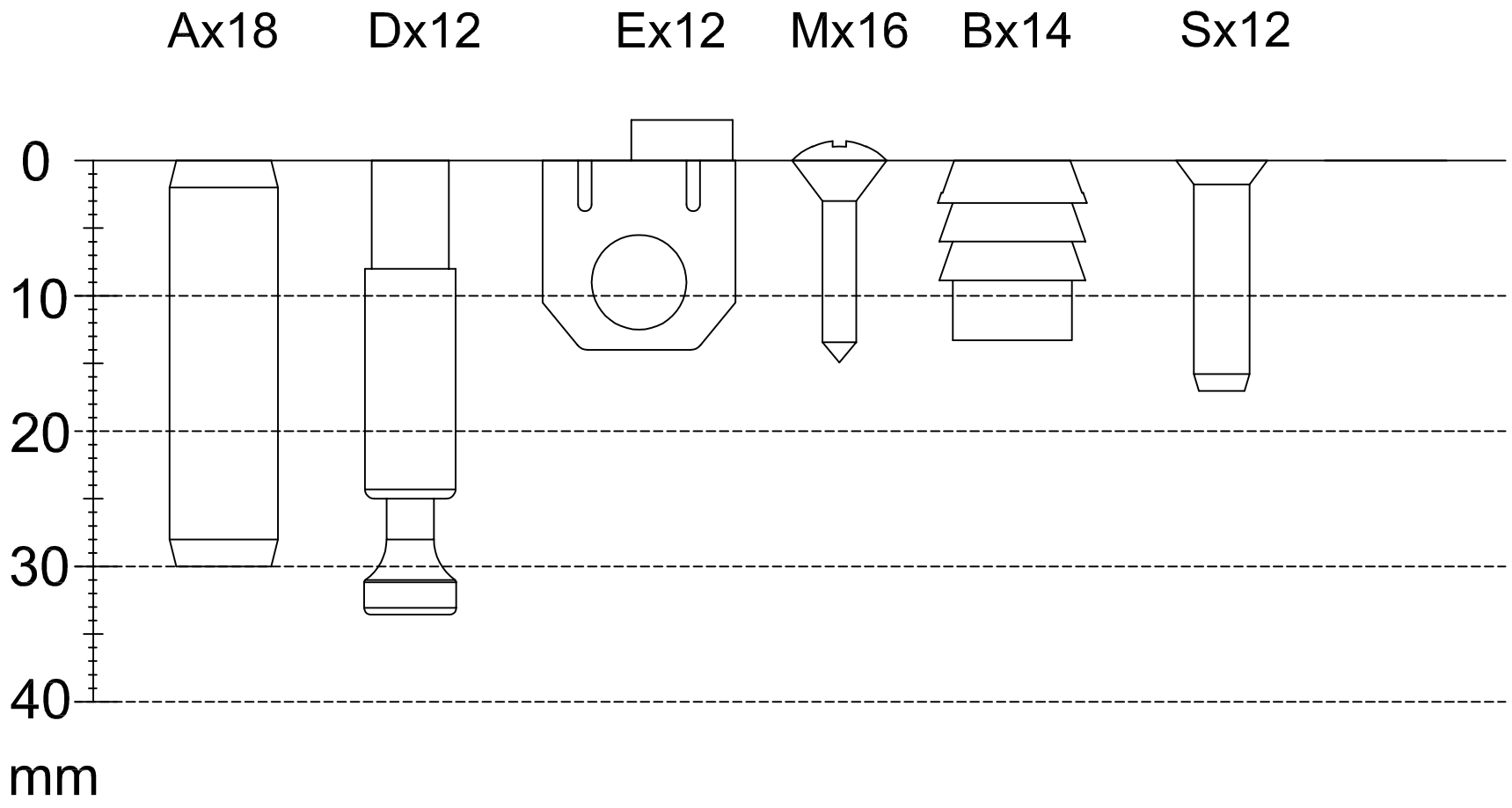
STEP.5_H000000141 X2			
8040001375	8040001376		
V	x3	Z	x3

FN00000005K									
STEP.2_FN00000005A									
8140000013	8060000880	8060000439	8040001145	8040001144					
A	x18	B	x14	C	x12	D	x12	E	x12

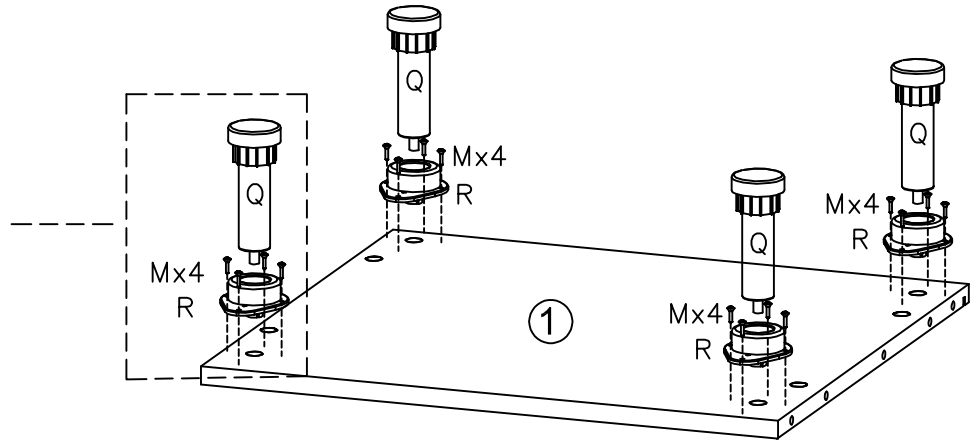
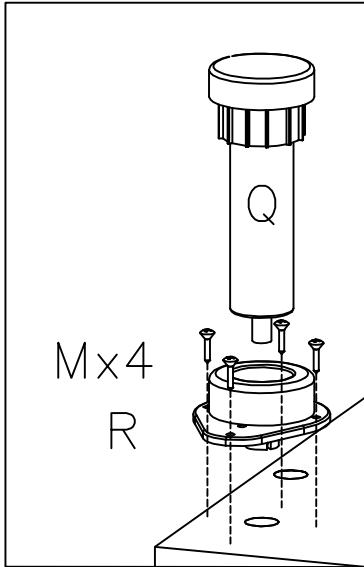
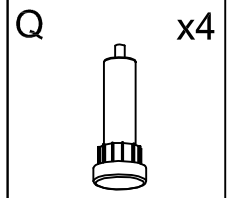
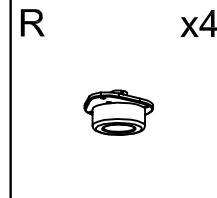
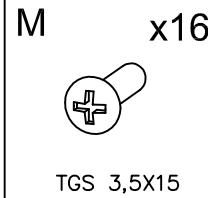
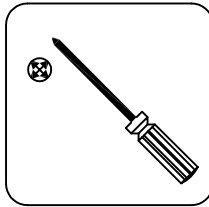
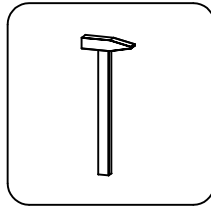
8230300014	
P	x1

STEP.3_FN00000005B					
8040000762	8060000156	8040000005			
L	x10	G	x34	M	x16
				TGS 3,5X15	

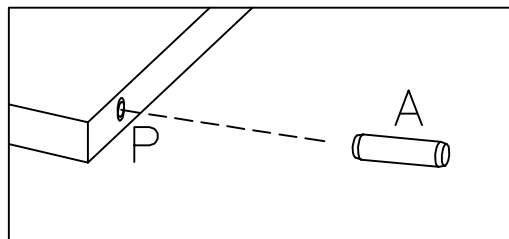
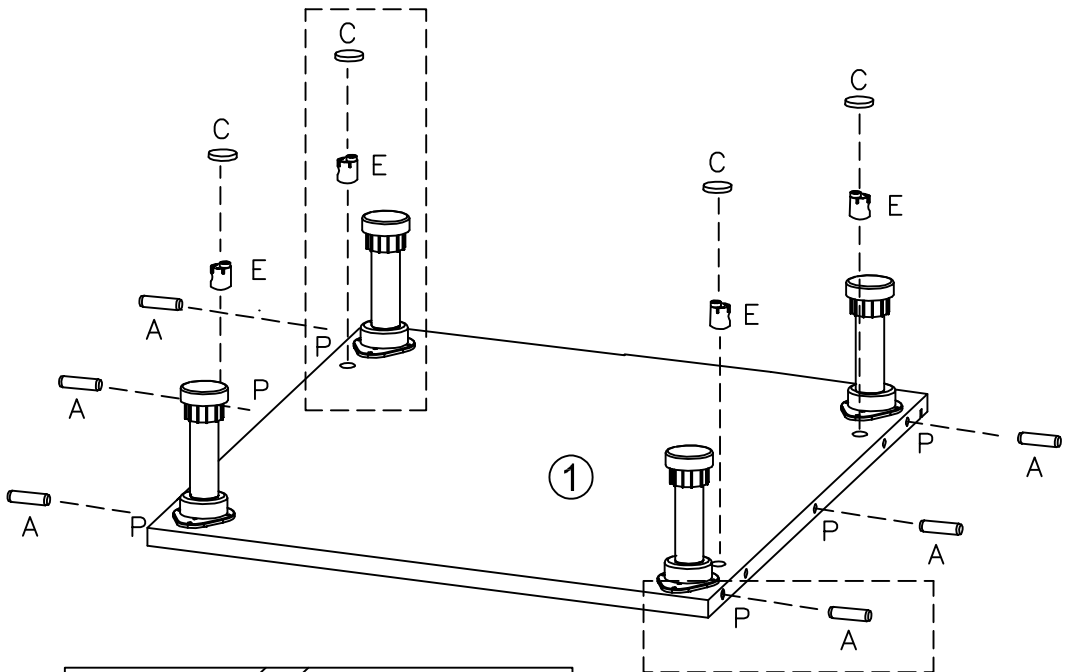
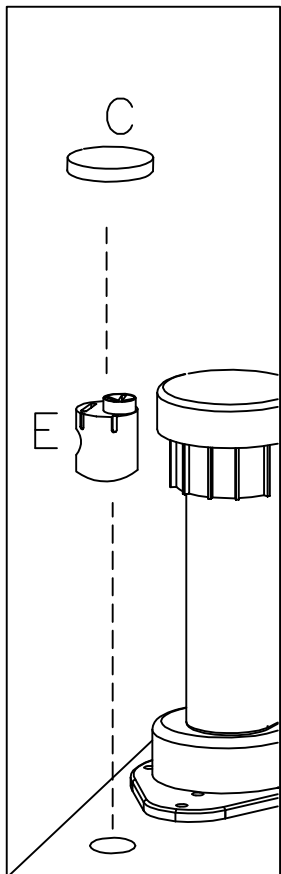
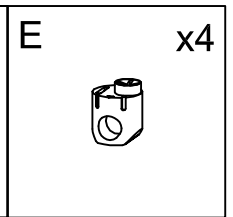
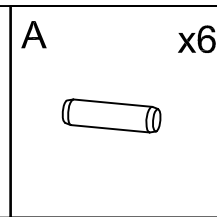
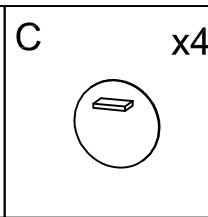
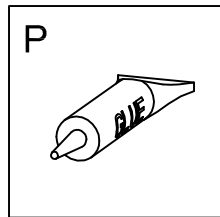
STEP.4_FN00000005C					
8040000392	8040002001	8040002002			
S	x12	T	x12	U	x12
EURO 6,3X17					



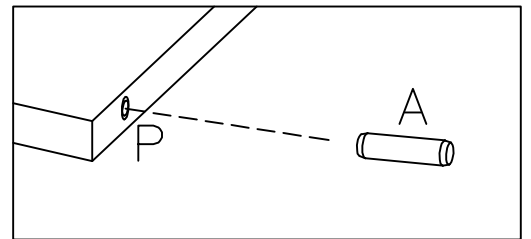
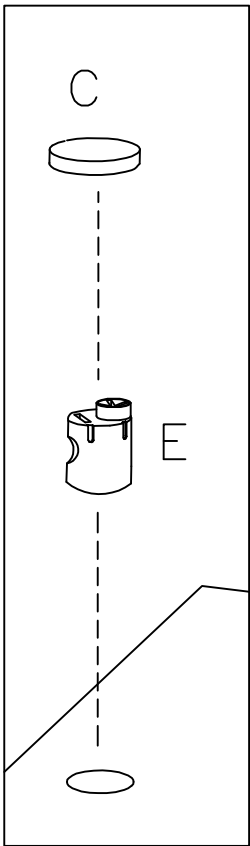
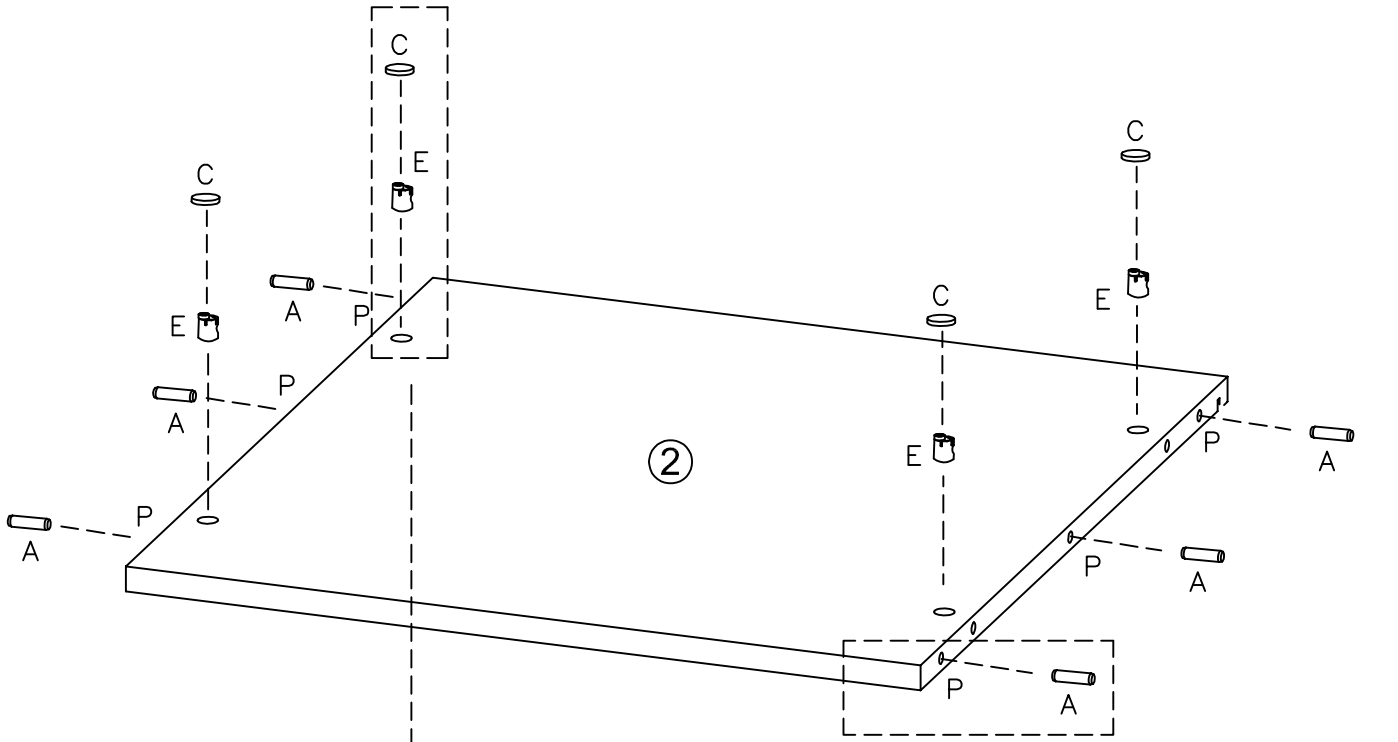
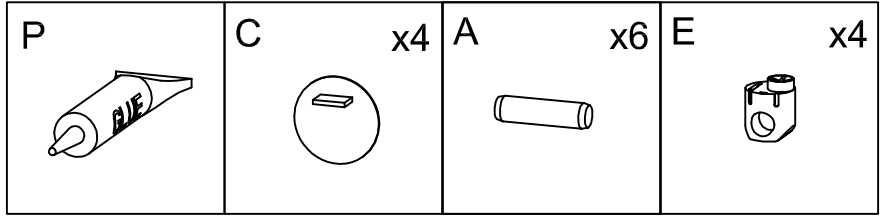
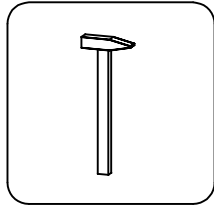
STEP.1- 01



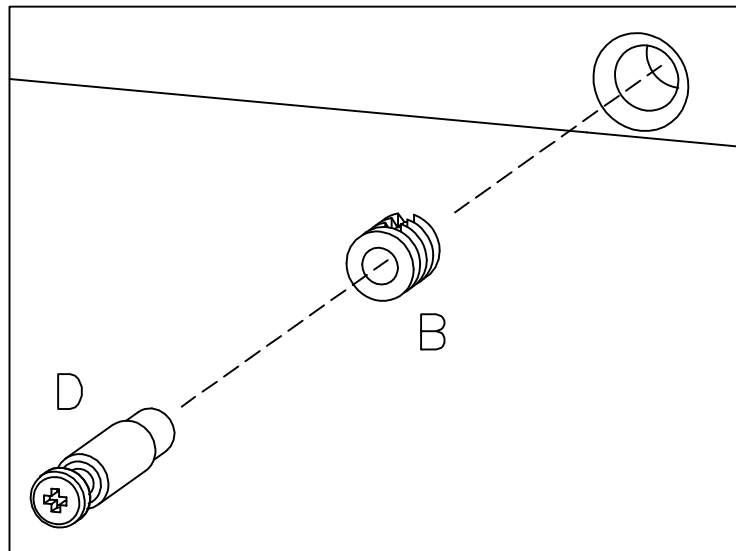
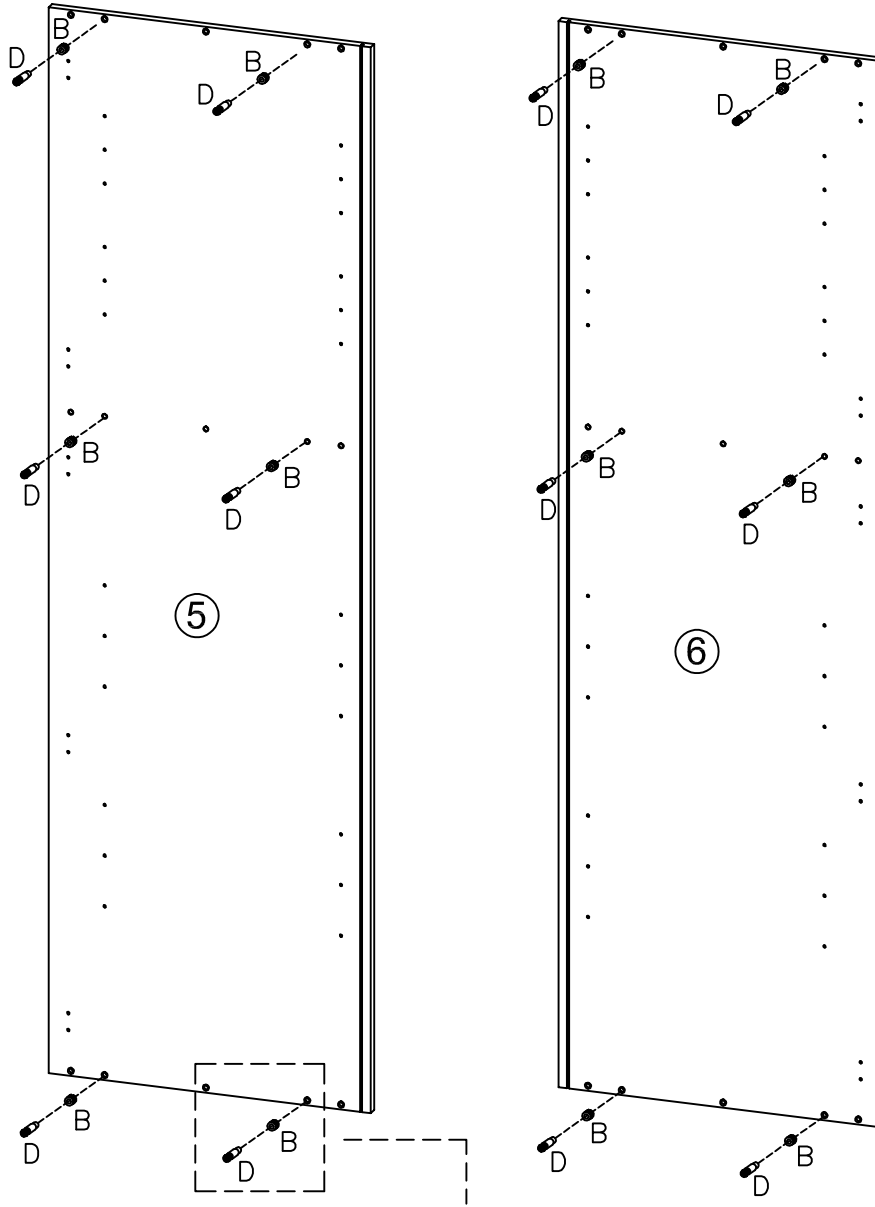
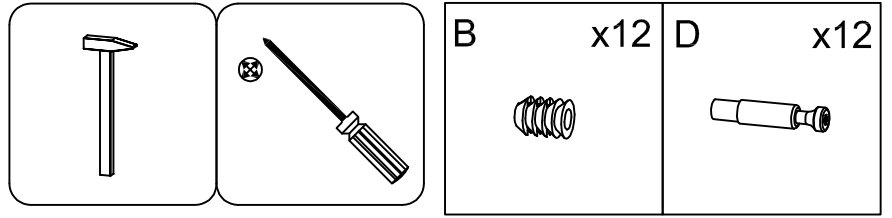
STEP.2- 01



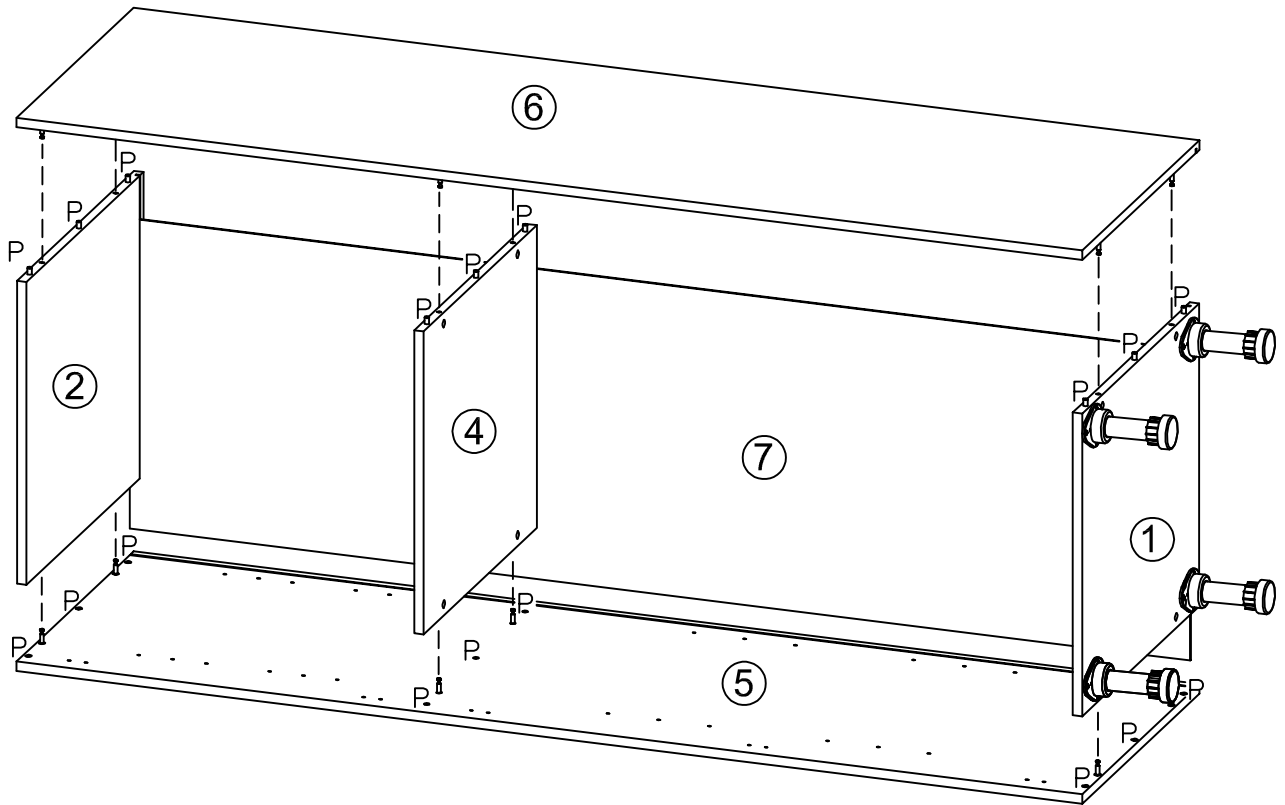
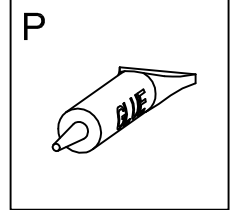
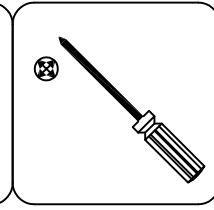
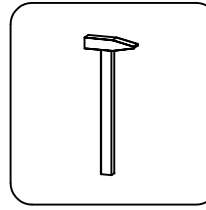
STEP.2- 02



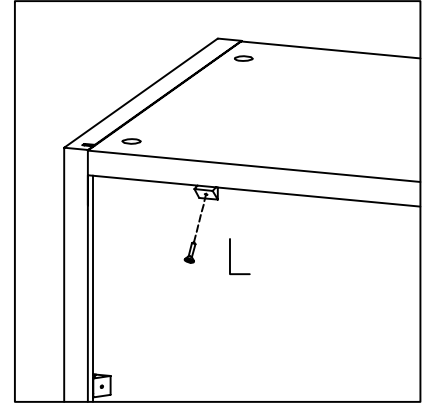
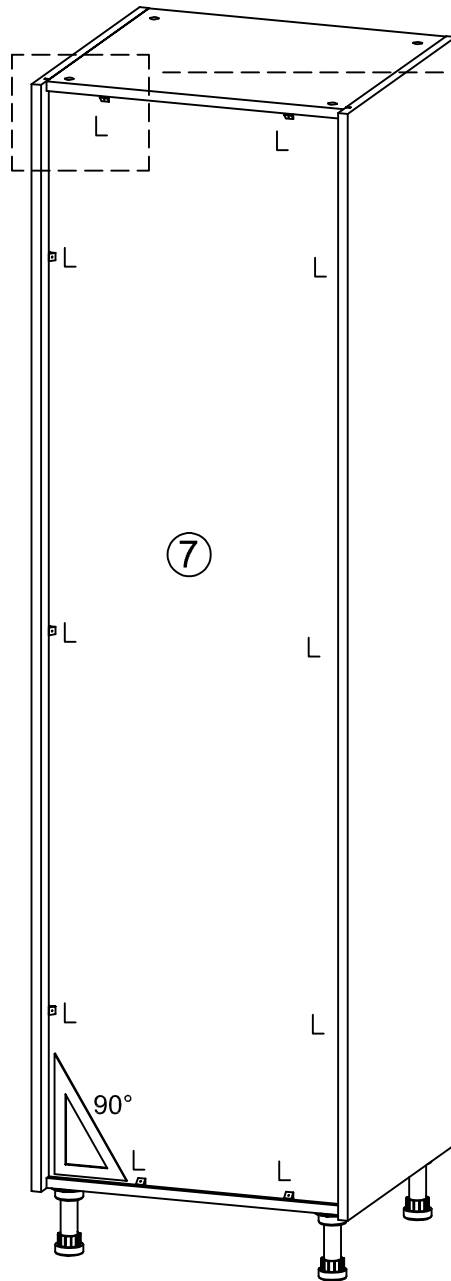
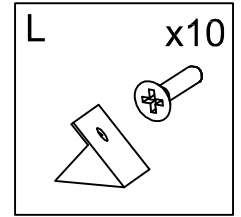
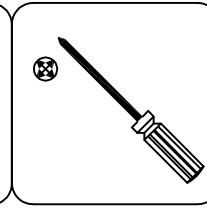
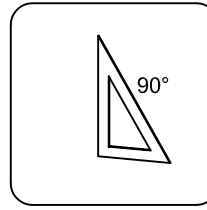
STEP.2- 03



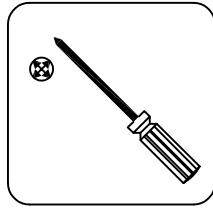
STEP.2- 04



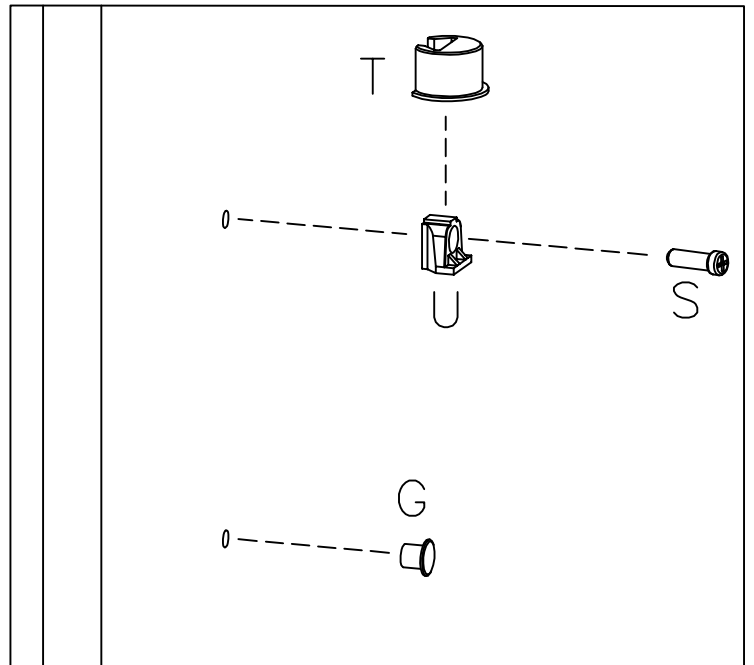
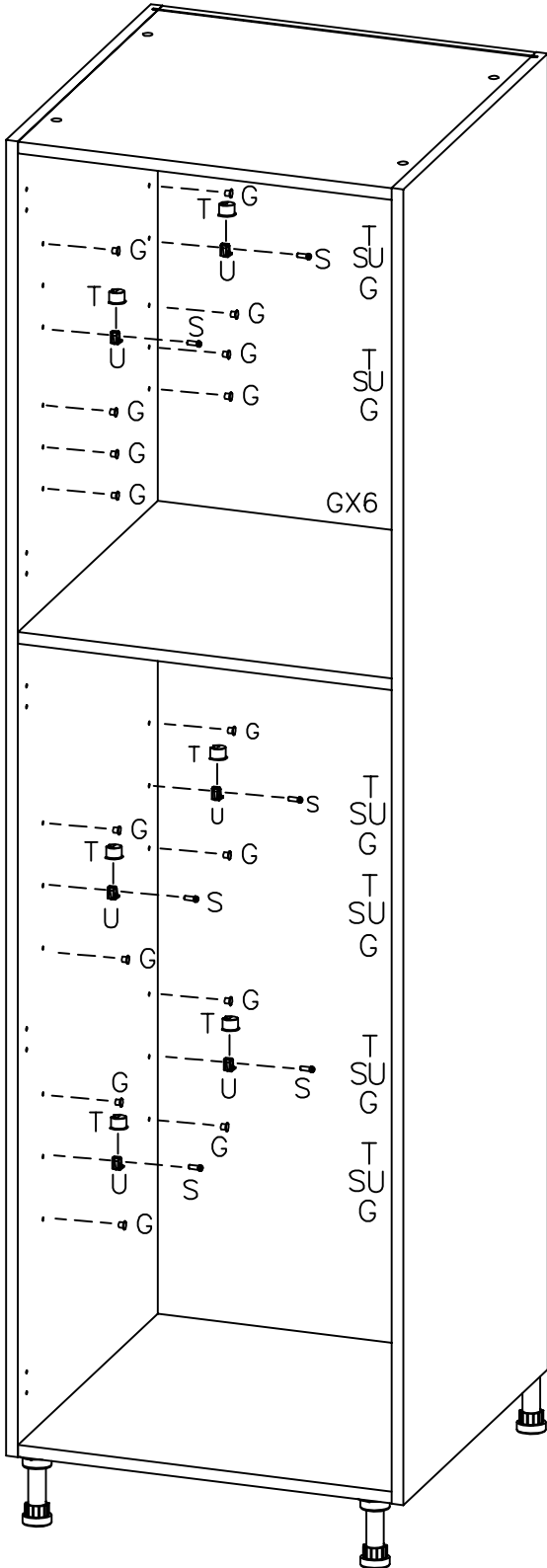
STEP.3- 01



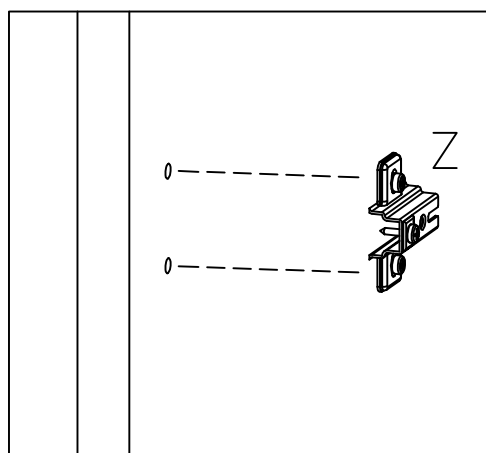
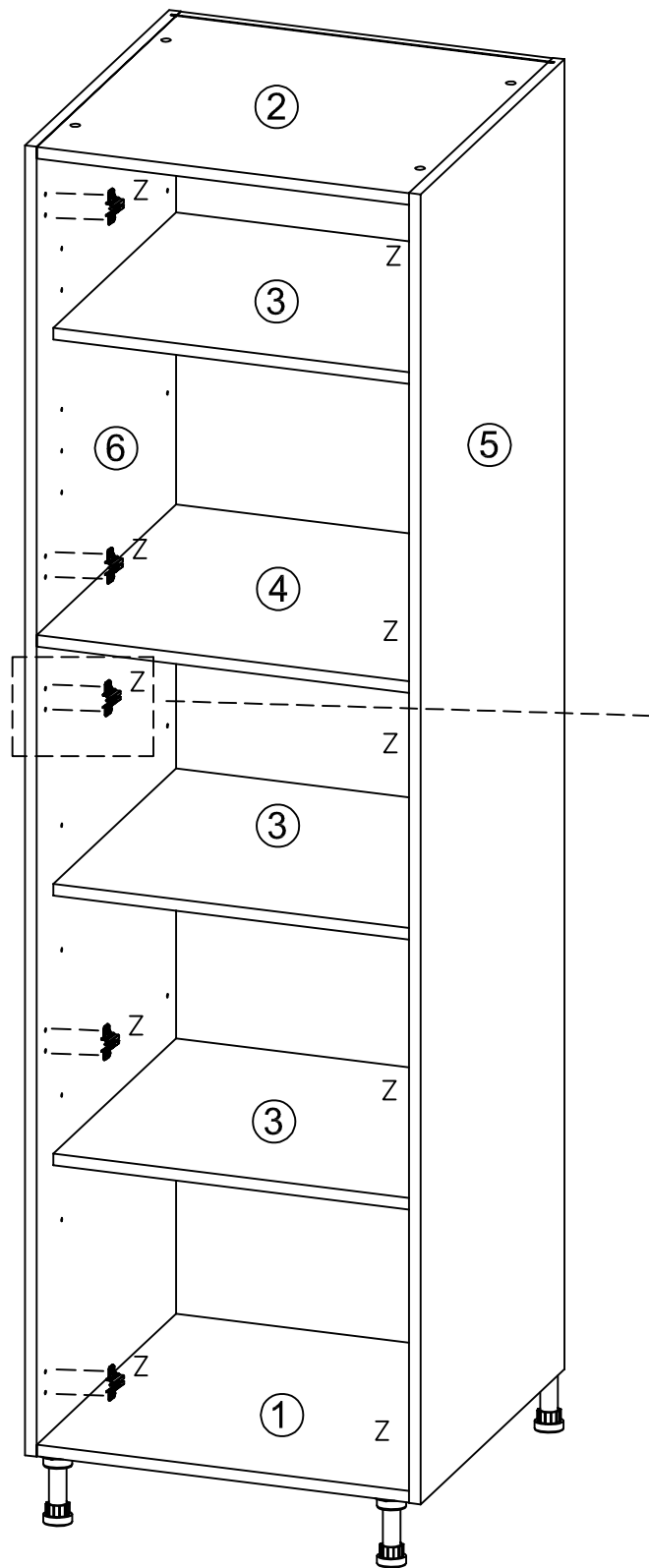
STEP.4- 01



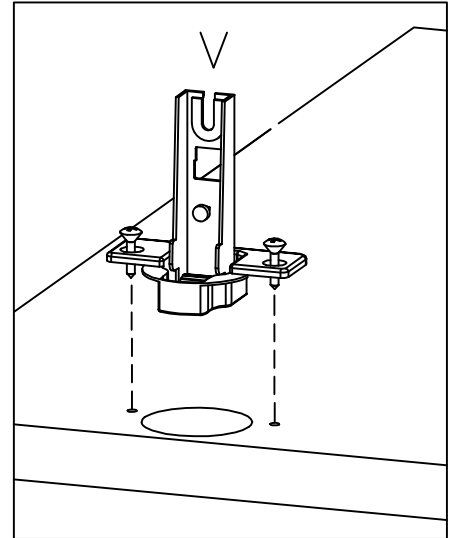
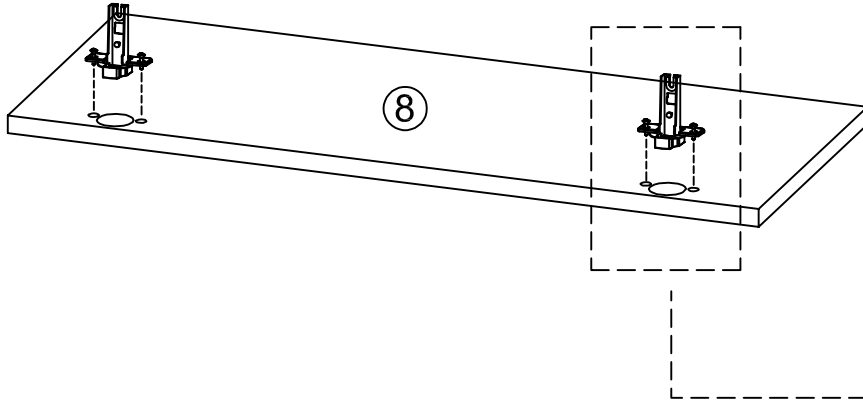
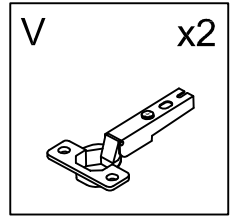
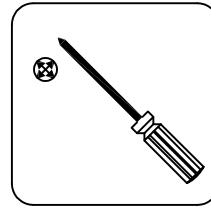
G	x34	S	x12	T	x12	U	x12
			EURO 6,3X17				



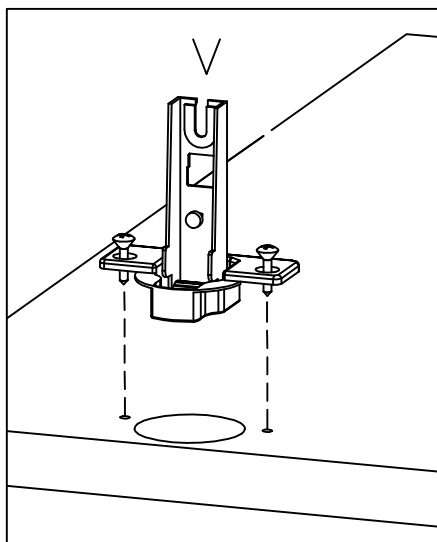
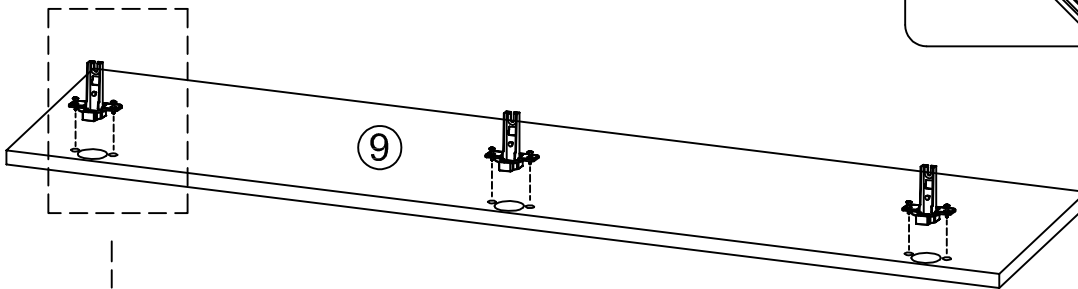
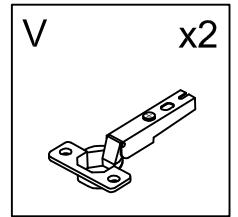
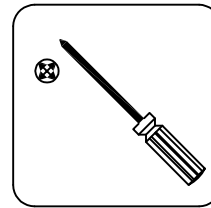
STEP.5- 01



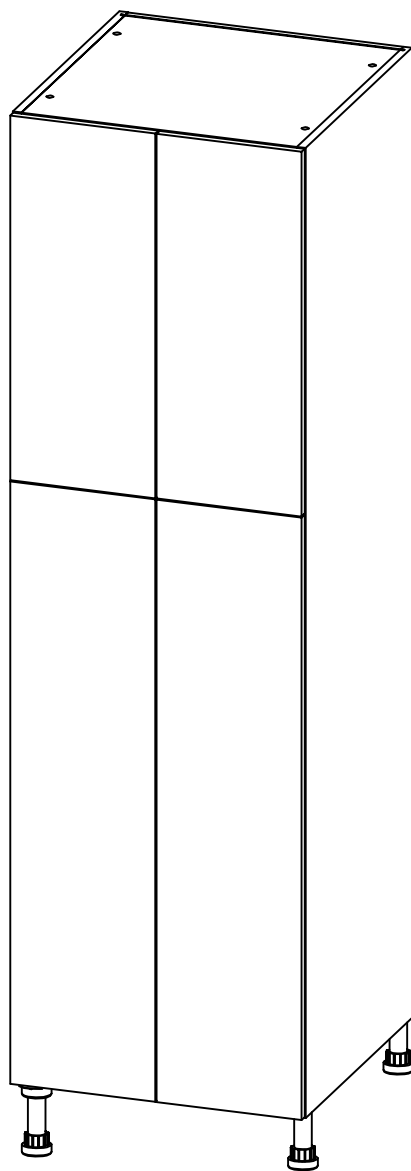
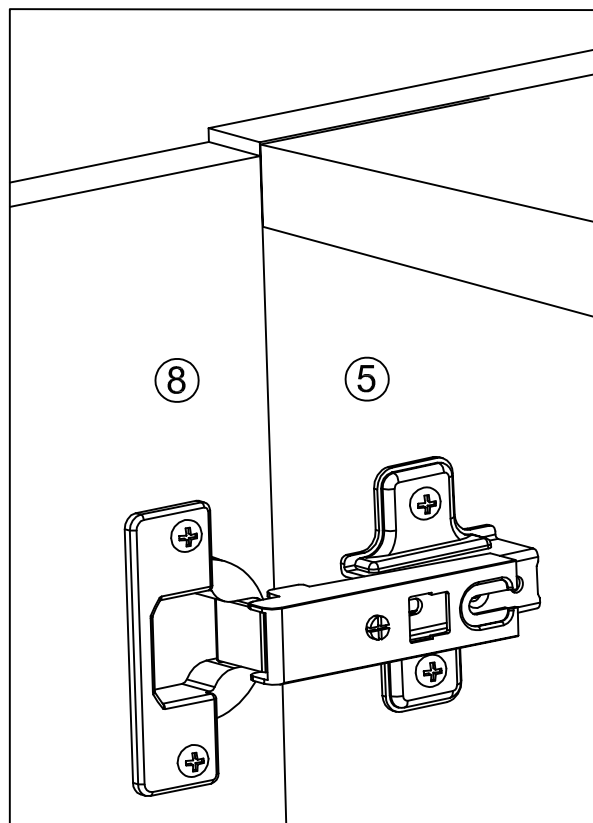
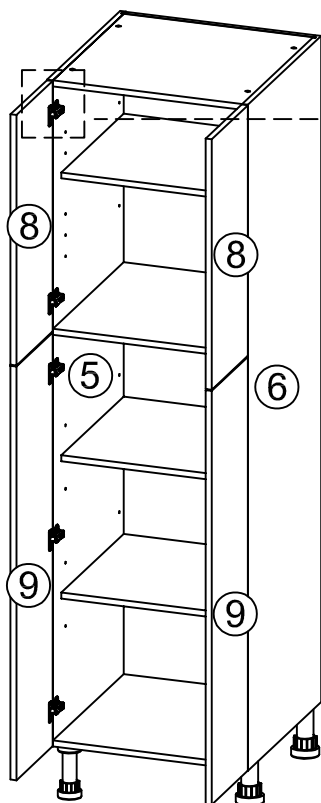
STEP.5- 02 X2

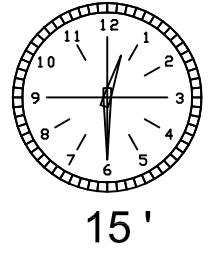
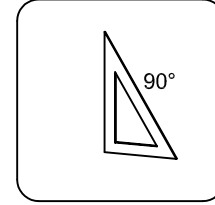
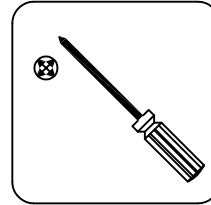
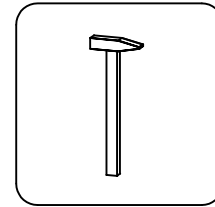
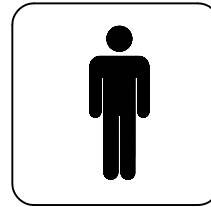
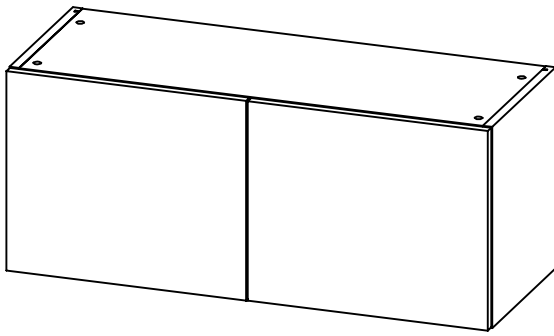


STEP.5- 03 X2



STEP.6- 01





FN0000006K

STEP.1_FN0000007A

8140000013	8060000880	8060000439	8040001145	8040001144
A x12	B x10	C x8	D x8	E x8

STEP.2_FN0000006B

8060000762	8060000156
L x4	G x4

STEP.3_FN0000006

8050002028	8050002029	8040000496	8060000856
A1 x1	B1 x1	C1 x4	D1 x4
		 TSP 3,5X25	

STEP.4_H00000140

8040001375	8040001376
V x4	Z x4

8230300014
P x1

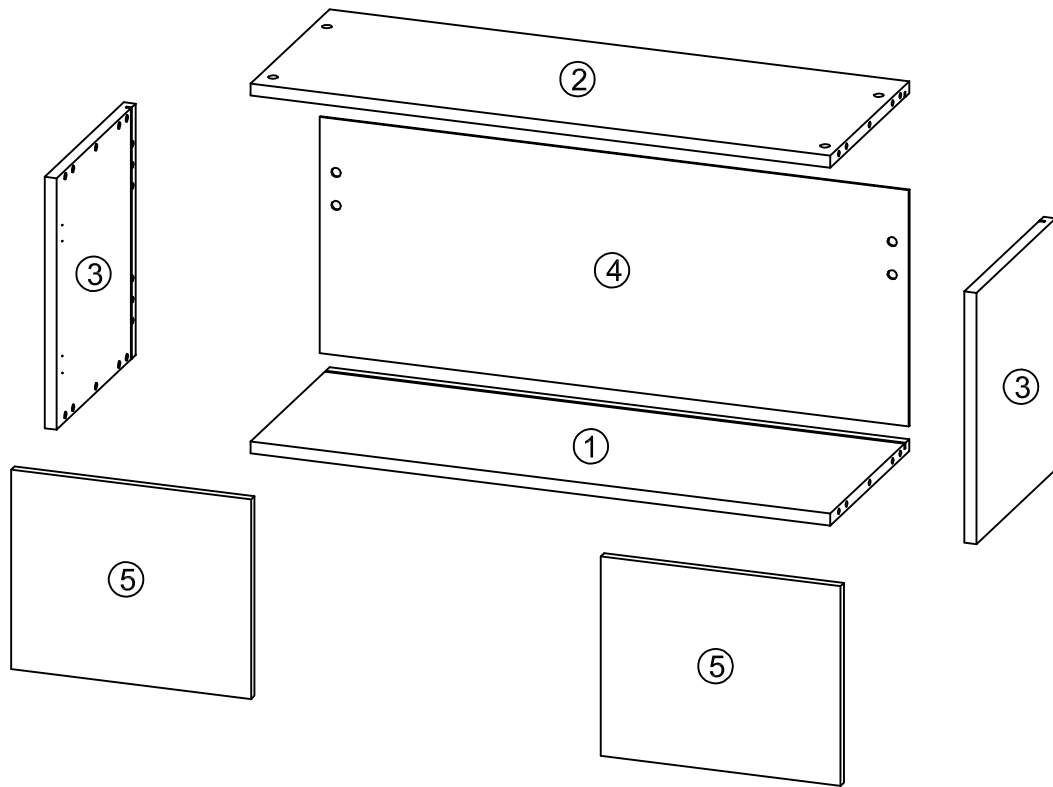
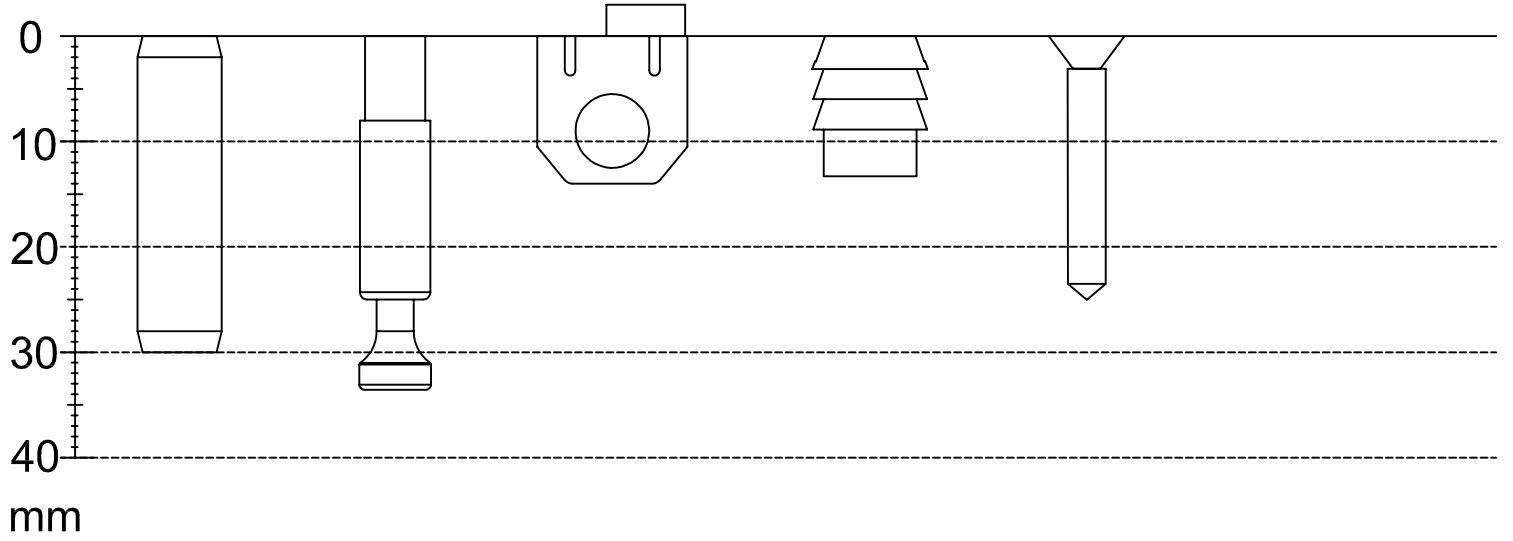
Ax12

Dx8

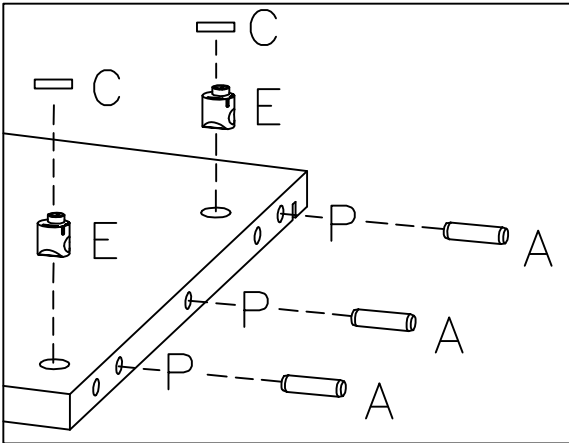
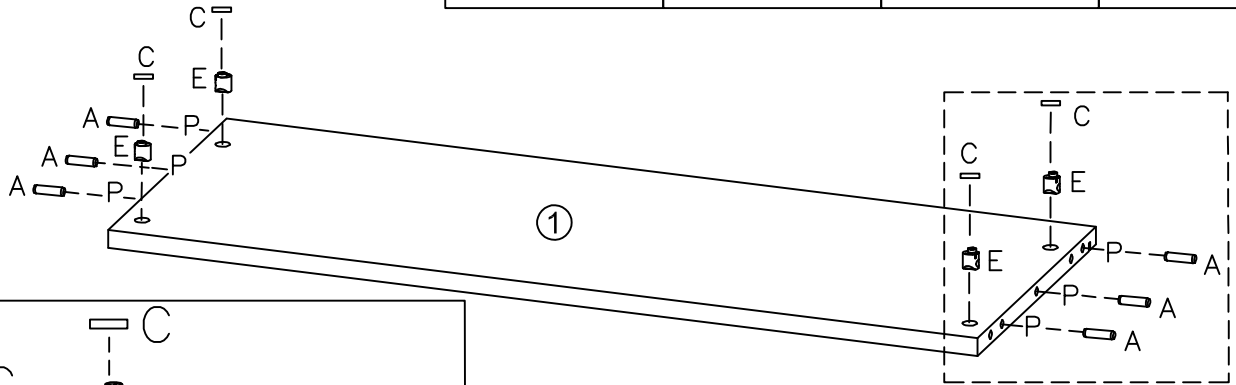
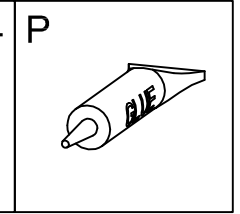
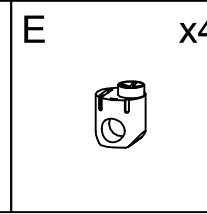
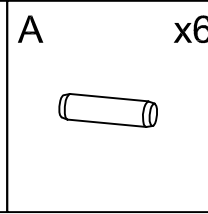
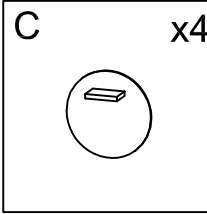
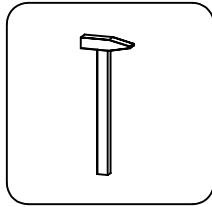
Ex8

Bx10

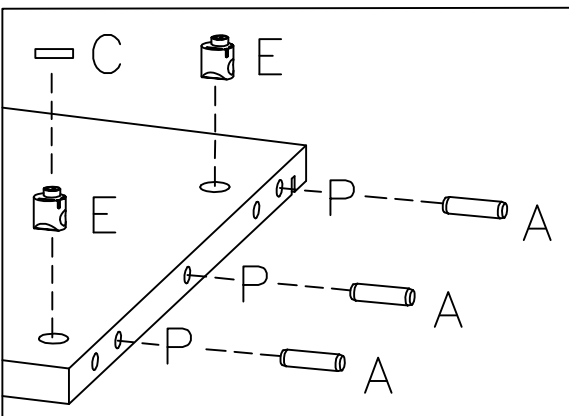
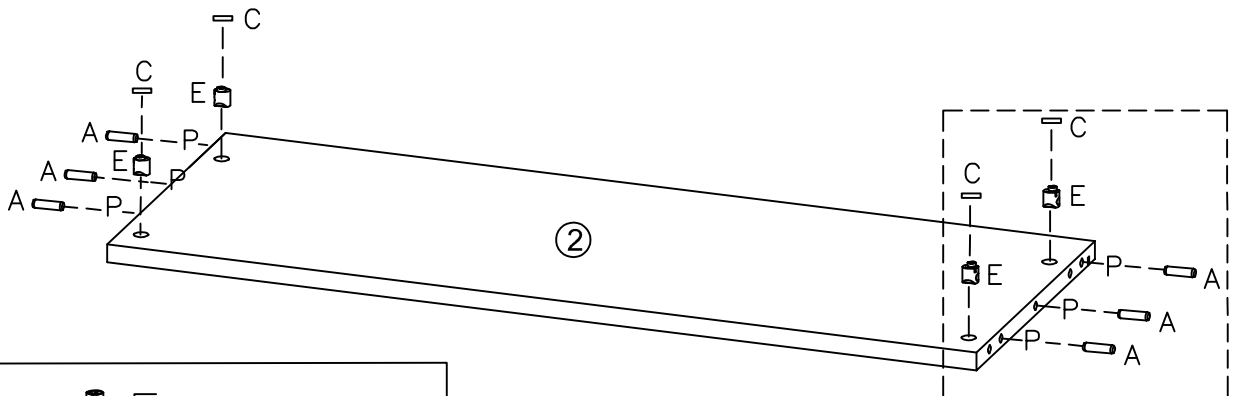
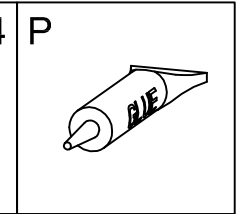
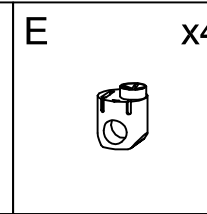
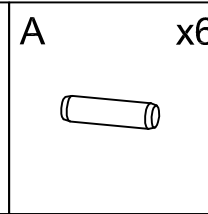
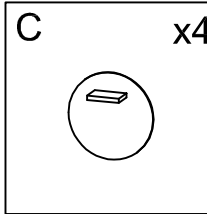
C1x4



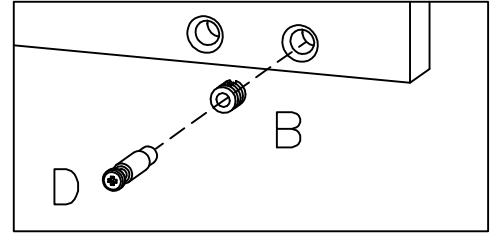
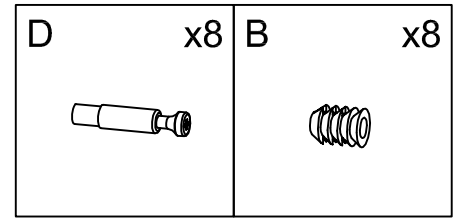
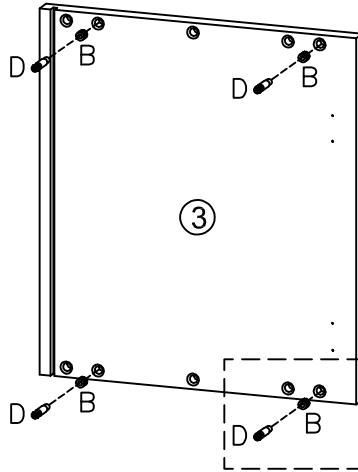
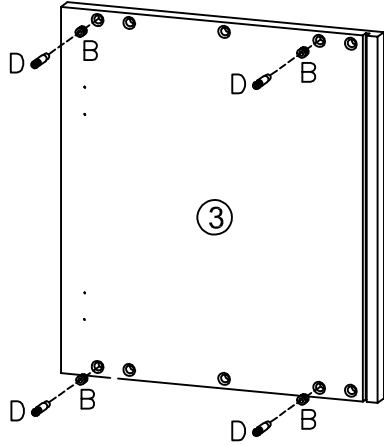
STEP.1- 01



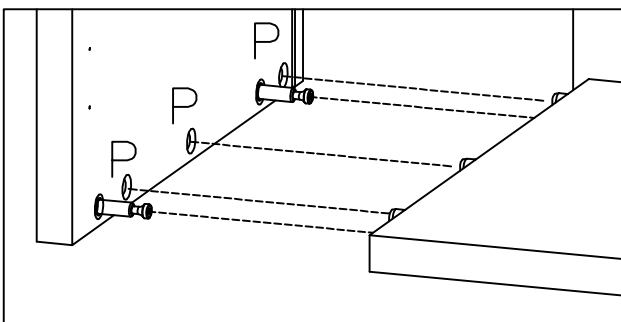
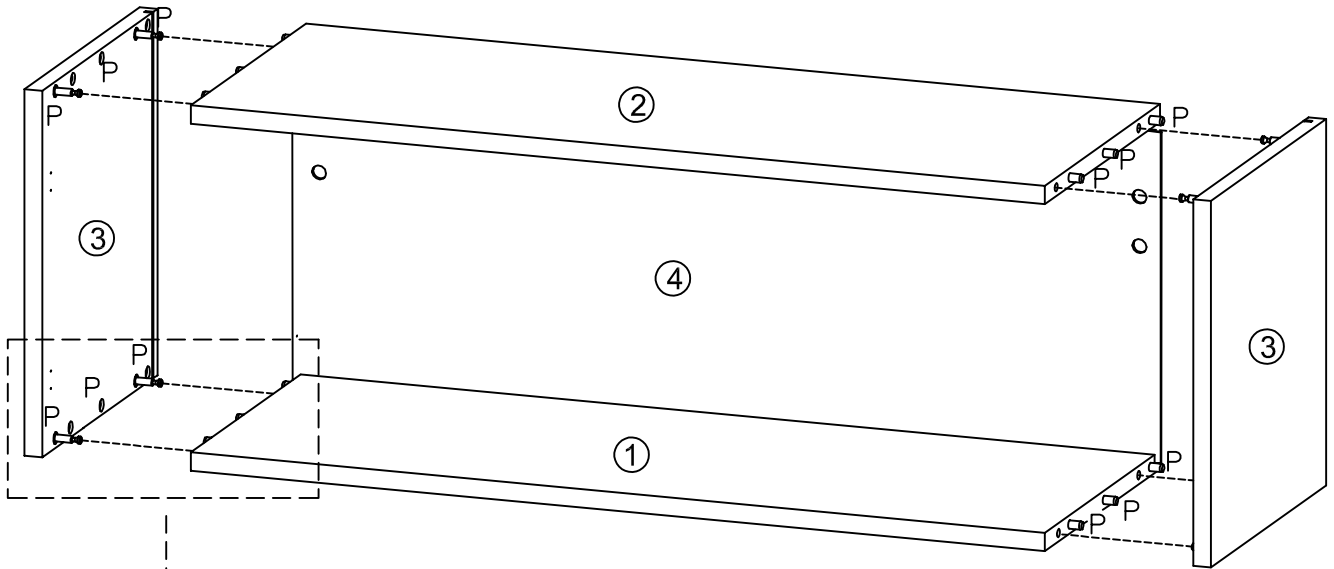
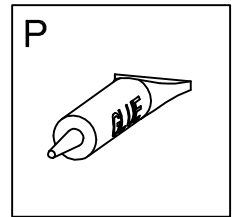
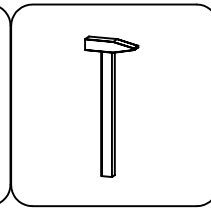
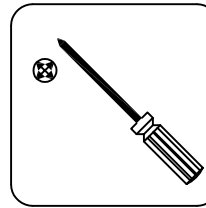
STEP.1- 02



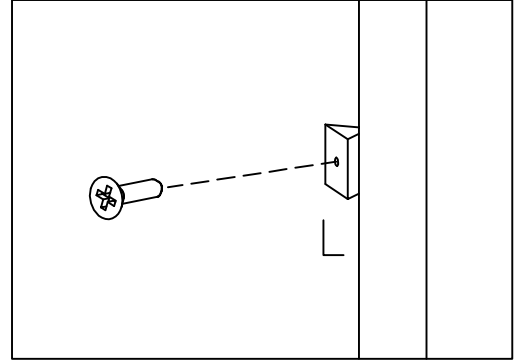
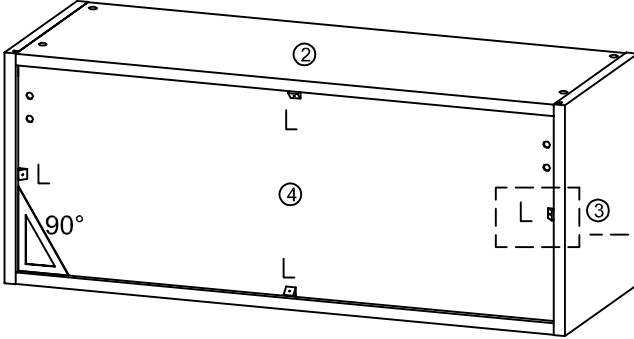
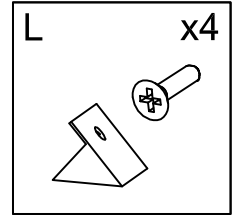
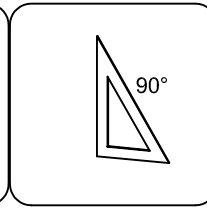
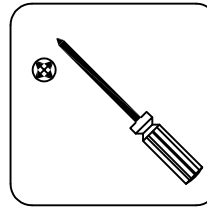
STEP.1- 03



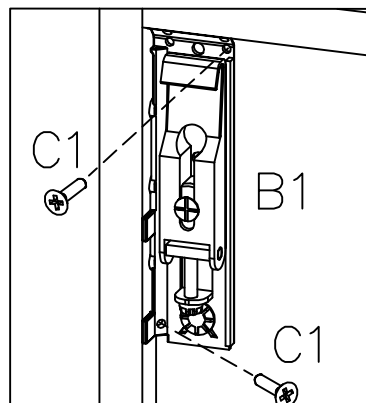
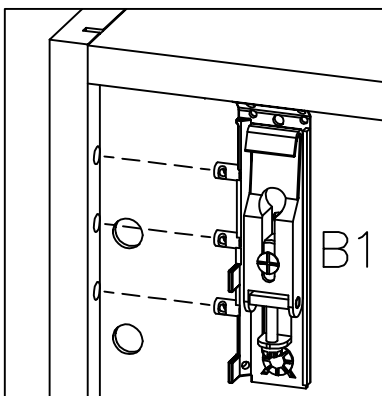
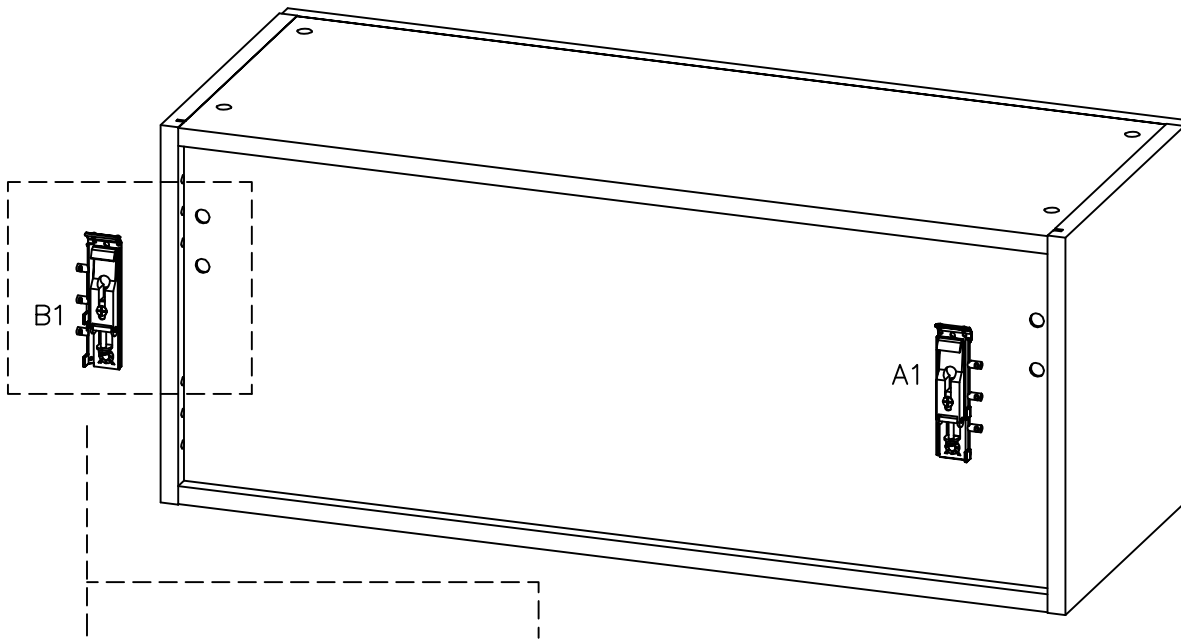
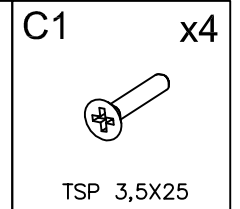
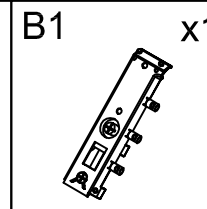
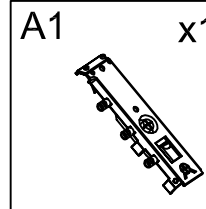
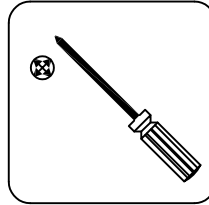
STEP.1- 04



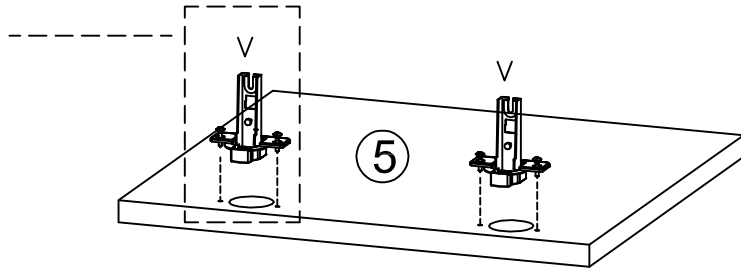
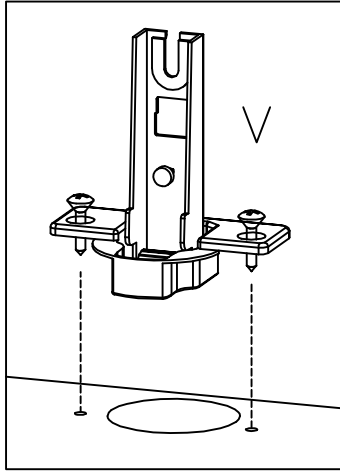
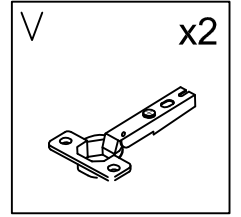
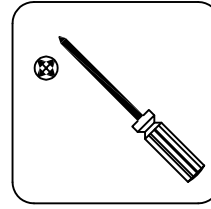
STEP.2- 01



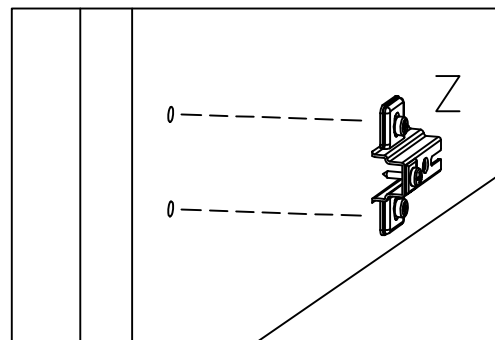
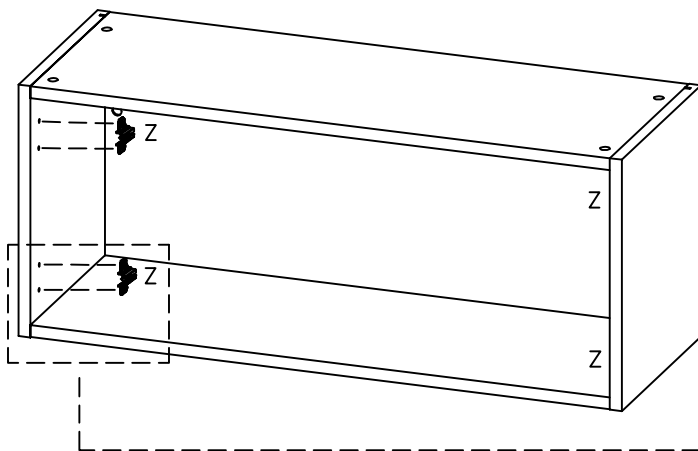
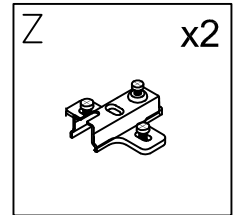
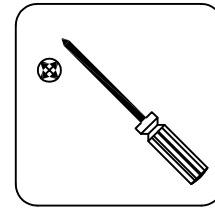
STEP.3- 01



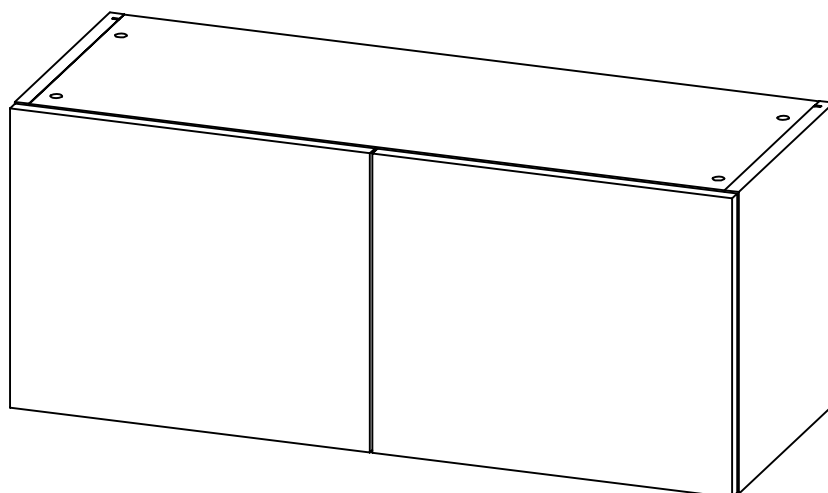
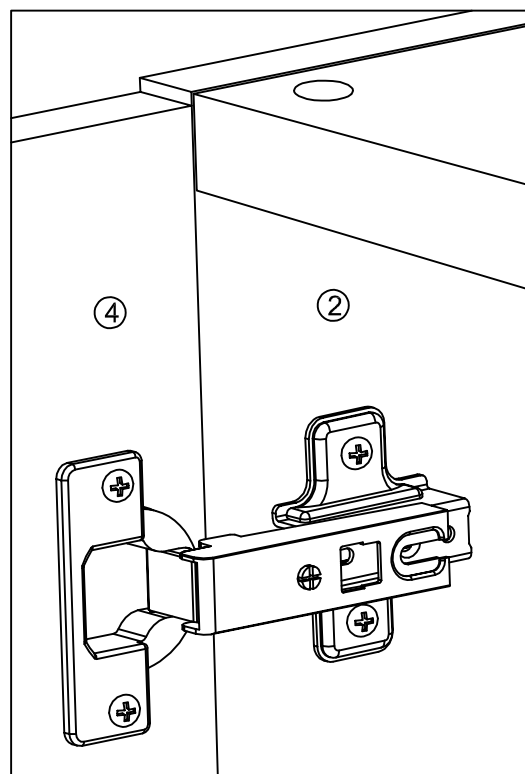
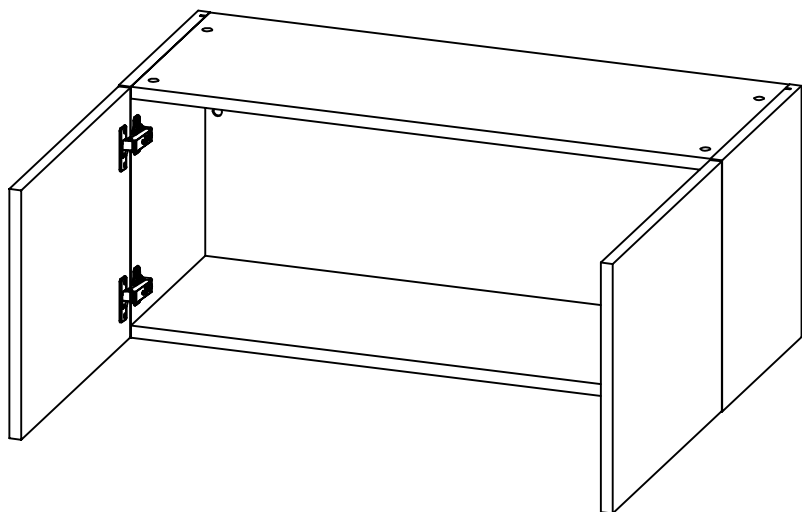
STEP.4- 01 X2

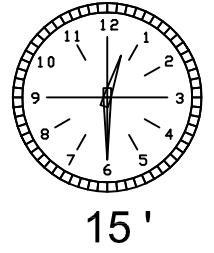
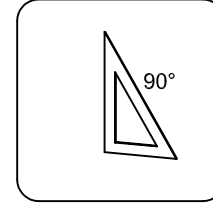
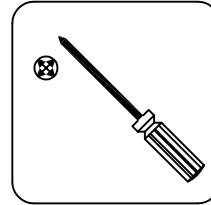
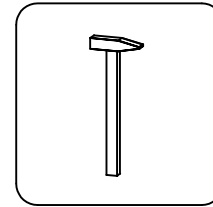
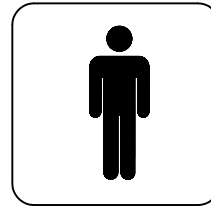
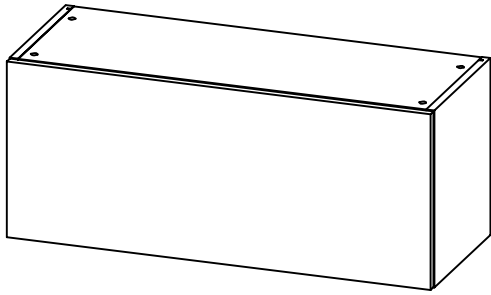


STEP.4- 02 X2



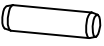

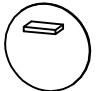


STEP.5- 01



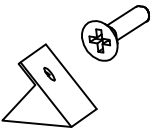



FN0000007K

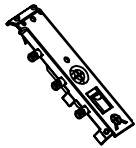
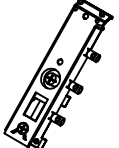
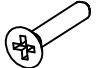
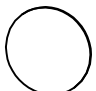
STEP.1_FN0000007A

8140000013	8060000880	8060000439	8040001145	8040001144
A x12	B x10	C x8	D x8	E x8
				

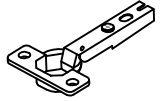
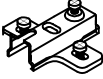
STEP.2_FN0000007B


8060000762	8060000156
L x4	G x4
	

STEP.3_FN0000006

8050002028	8050002029	8040000496	8060000856
A1 x1	B1 x1	C1 x4	D1 x4
		 TSP 3,5X25	

STEP.4_H000000139

8040001375	8040001376
V x2	Z x2
	

8230300014
P x1


STEP.5_F00000378

8050001412	8040000771	8040001203	8050000768	8050000769
Q x2	R x4	S x10	T x2	U x2
	 TSP 3,5X12	 TSP 3,5X16		

Ax12

Ex8

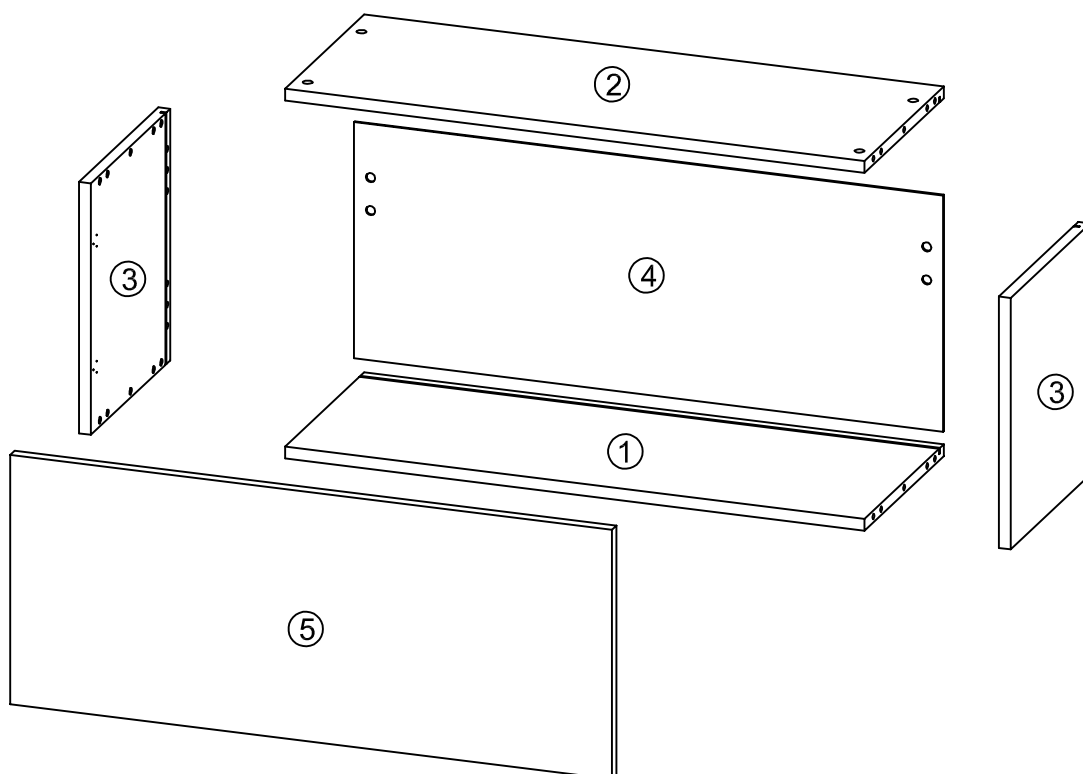
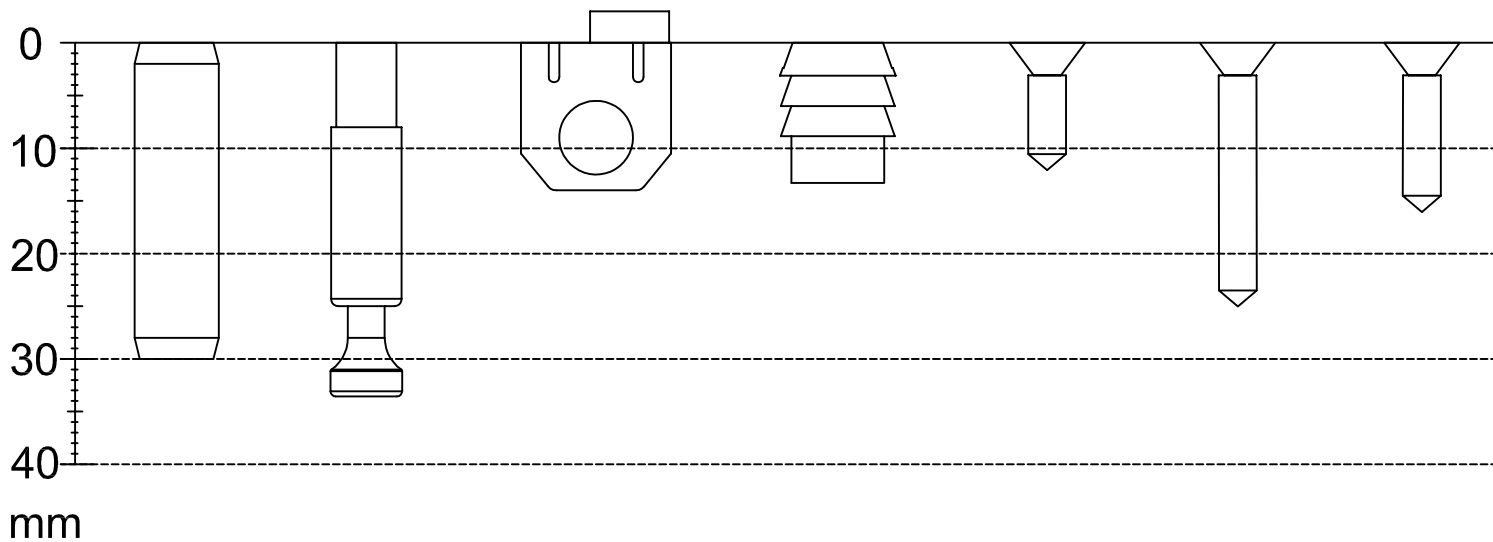
Ex8

Bx10

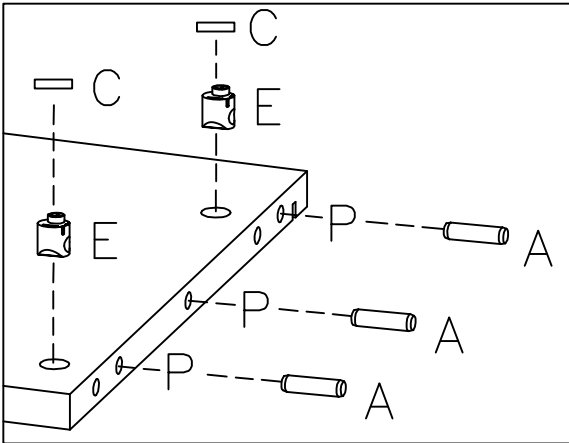
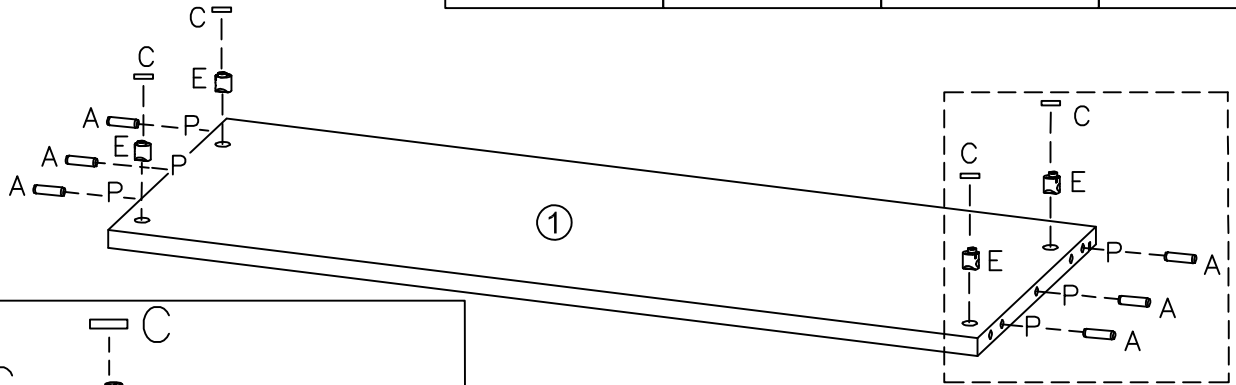
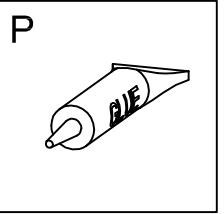
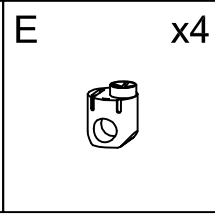
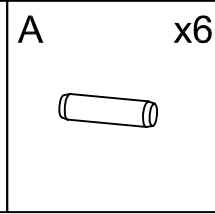
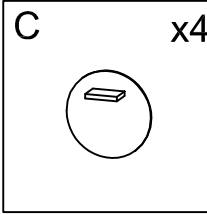
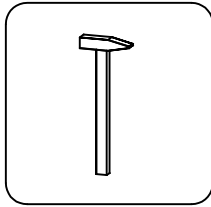
Rx4

C1x4

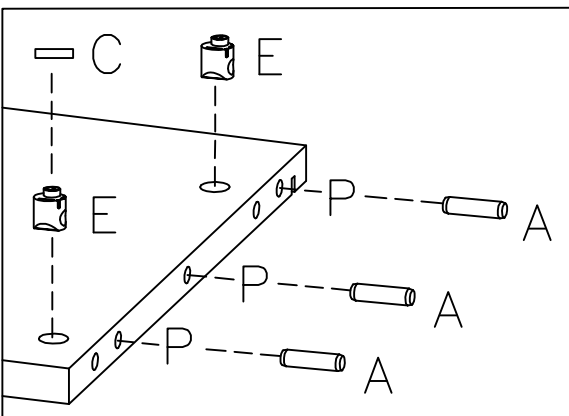
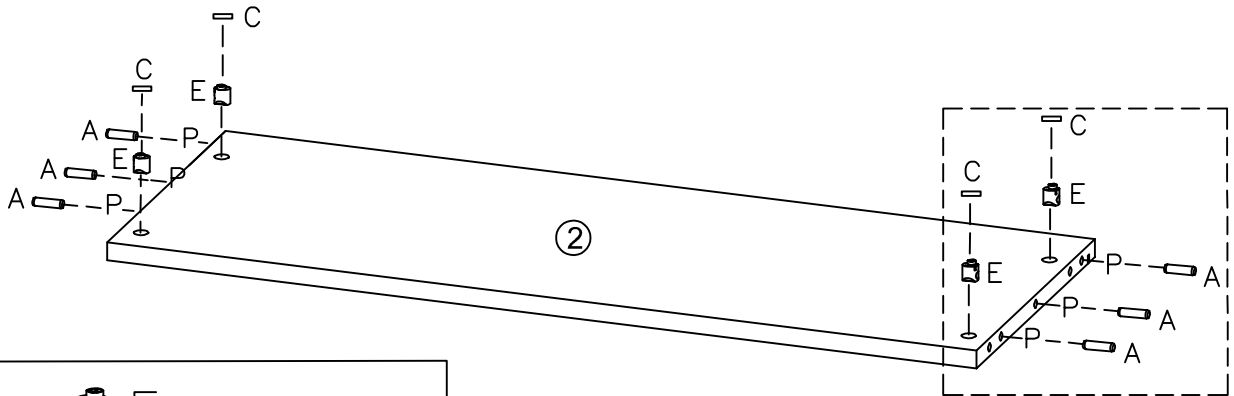
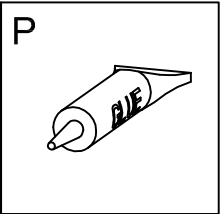
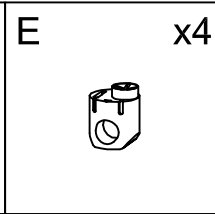
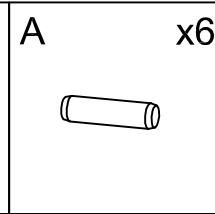
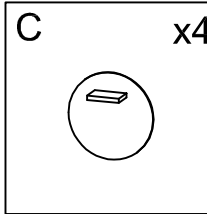
Sx10



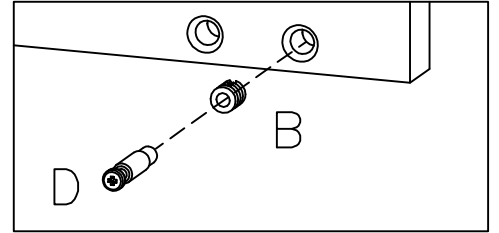
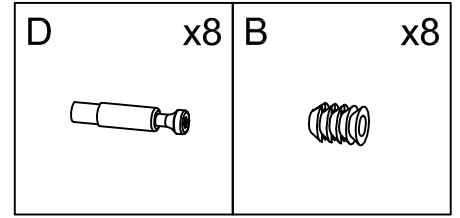
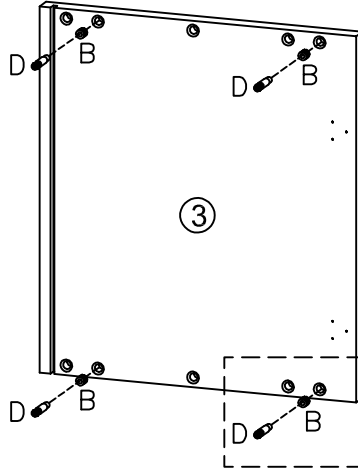
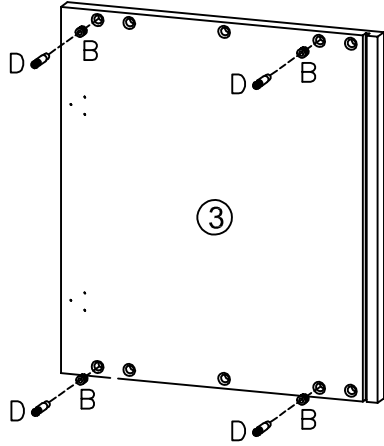
STEP.1- 01



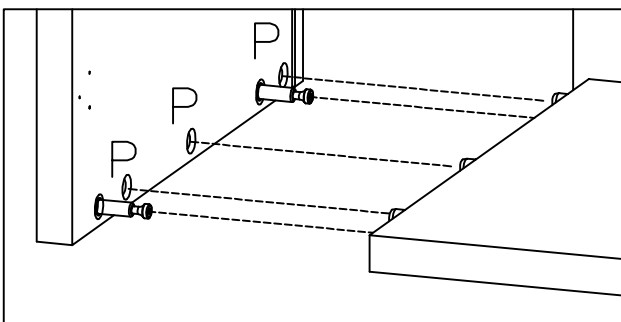
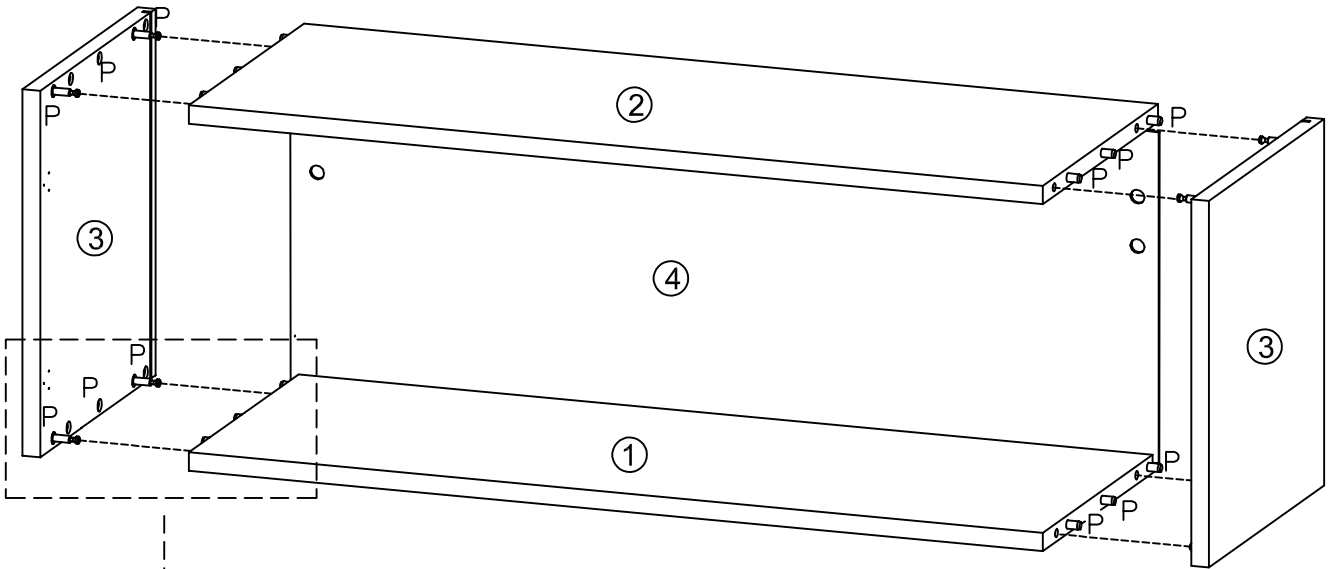
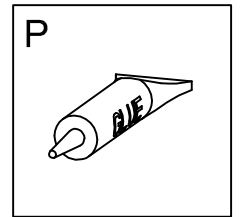
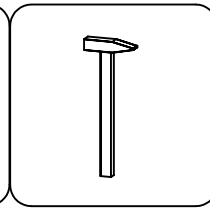
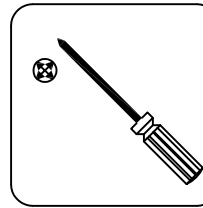
STEP.1- 02



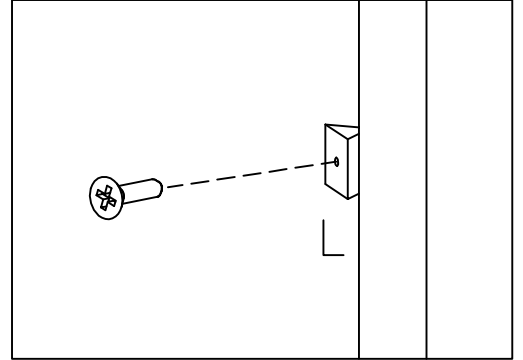
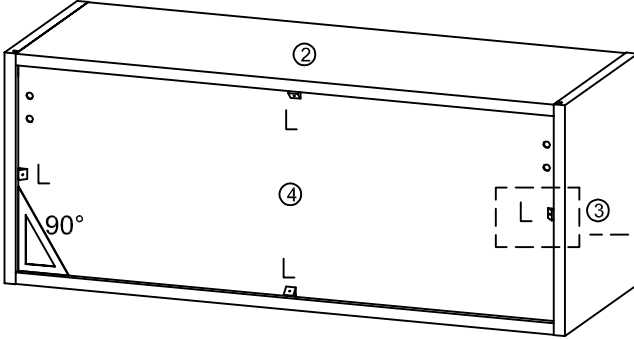
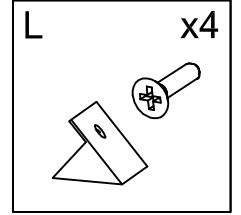
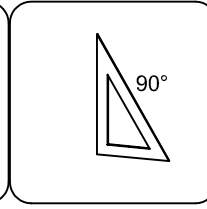
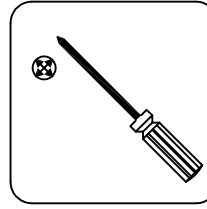
STEP.1- 03



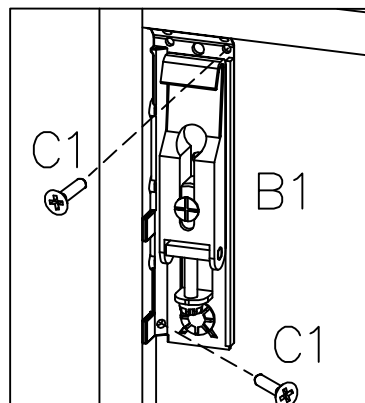
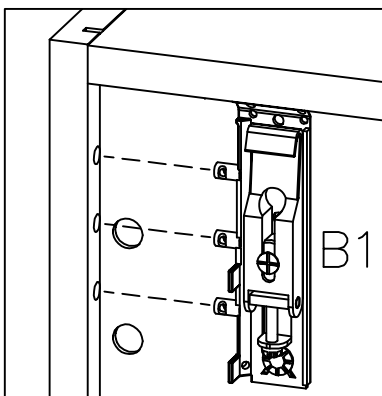
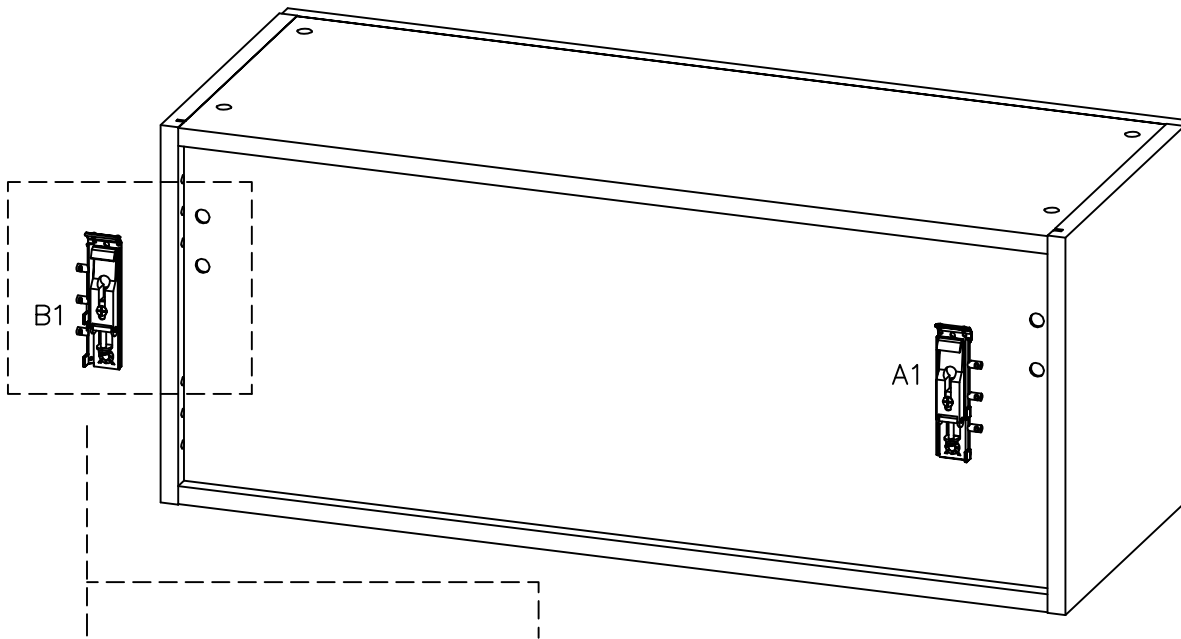
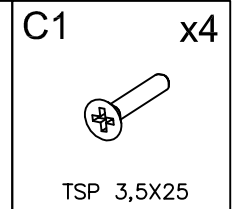
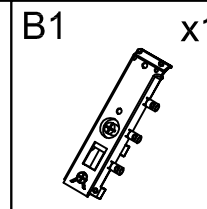
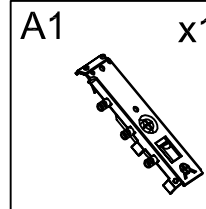
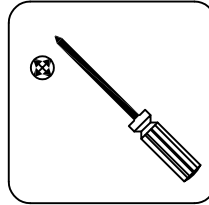
STEP.1- 04



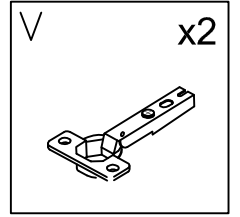
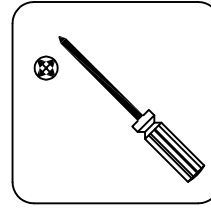
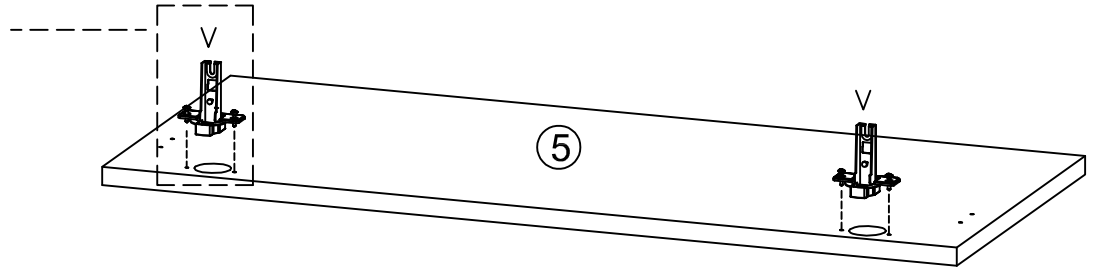
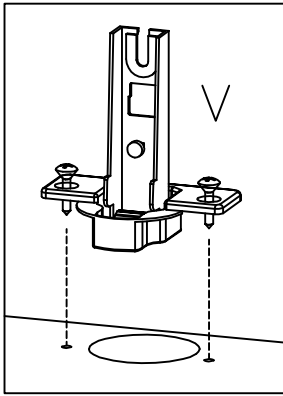
STEP.2- 01



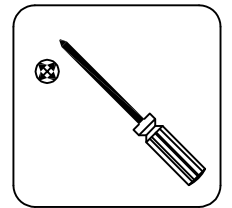
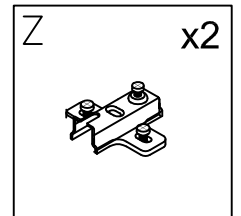
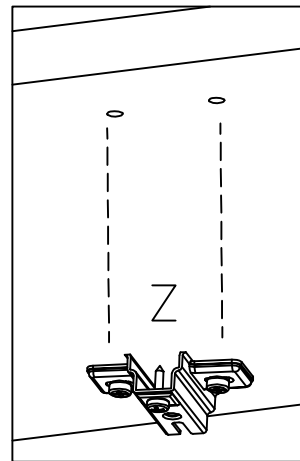
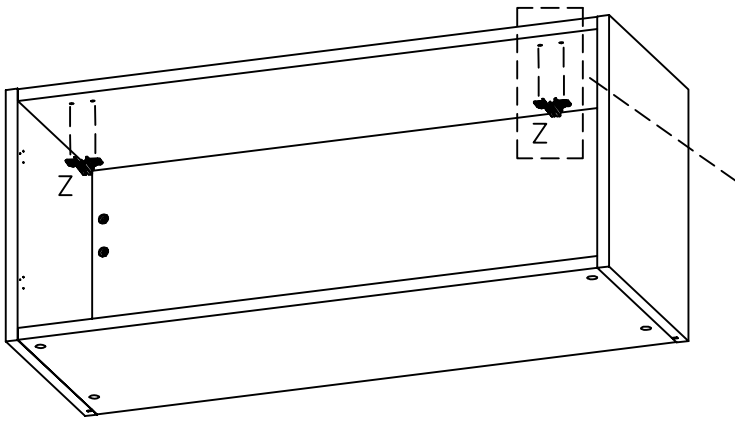
STEP.3- 01



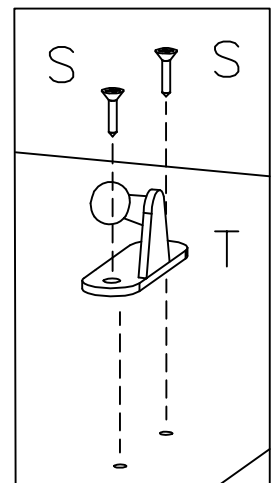
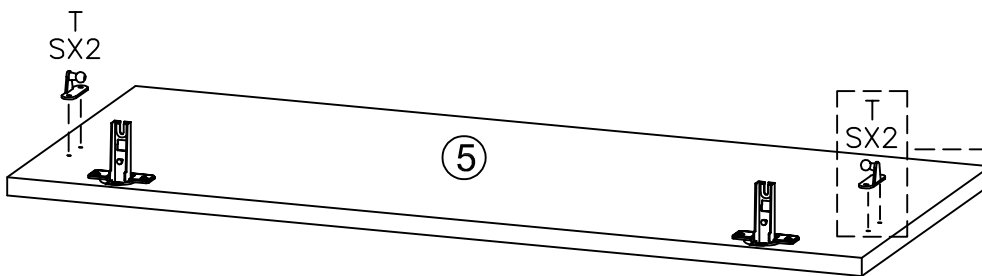
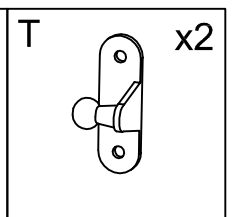
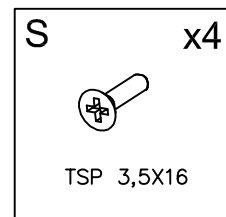
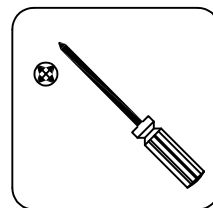
STEP.4- 01



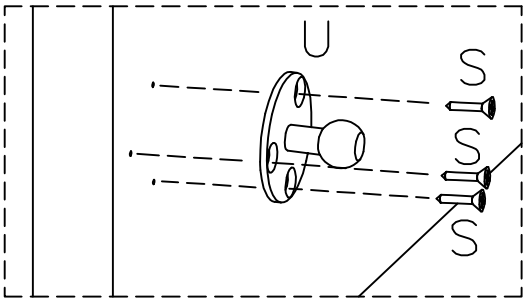
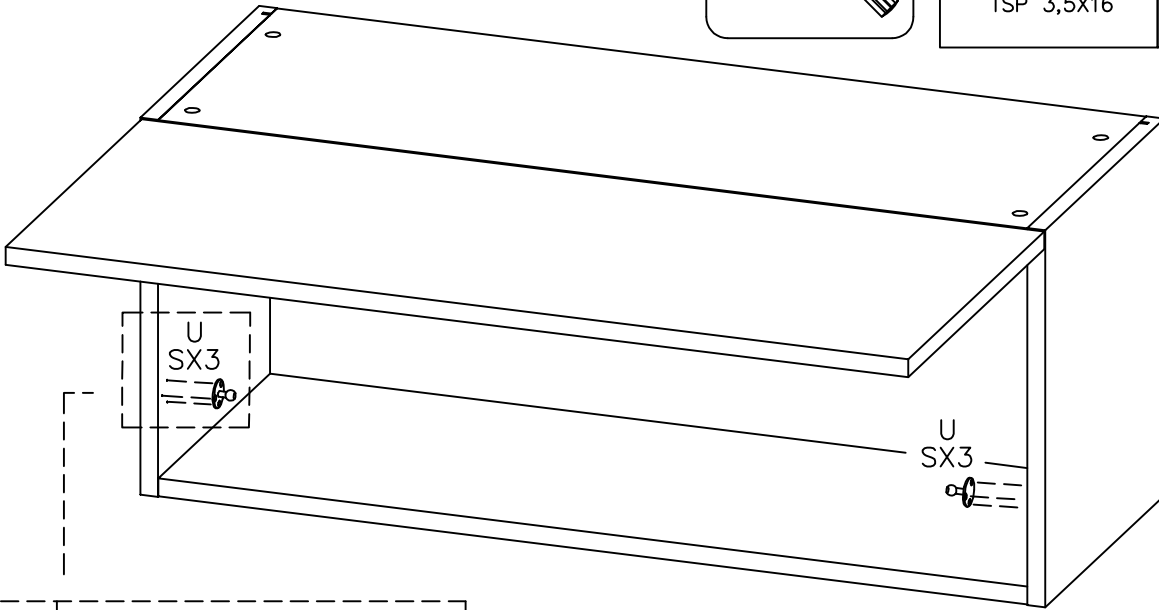
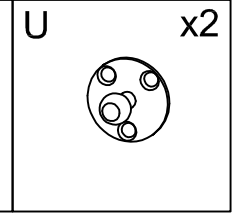
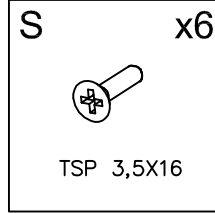
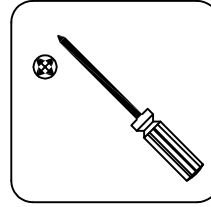
STEP.4- 02



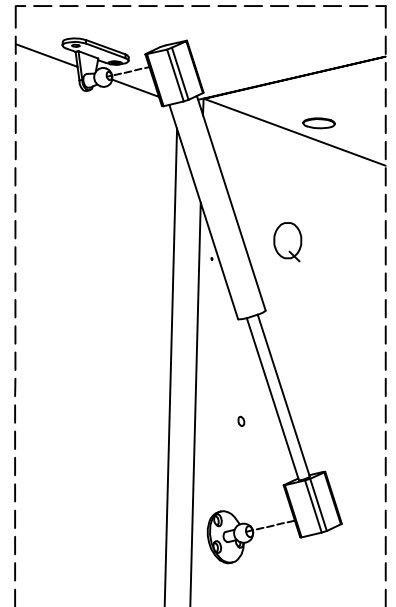
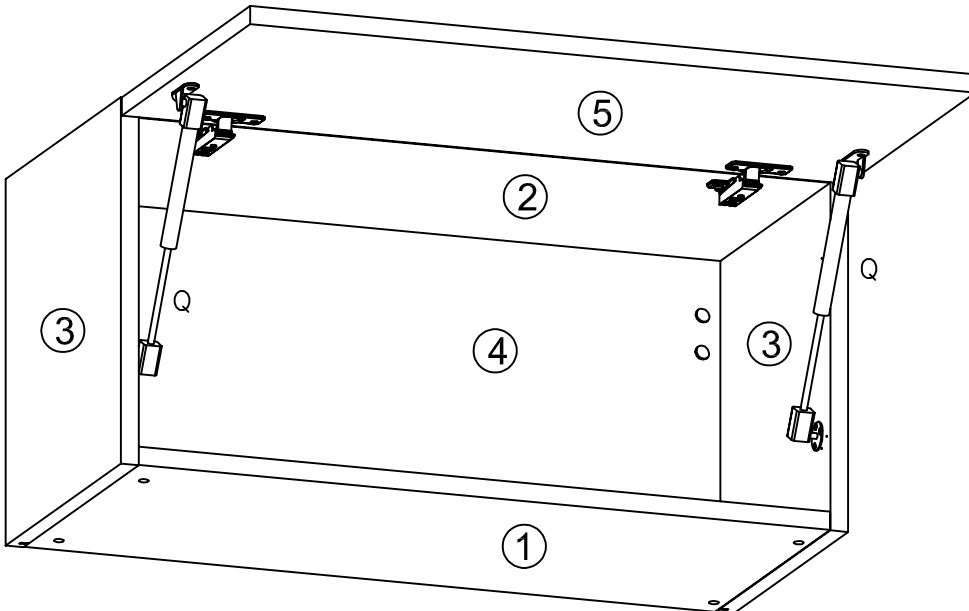
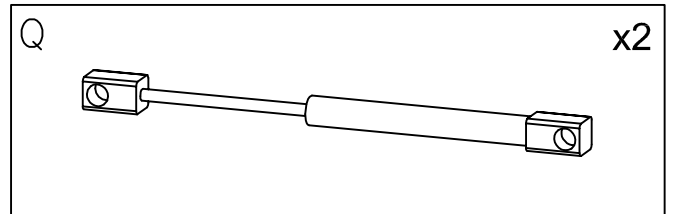
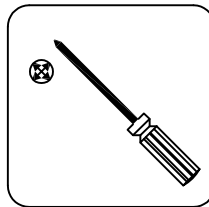
STEP.5- 01

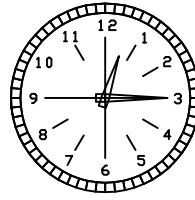
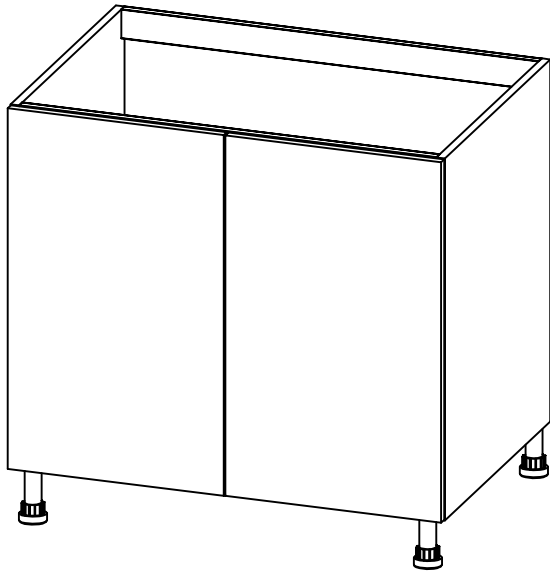


STEP.5- 02

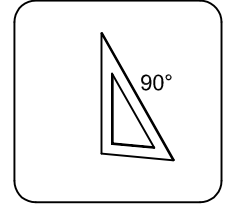
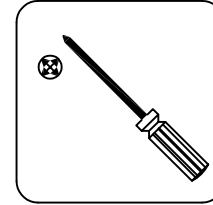
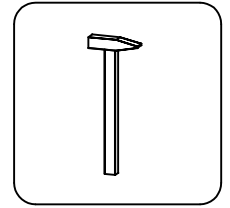
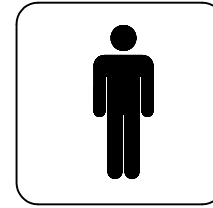


STEP.5- 03

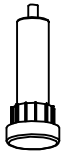





15'



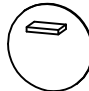




STEP.1_F71200001


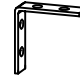


8060000411	8060000412
Q x4	R x4
	

FN00000008K

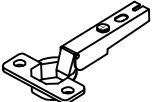
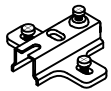
STEP.2_FN00000008A


8140000013	8060000880	8060000439	8040001145	8040001144
A x12	B x12	C x10	D x10	E x10
				

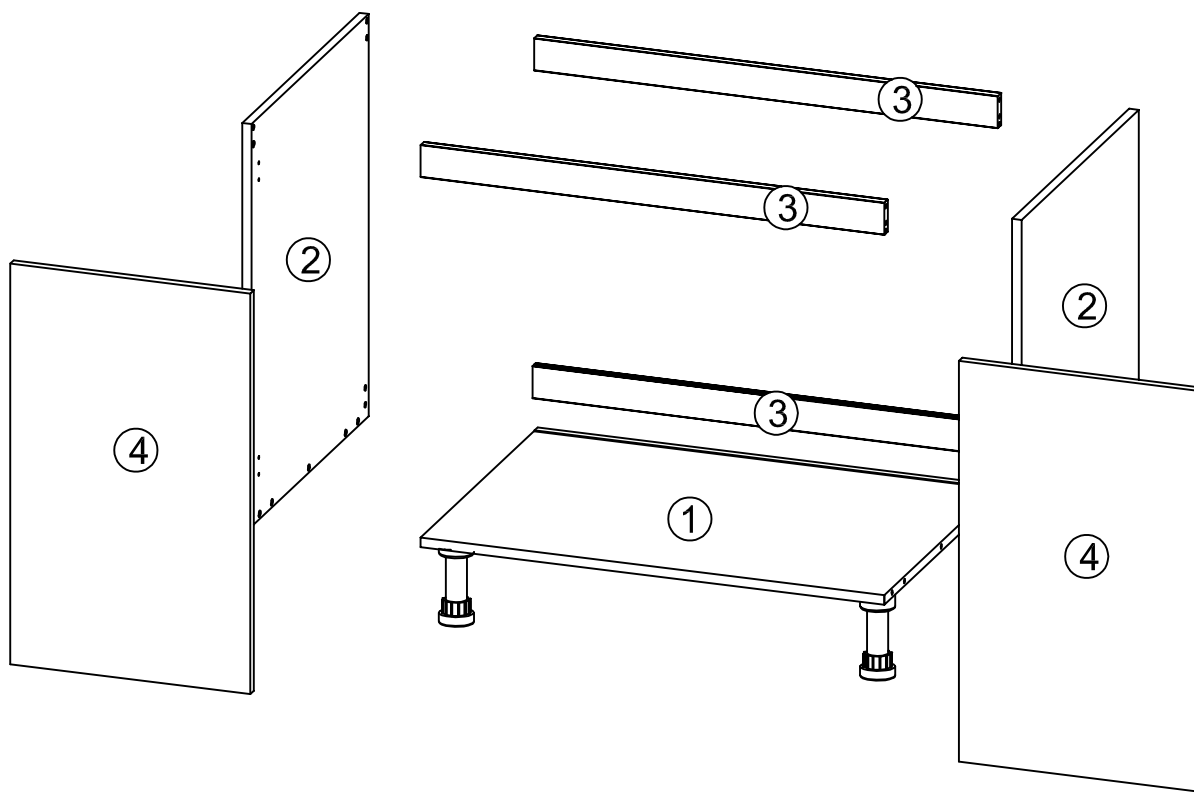
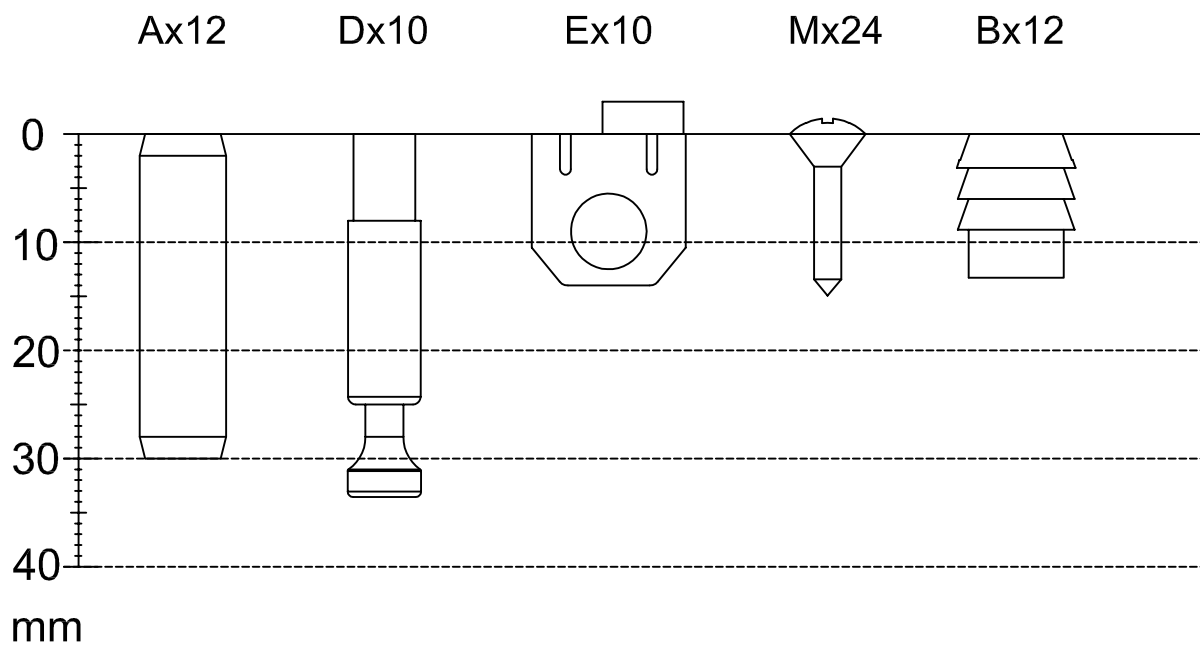
STEP.3_FN00000008B

8040000005	8040000010	8060000156	8060000067
M x24	N x2	F x8	G x12
 TGS 3,5X15			

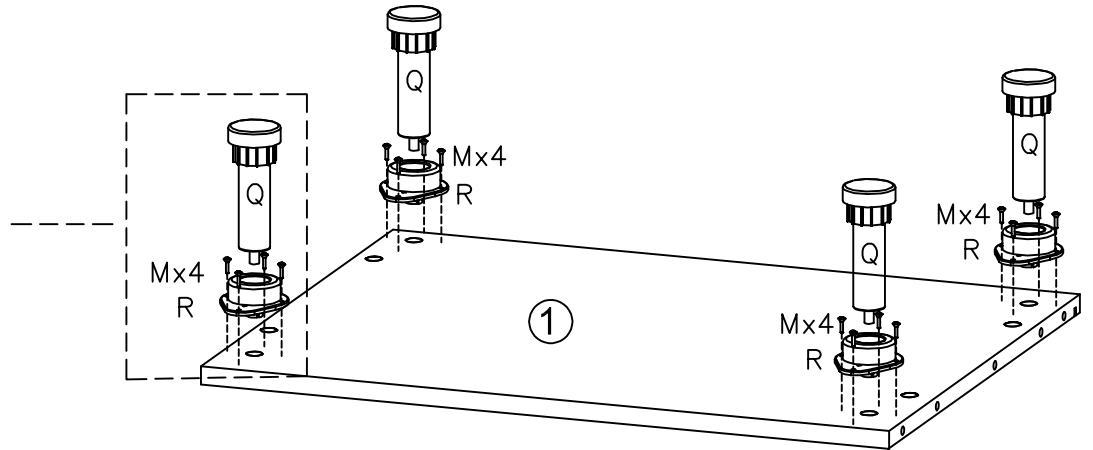
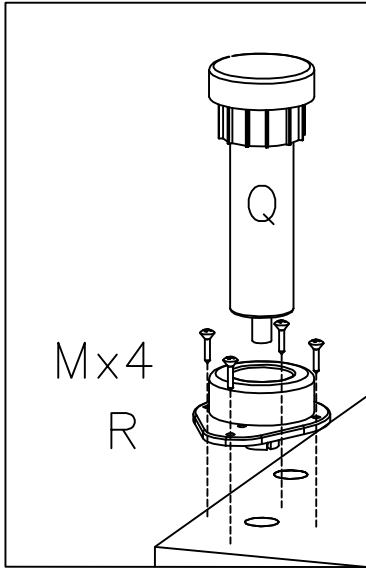
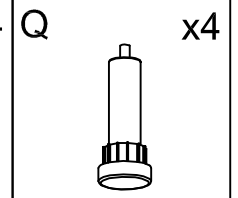
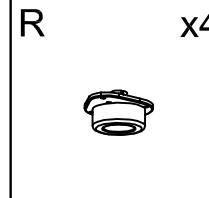
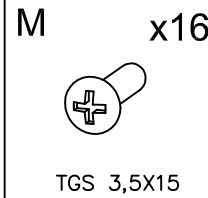
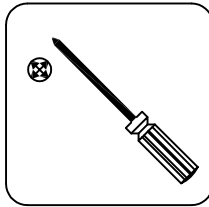
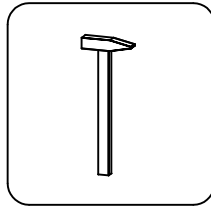
STEP.4_H000000140

8040001375	8040001376
V x4	Z x4
	

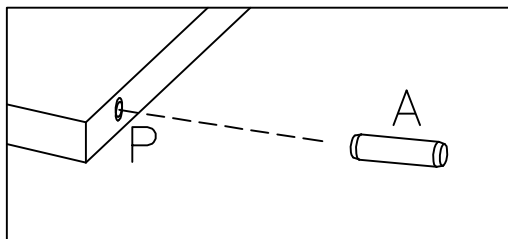
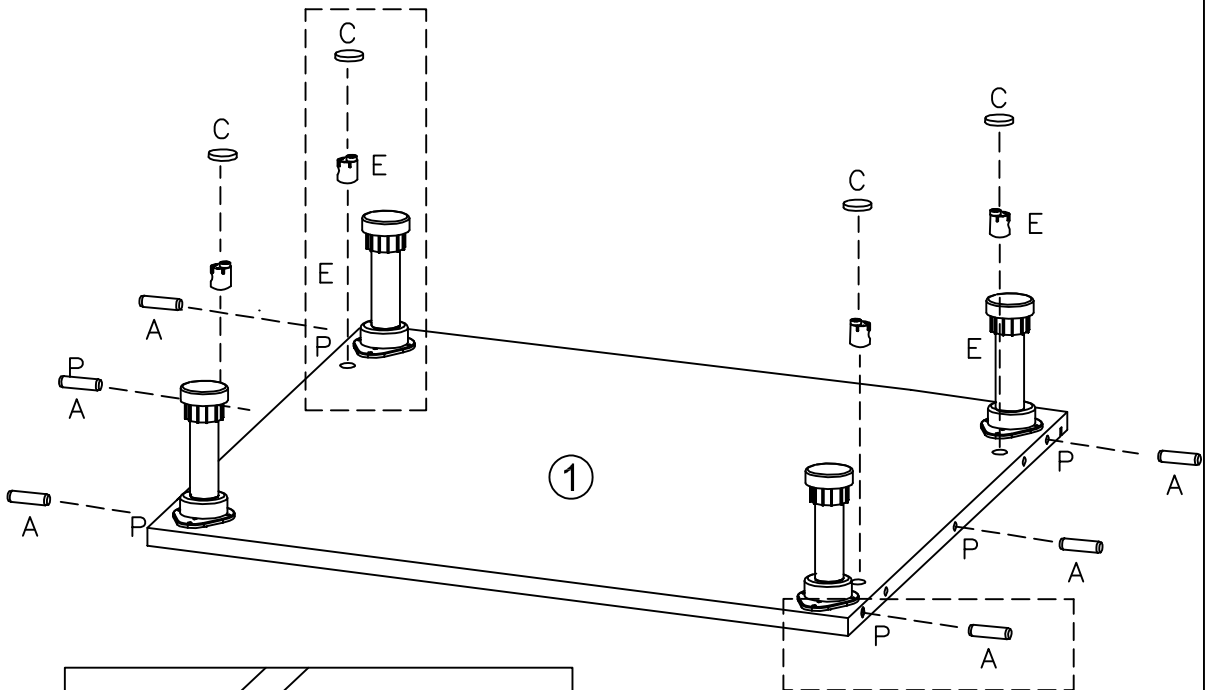
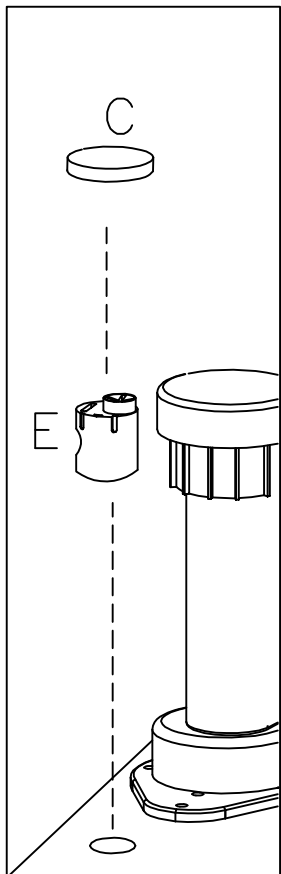
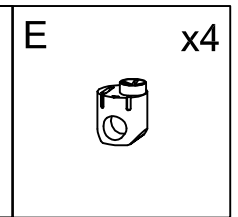
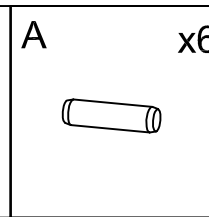
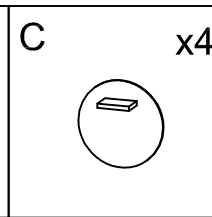
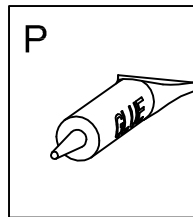
8230300014
P x1




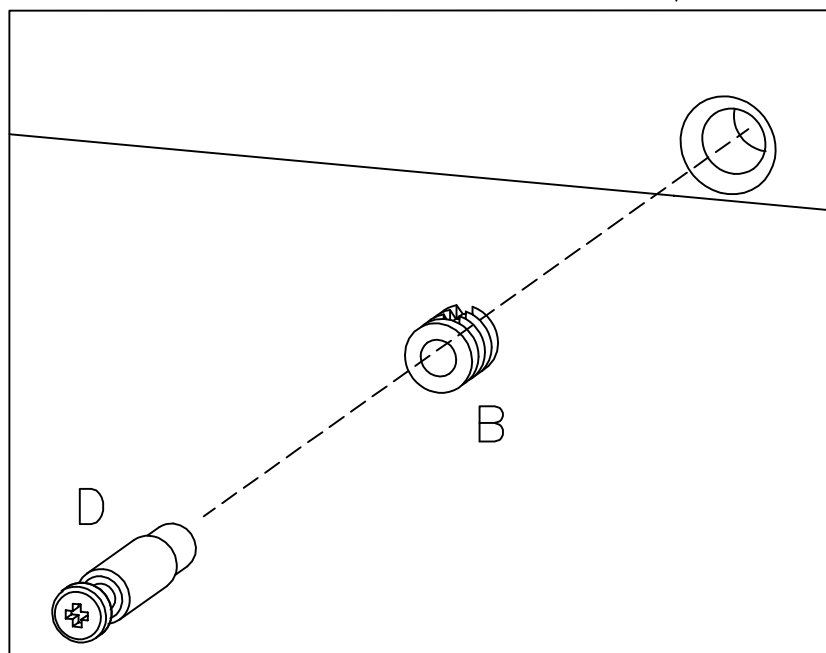
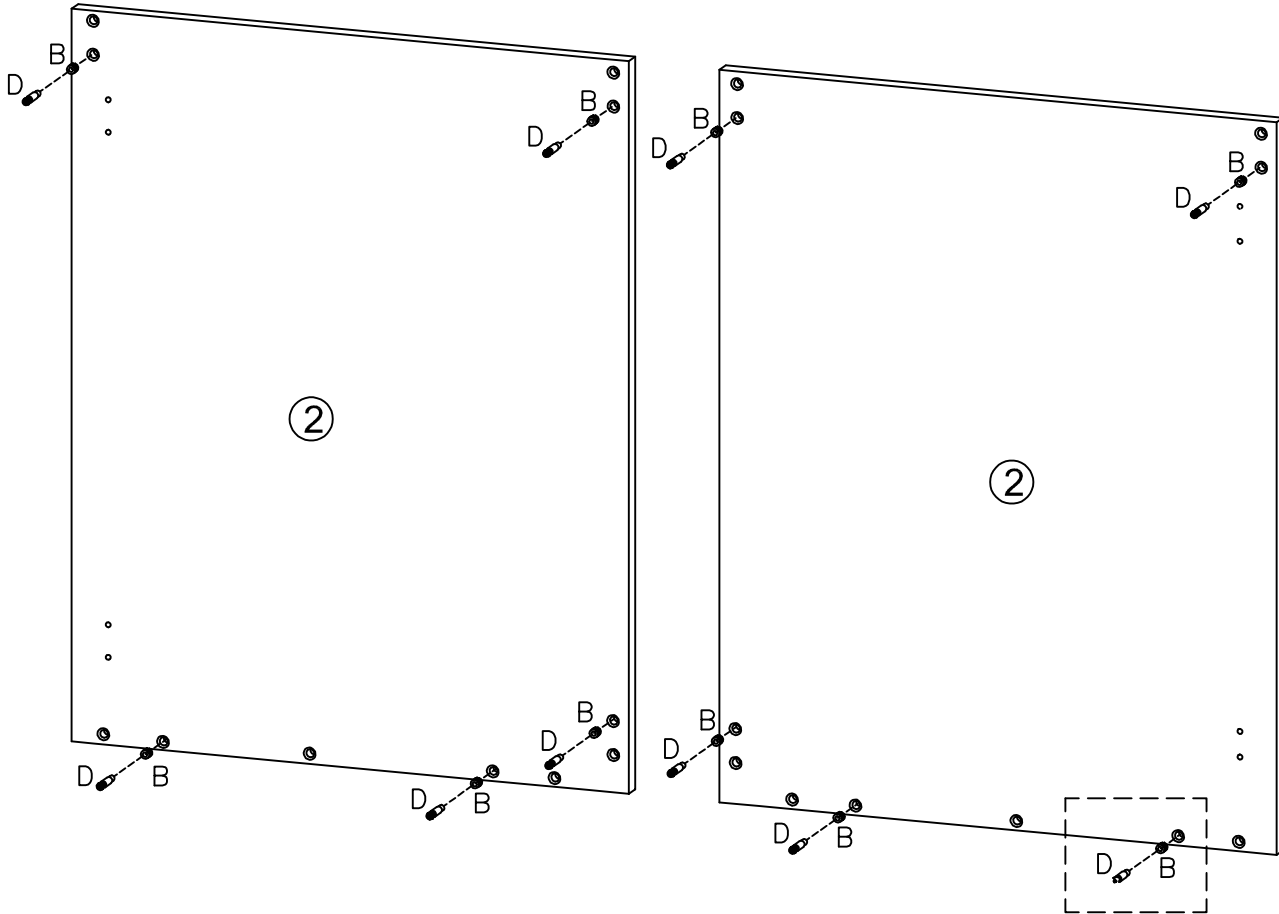
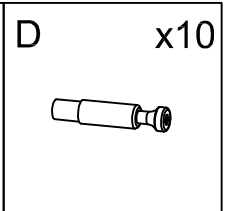
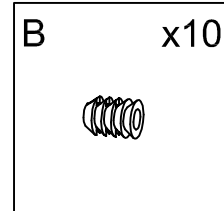
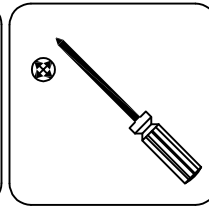
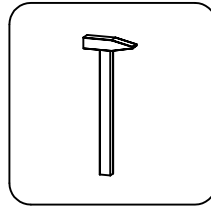
STEP.1- 01



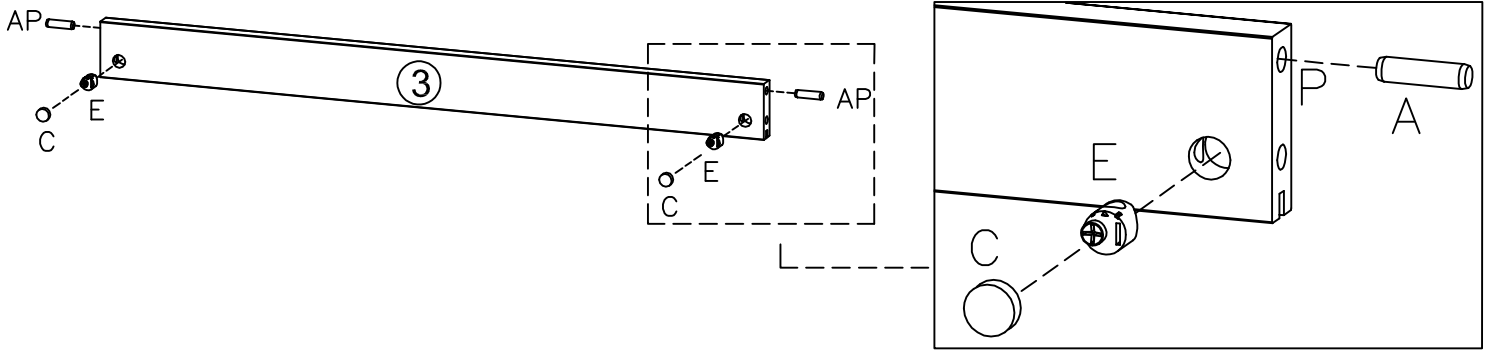
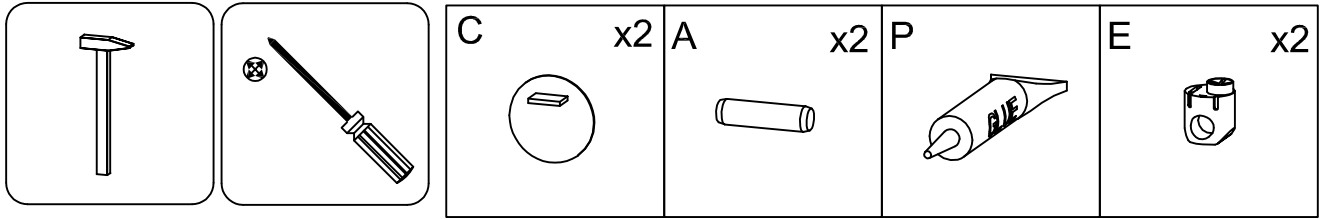
STEP.2- 01



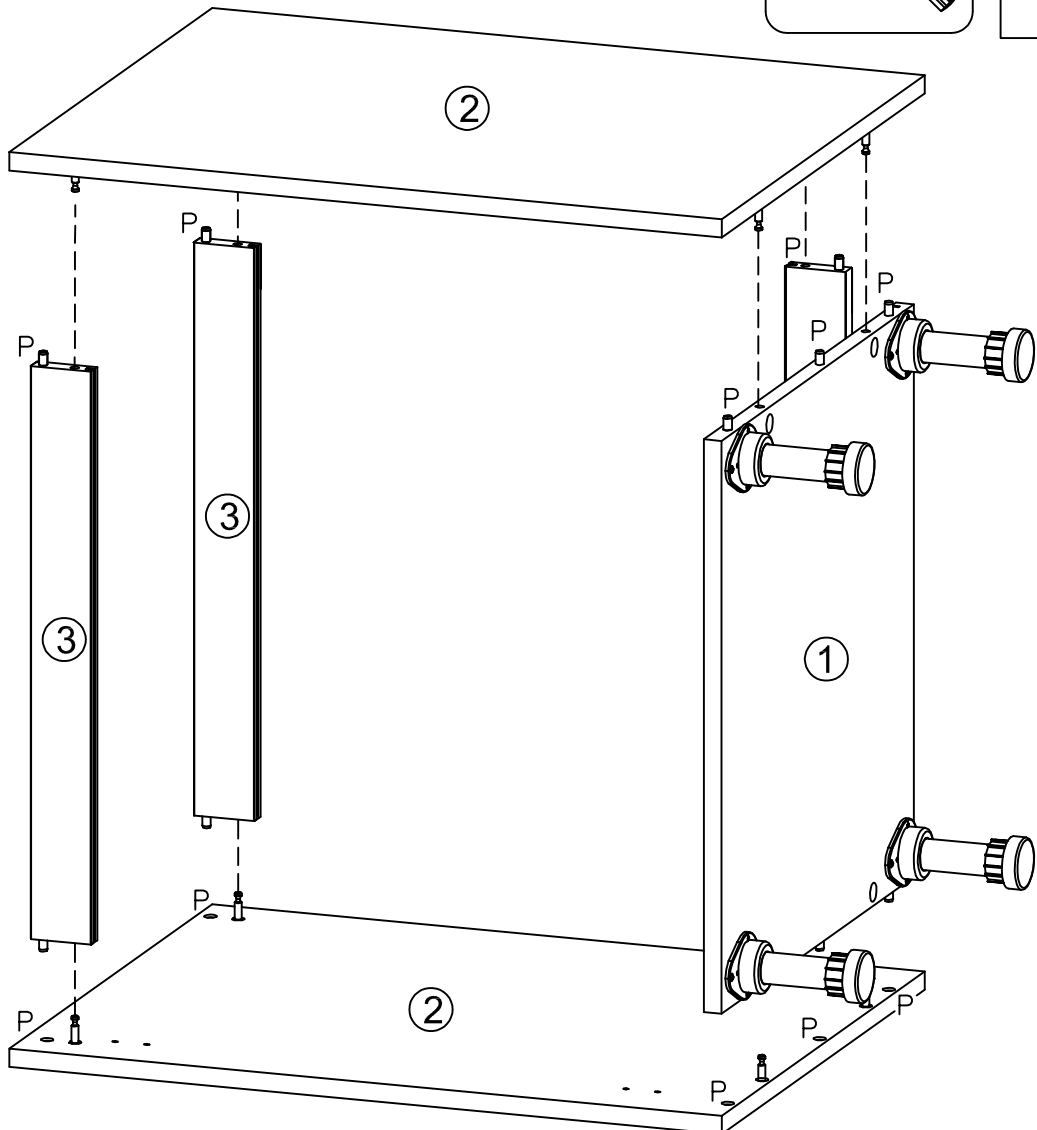
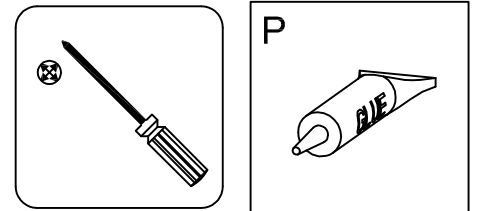
STEP.2- 02



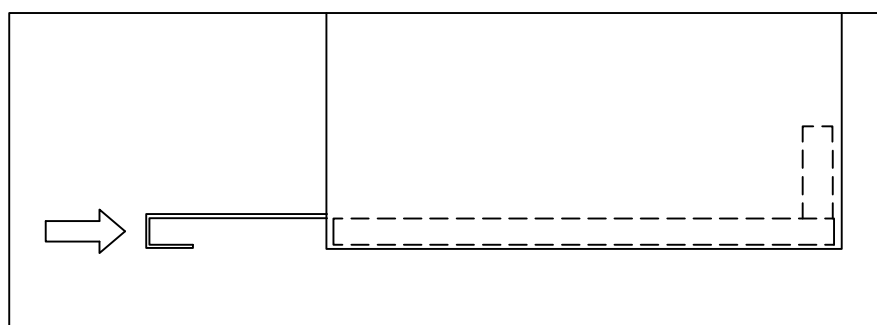
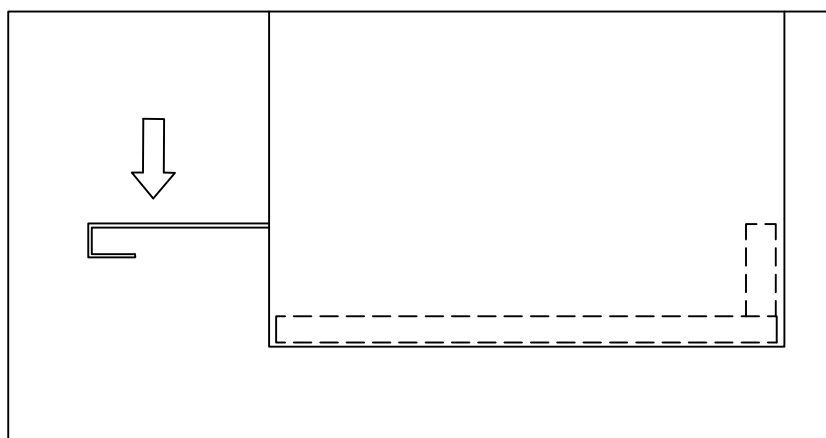
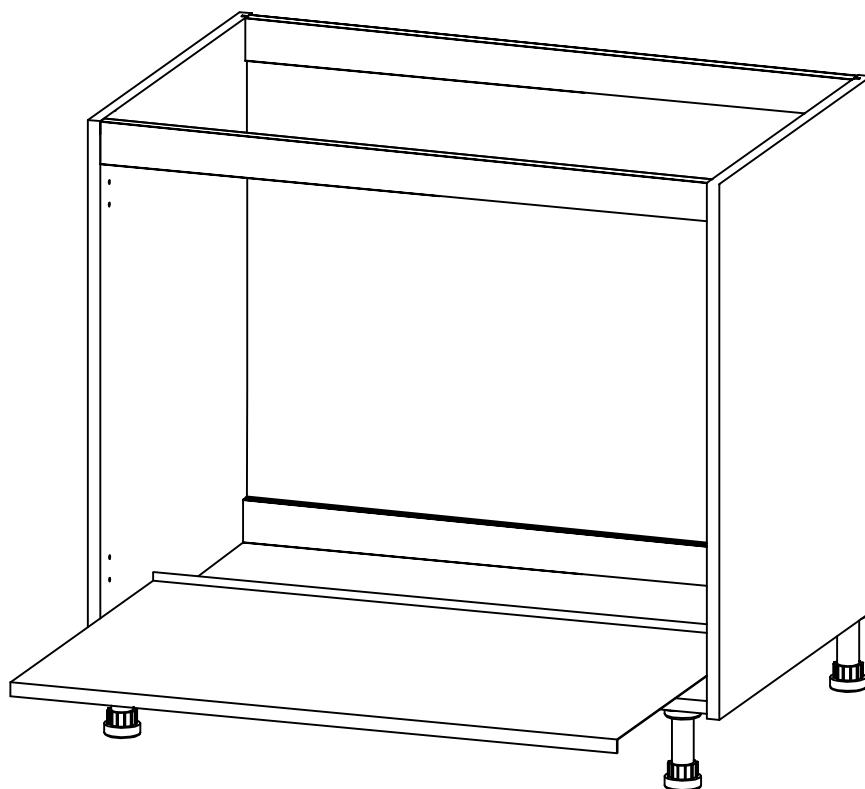
STEP.2- 03 X3



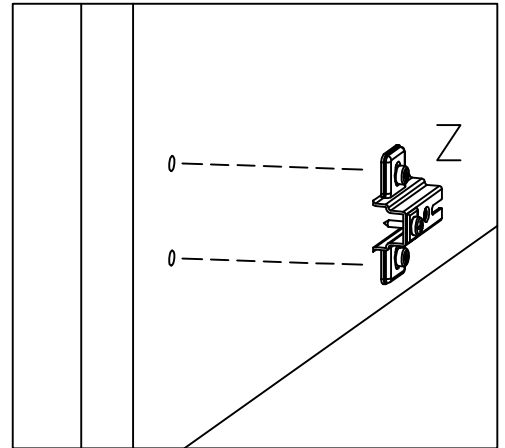
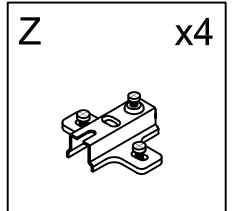
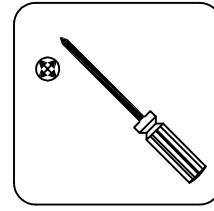
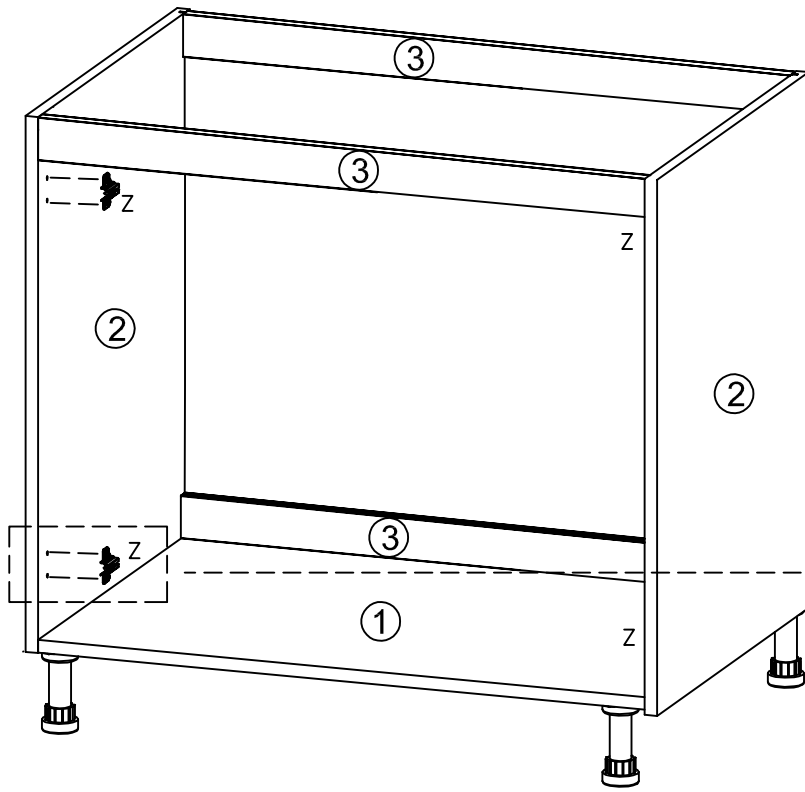
STEP.2- 04



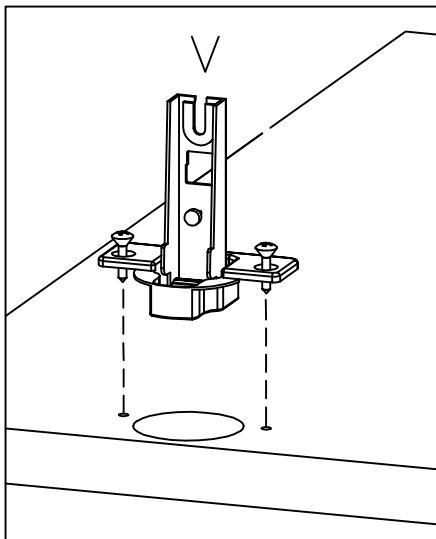
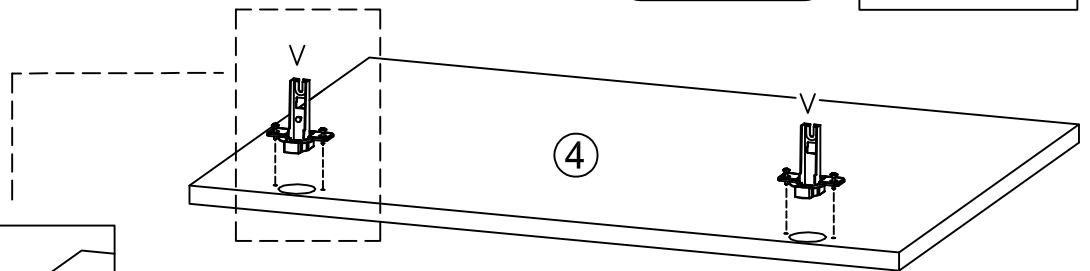
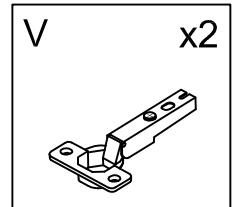
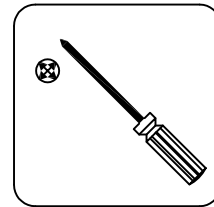
STEP.2- 05



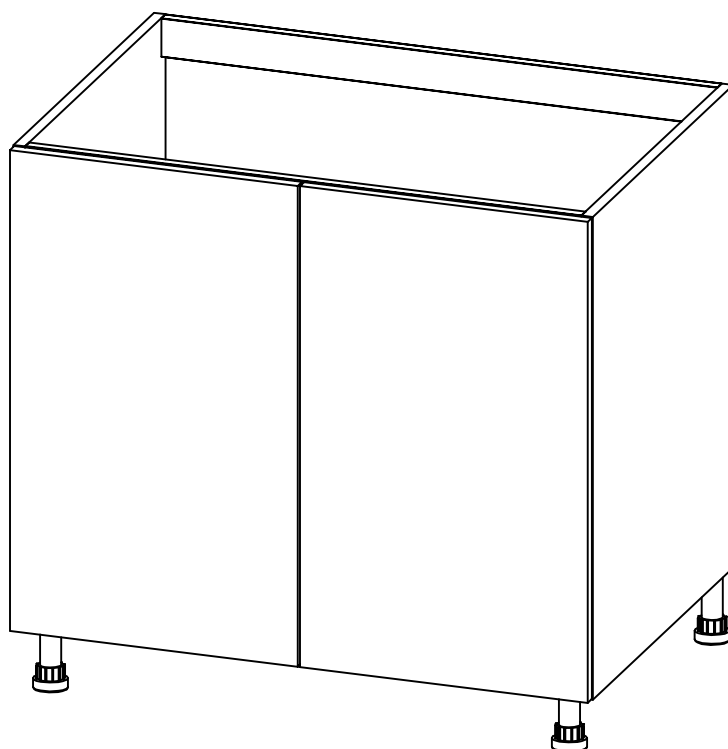
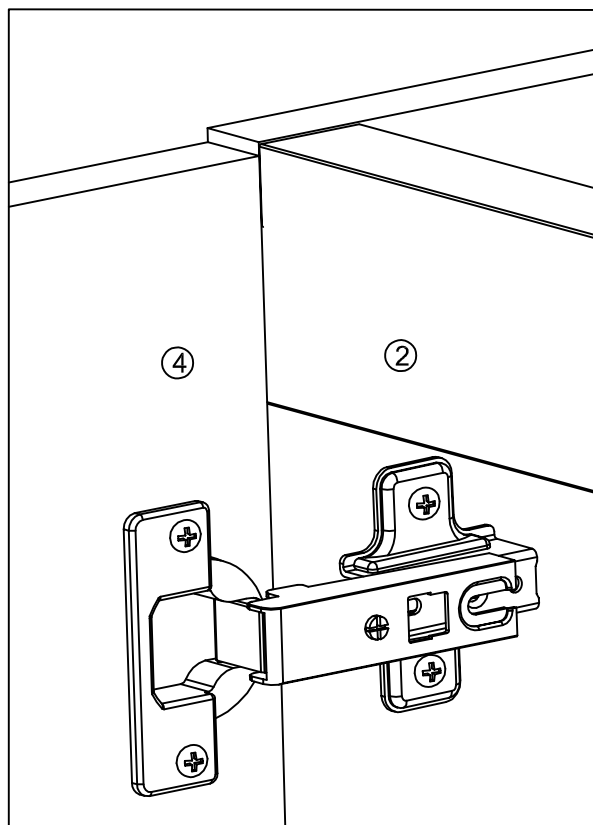
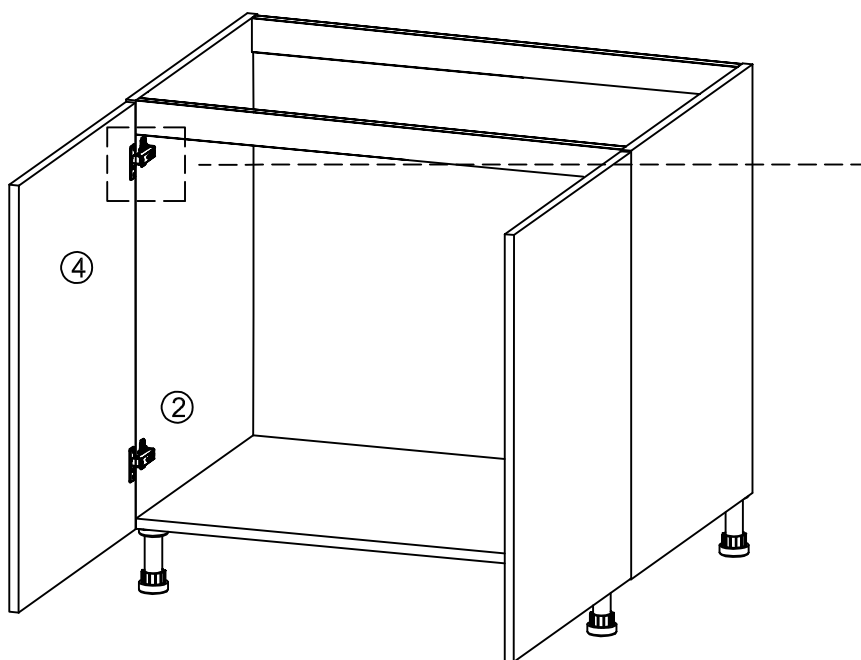
STEP.4- 01

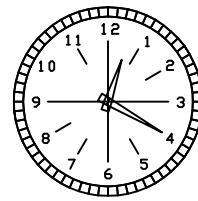
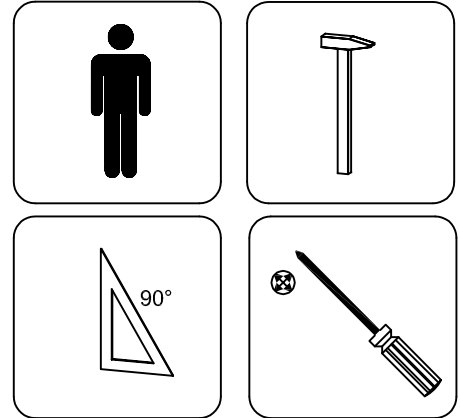
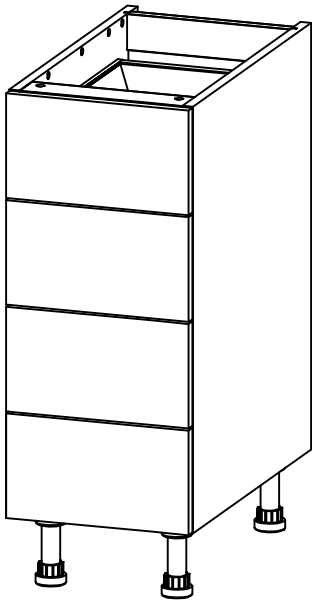


STEP.4- 02 X2



STEP.5- 01





45'

STEP.1_F712000001

8060000411	8060000412
Q x4	R x4

FN00000009K

STEP.2_FN00000009A

8140000013	8060000880	8060000439	8040001145	8040001144
A x10	B x10	C x8	D x8	E x8

8230300014
P x1





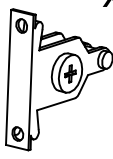




STEP.3_FN00000009B

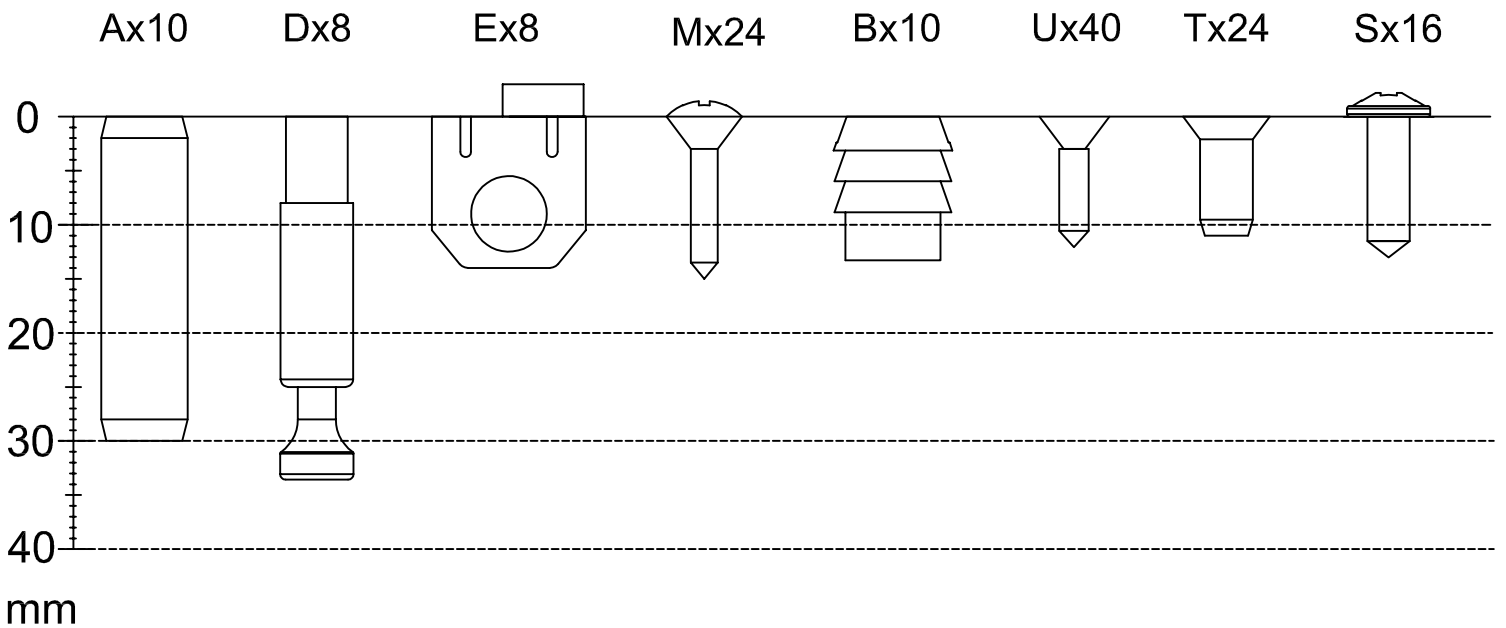
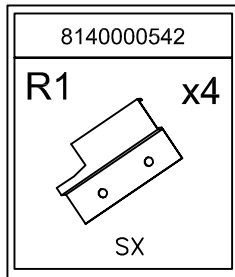
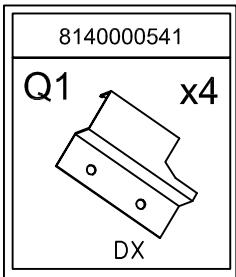
8040000762
L x10

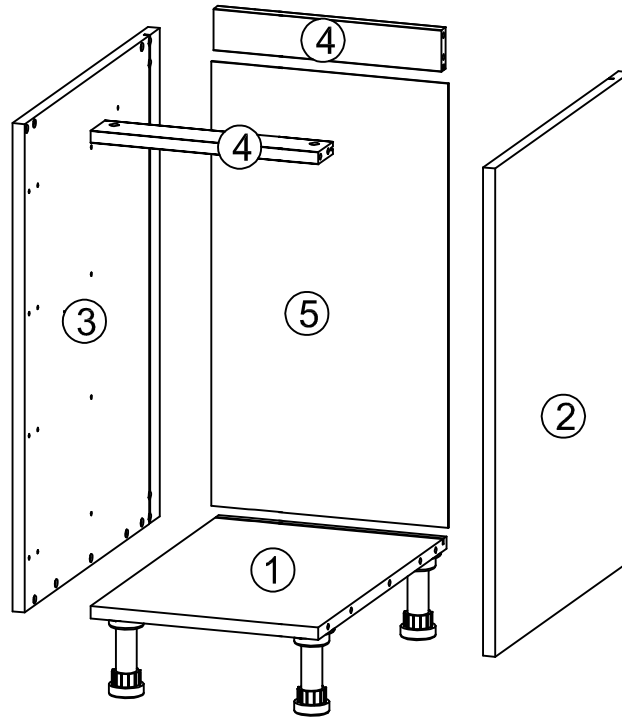
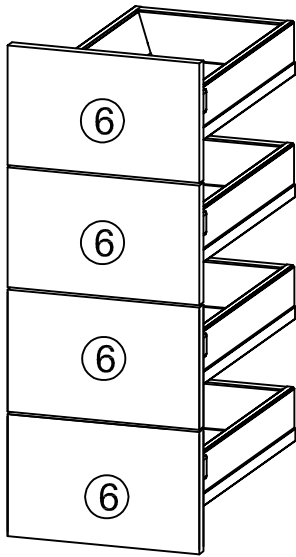
STEP.4_FN00000009C

8060000005	8060000010
M x24	N x2
TGS 3,5X15	

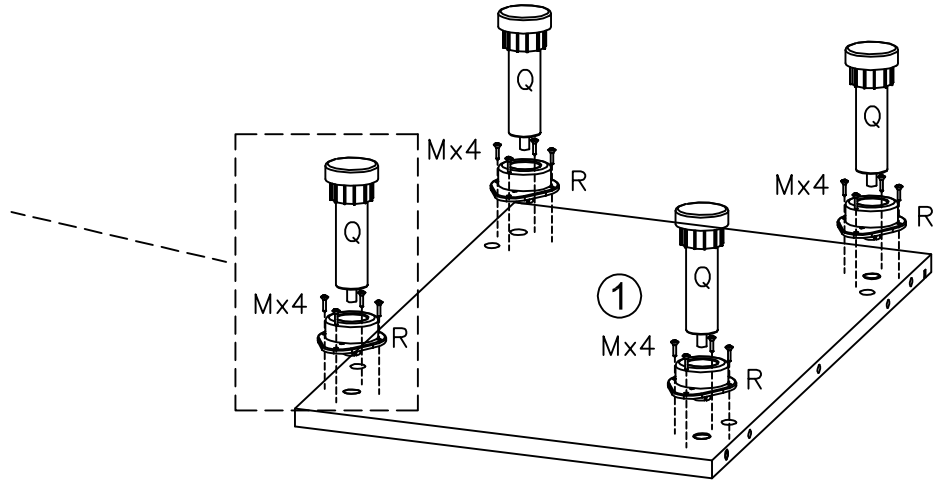
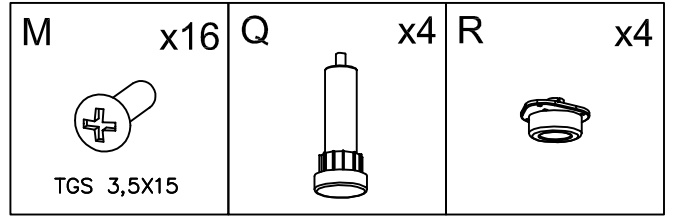
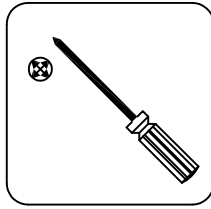
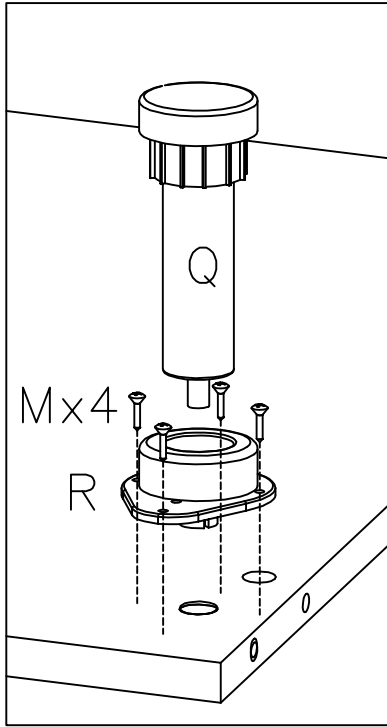
STEP.5_814000534

8040001362	8040000021	8040000771	8060000625	8060000693
S x16	T x24	U x40	V x8	Z x8
				
TCP 3.9X13	EURO 6.3X11	TSP 3.5X12		
8140000535	8140000536	8140000537	8140000538	
A1 x4	B1 x4	C1 x4	D1 x4	
				
DX	SX	DX	SX	

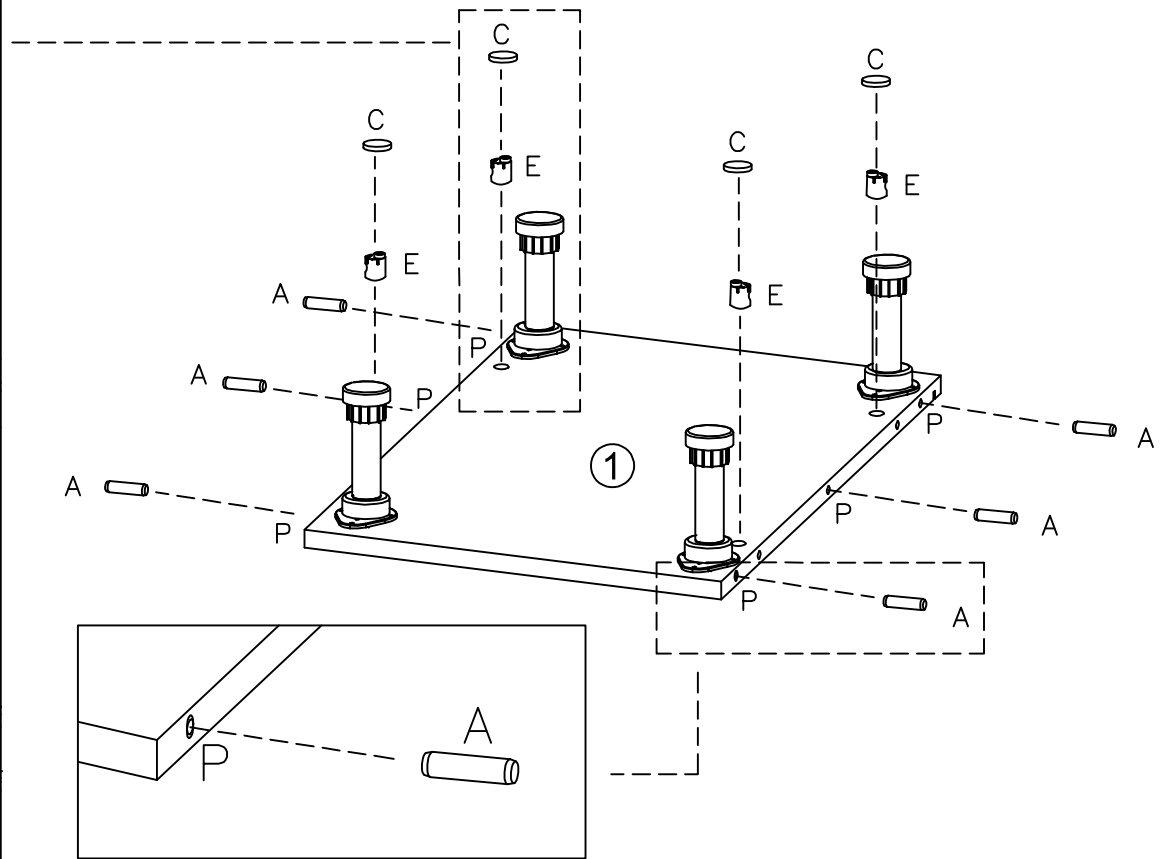
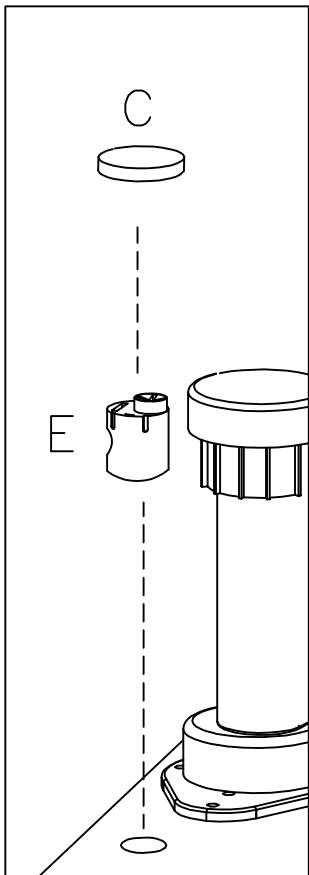
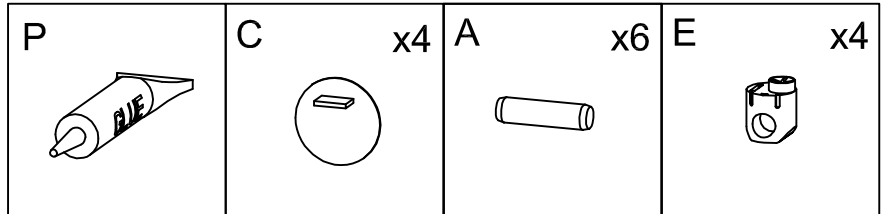




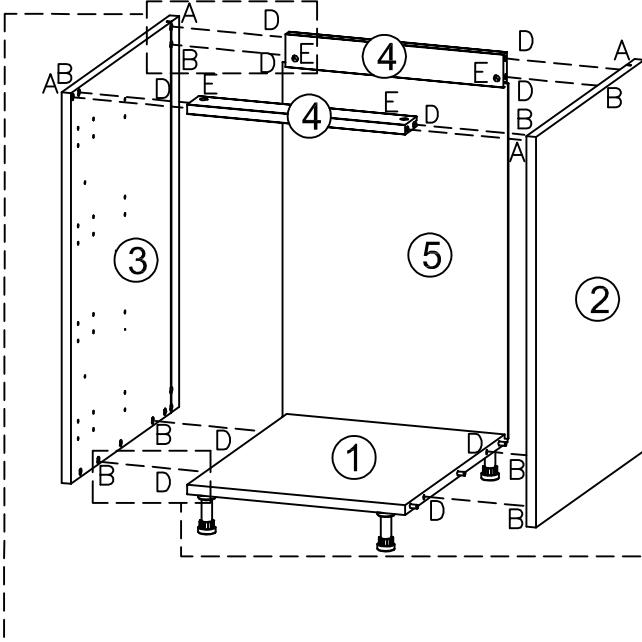
STEP.1 - 01



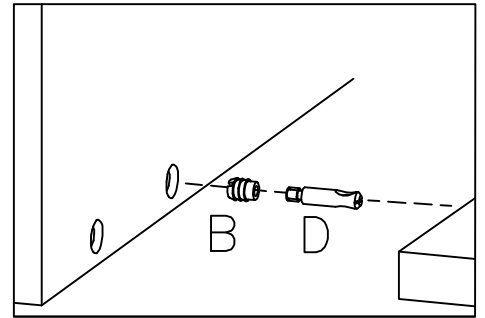
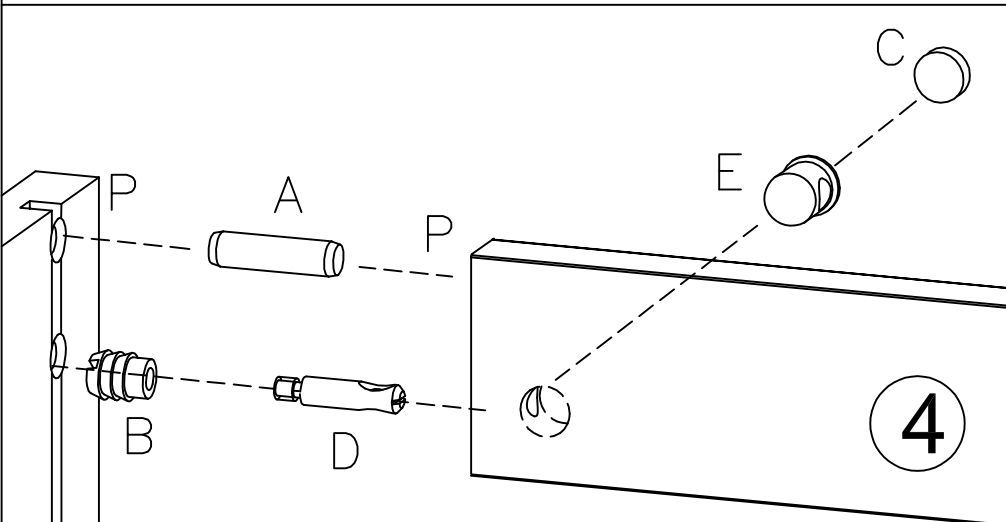
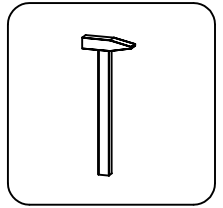
STEP.2- 01



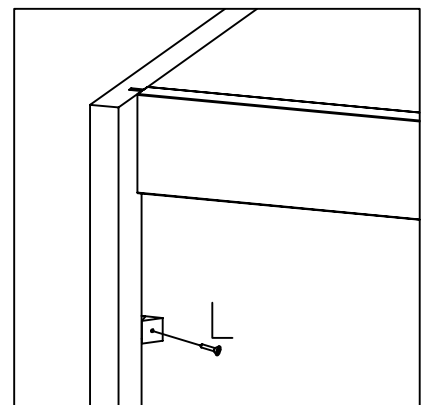
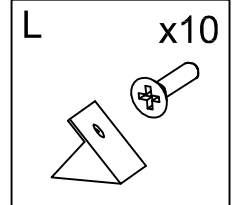
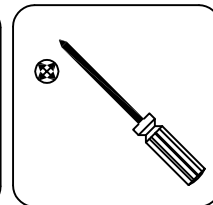
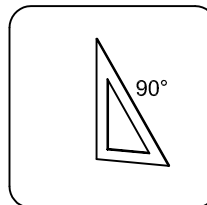
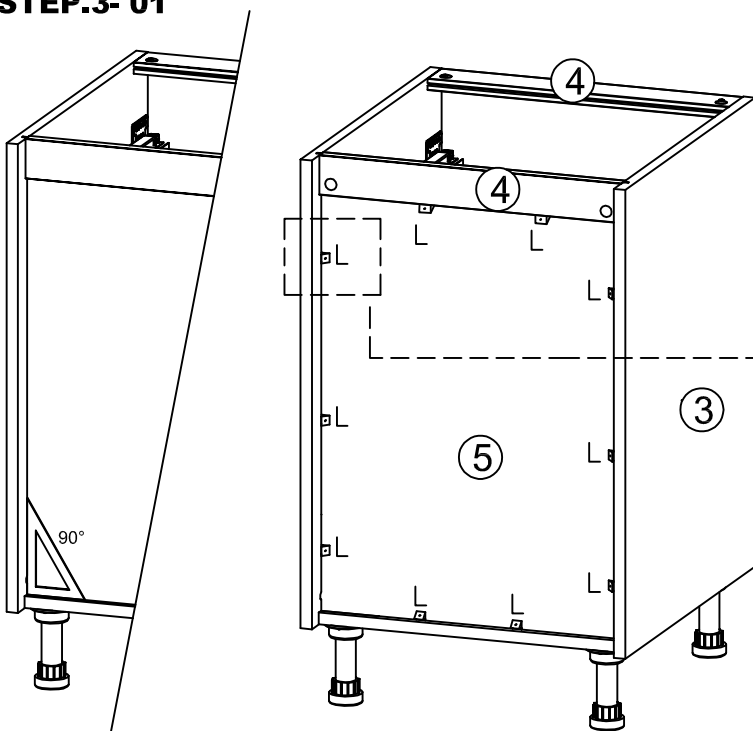
STEP.2- 02



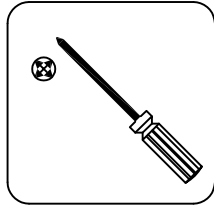
C	x4	A	x4	E	x4
B	x8	D	x6	P	



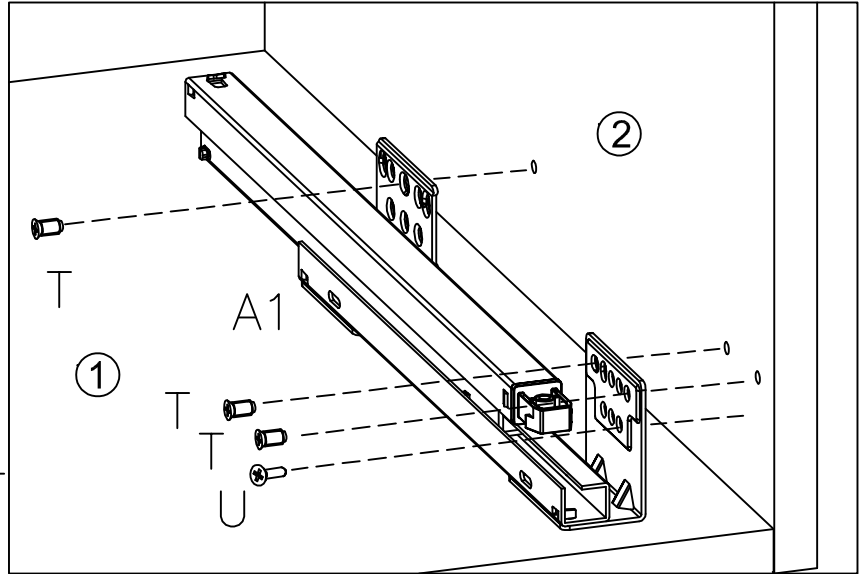
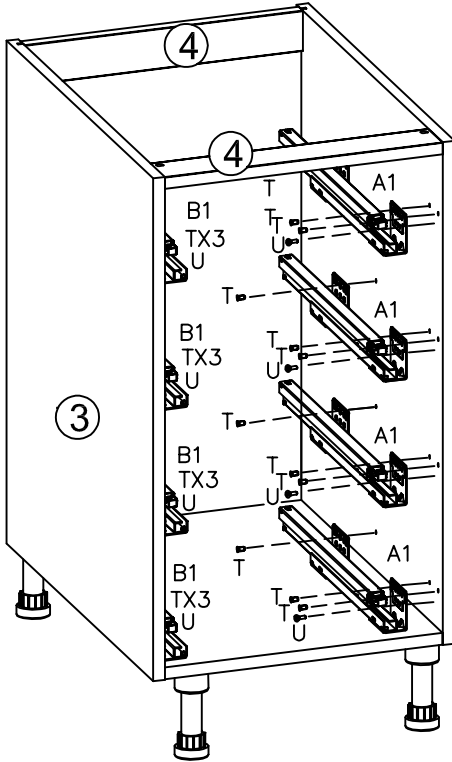
STEP.3- 01



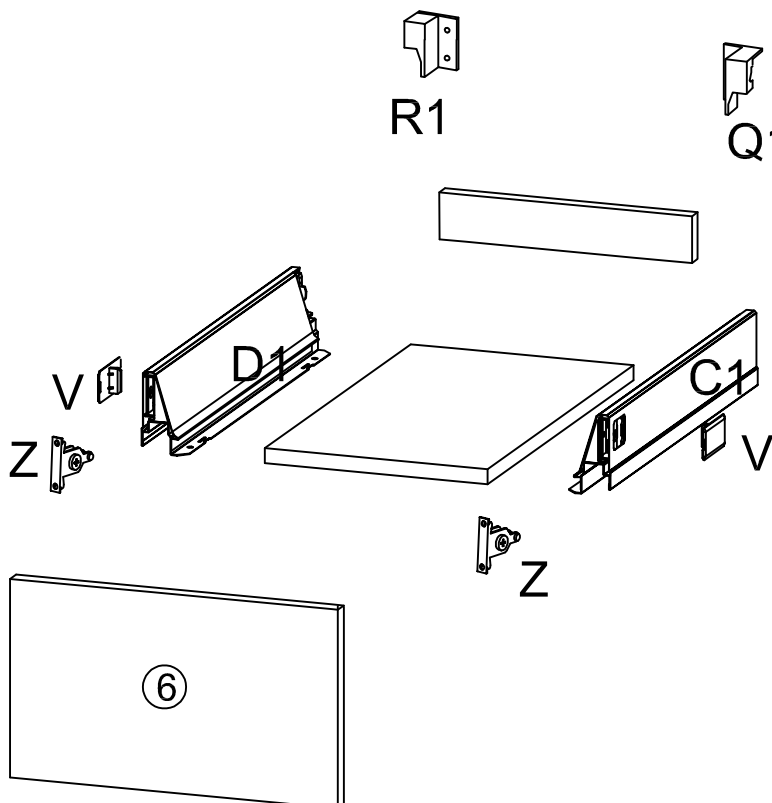
STEP.5- 01



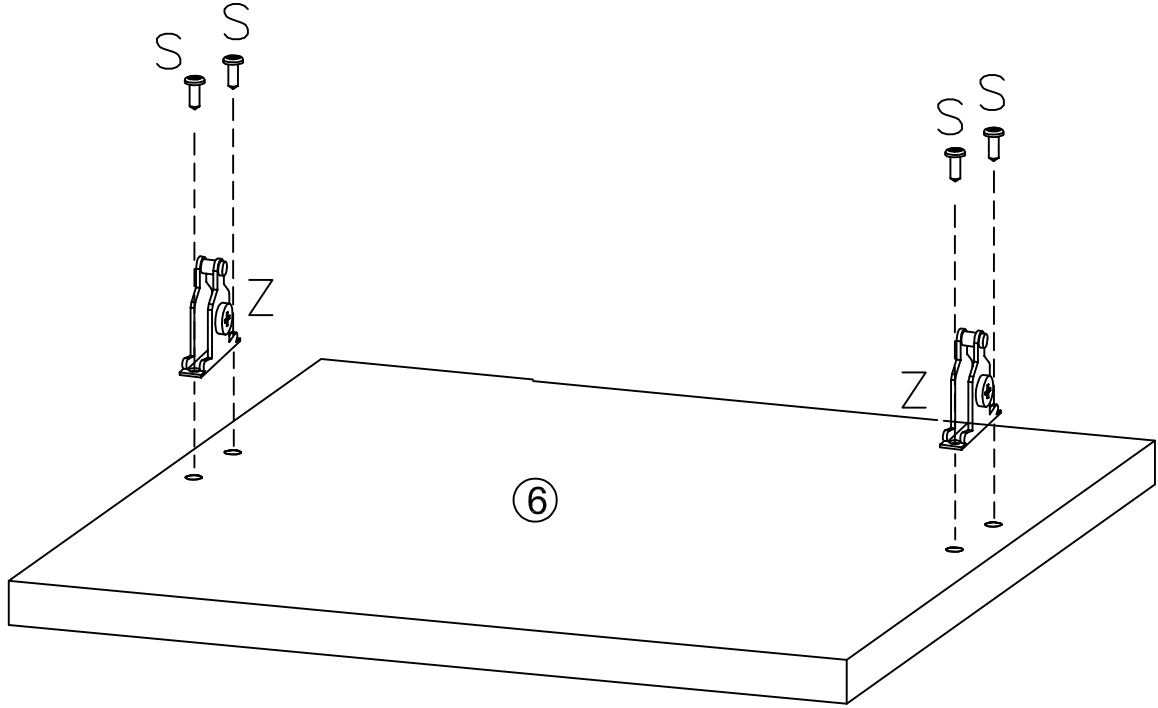
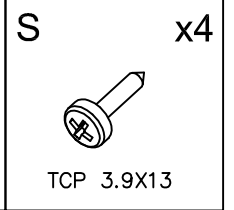
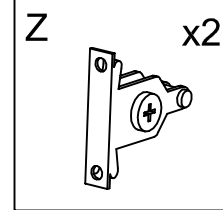
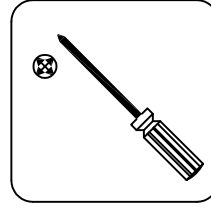
U	x8	T	x24	B1	x4	A1	x4
TSP 3.5X12		EURO 6.3X11		SX		DX	



STEP.5- 02 X4

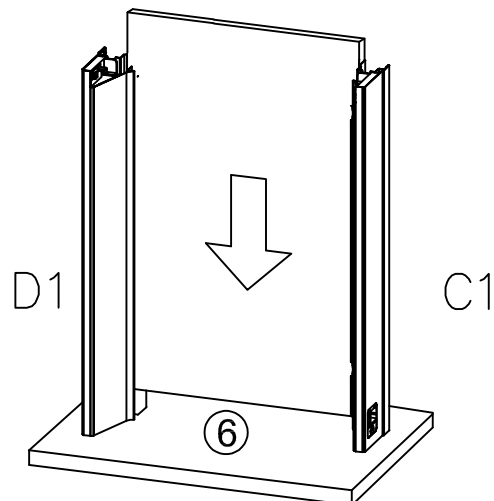
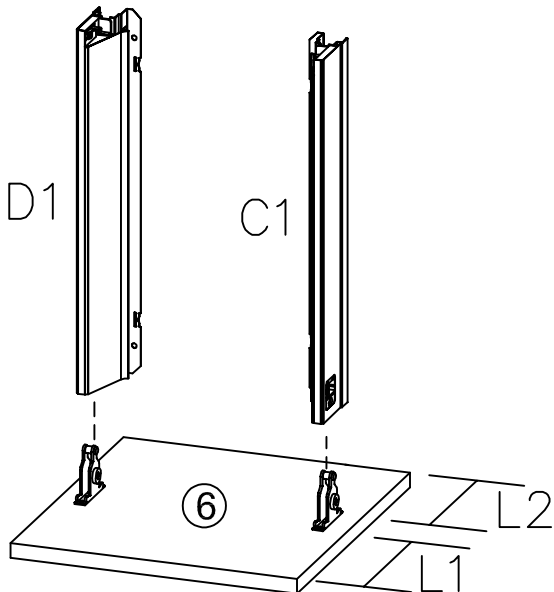
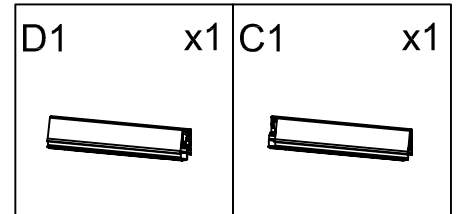


STEP.5- 03 X4

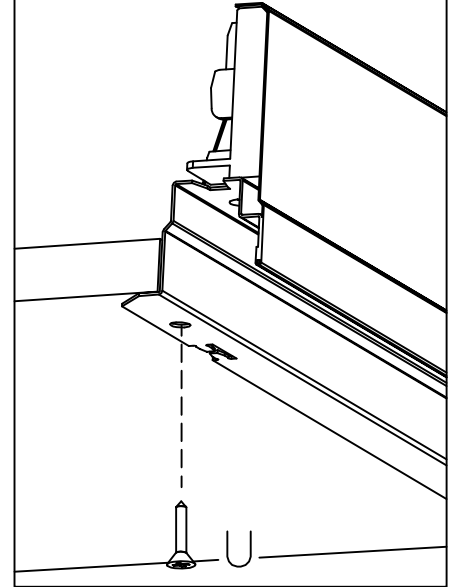
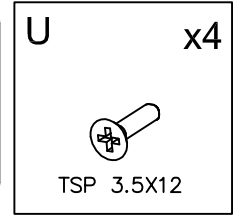
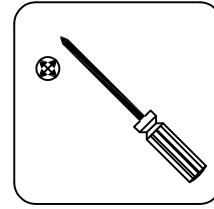
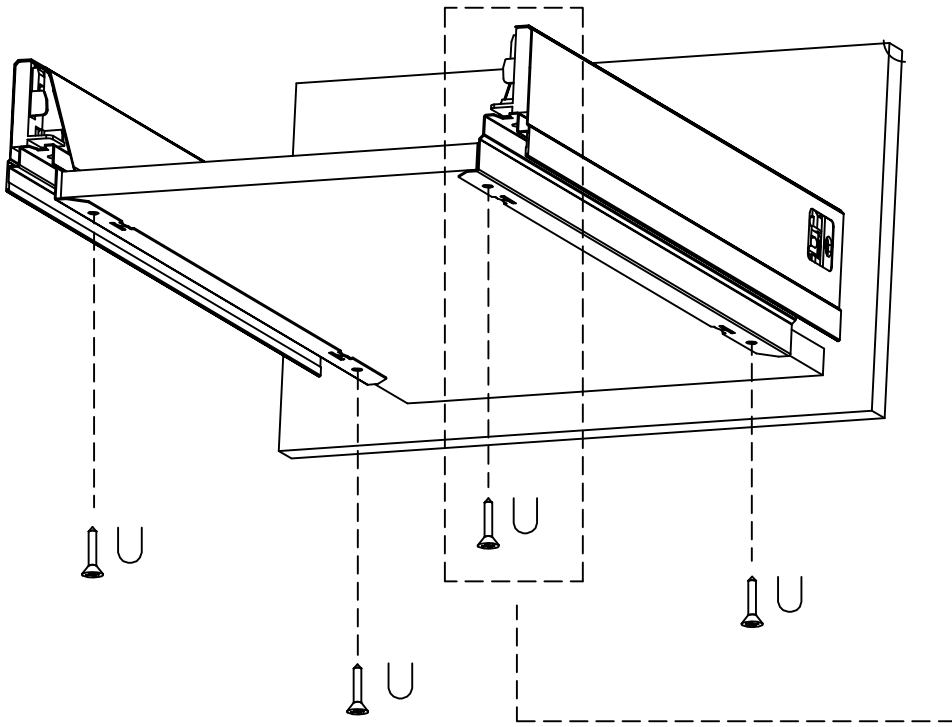


STEP.5- 04 X4

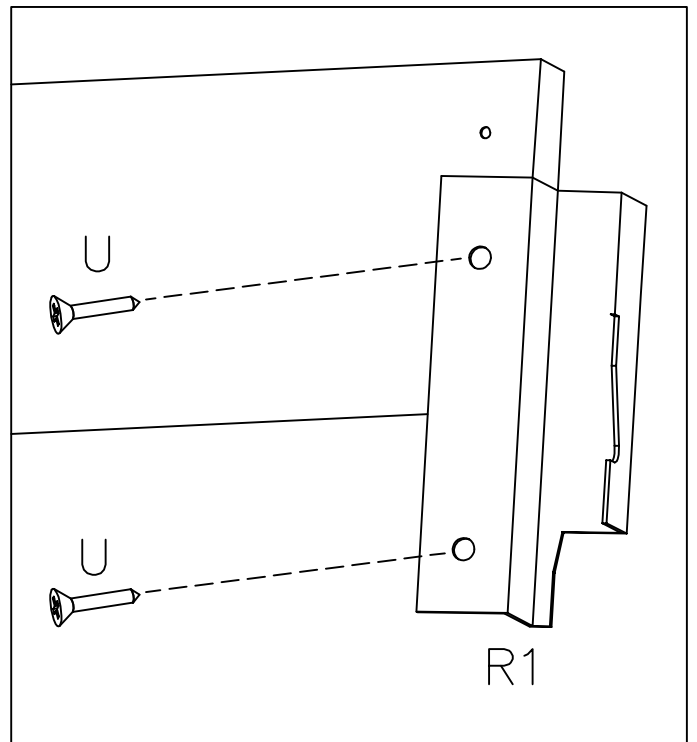
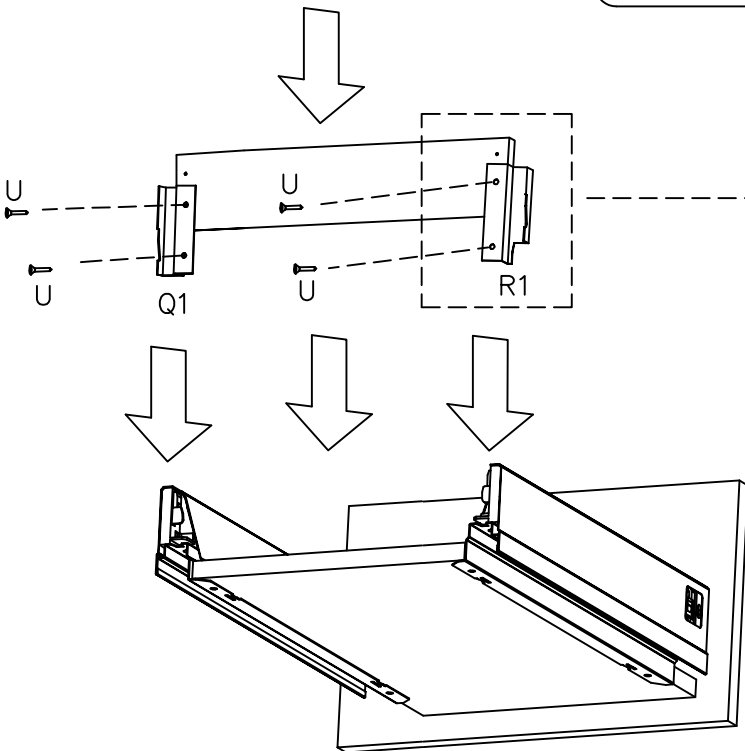
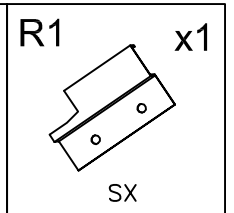
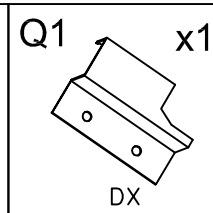
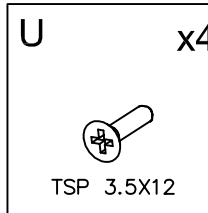
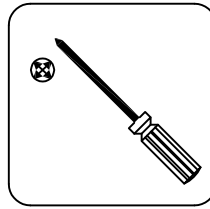
$$L2 = L1 + \frac{1}{17}''$$



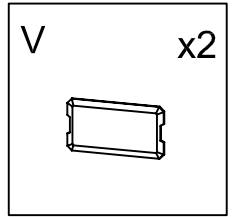
STEP.5- 05 X4



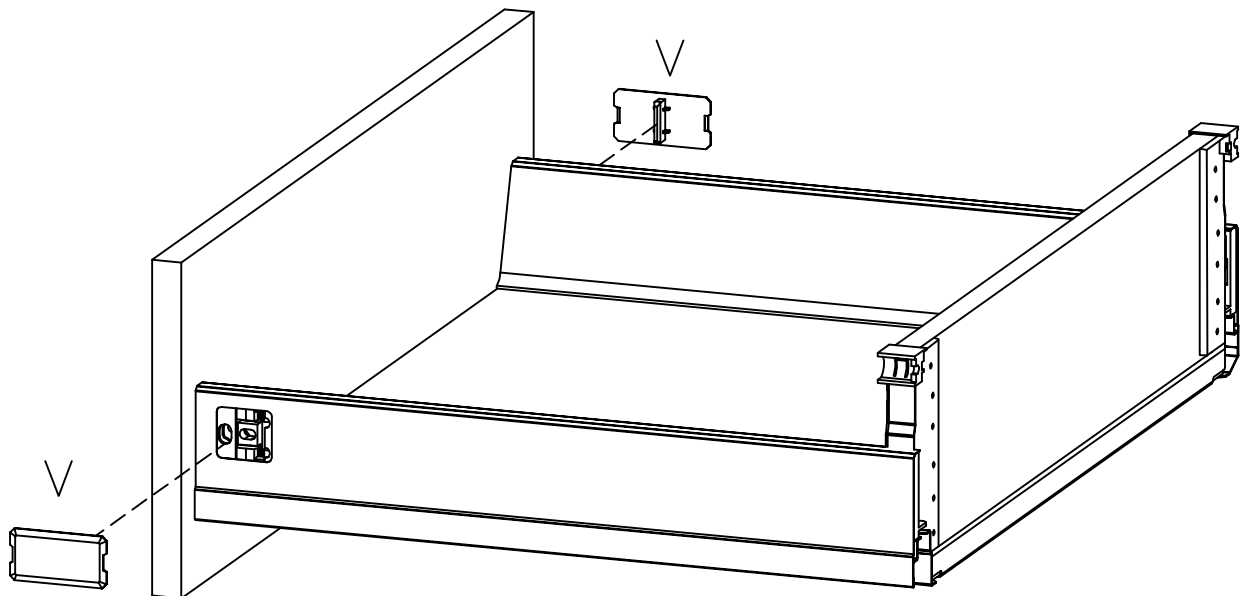
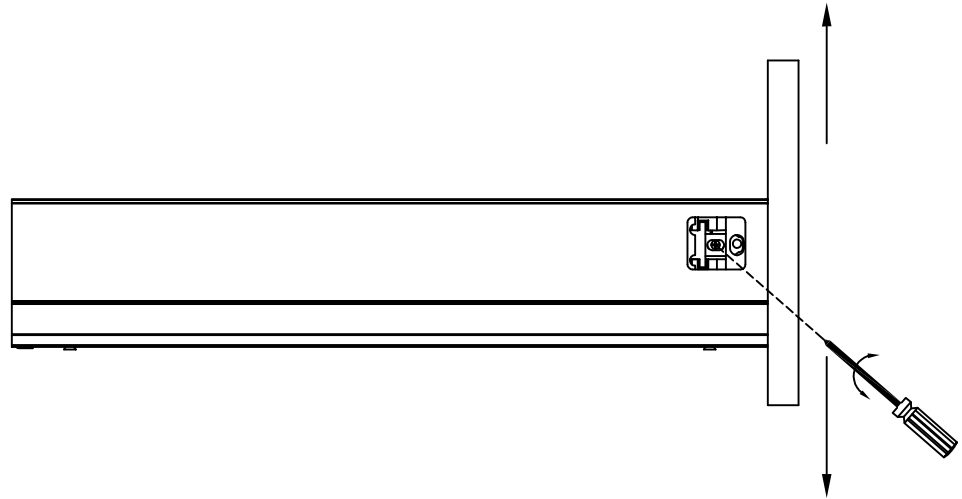
STEP.6- 01 X4

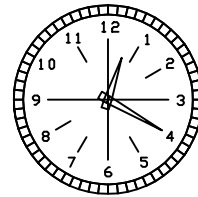
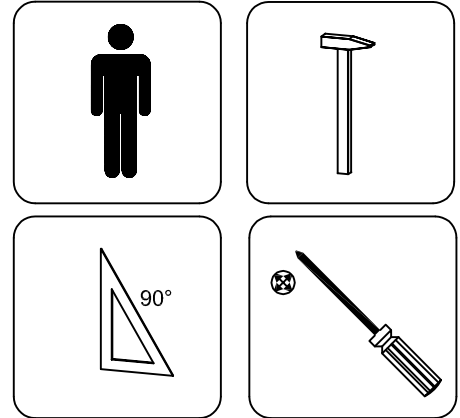
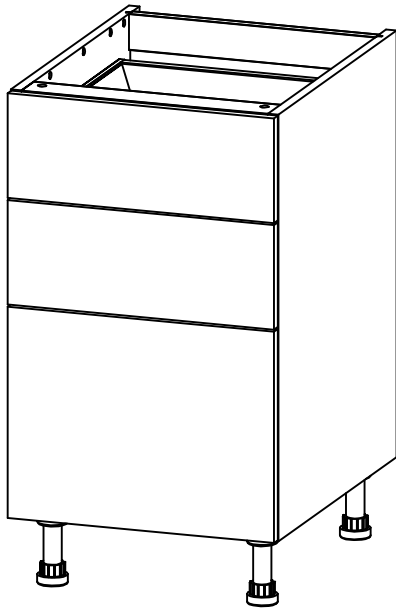


STEP.6- 02 X4



① REGOLAZIONI
② adjustments





45'

STEP.1_F712000001

8060000411	8060000412
Q x4	R x4

FN00000009K

STEP.2_FN00000009A

8140000013	8060000880	8060000439	8040001145	8040001144
A x10	B x10	C x8	D x8	E x8

8230300014
P x1





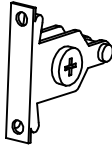




STEP.3_FN00000009B

8040000762	8060000156
L x10	G x6




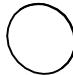

STEP.4_FN00000009C

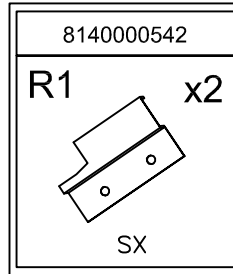
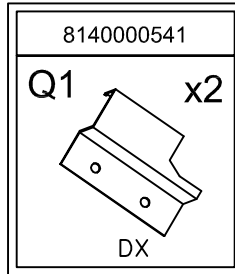
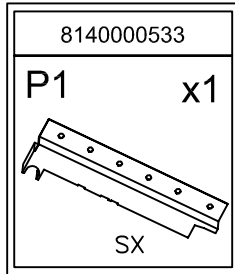
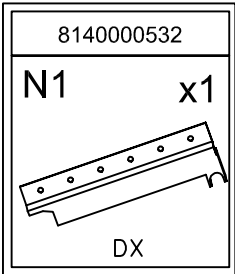
8060000005	8060000010
M x24	N x2
TGS 3,5X15	

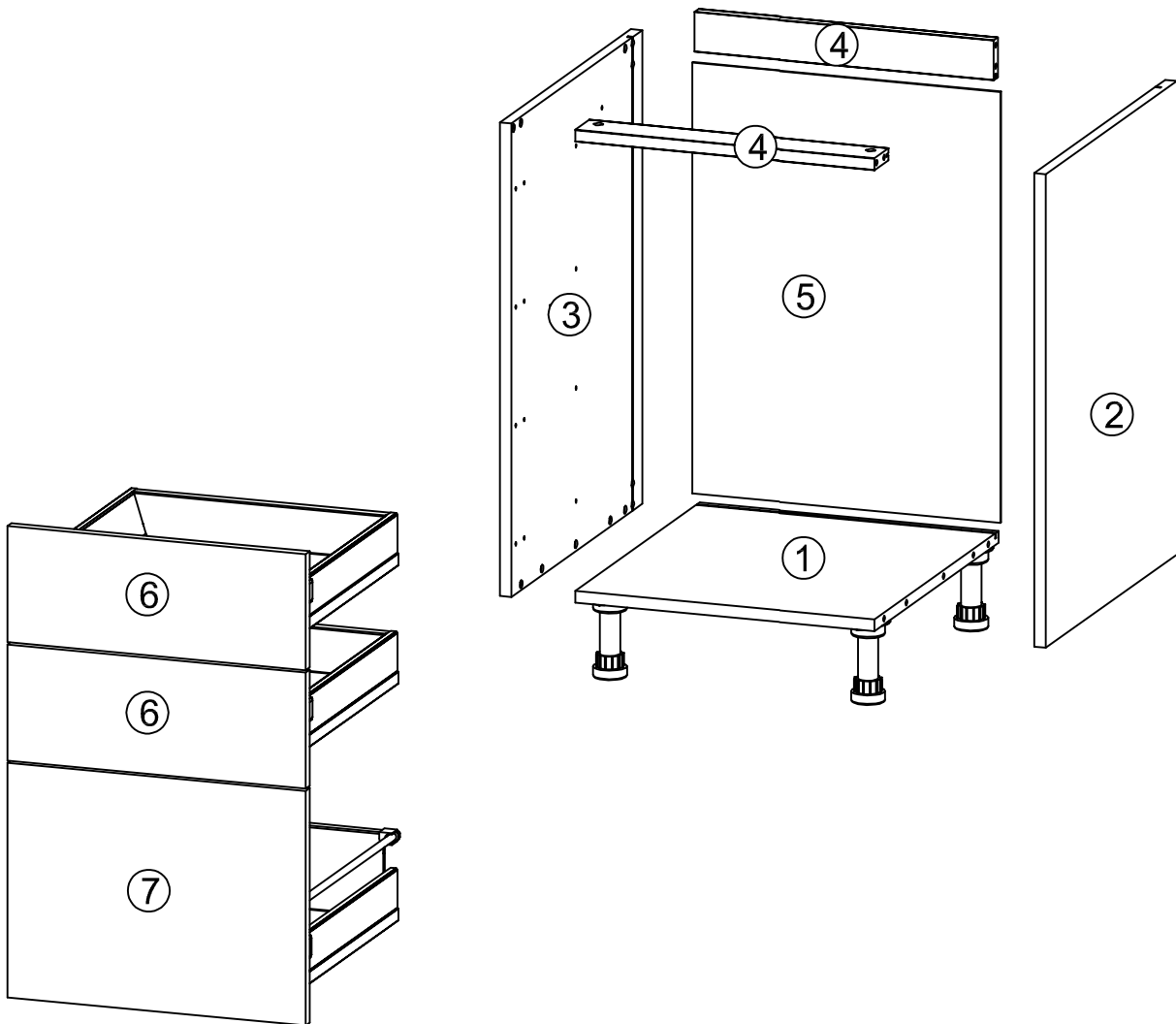
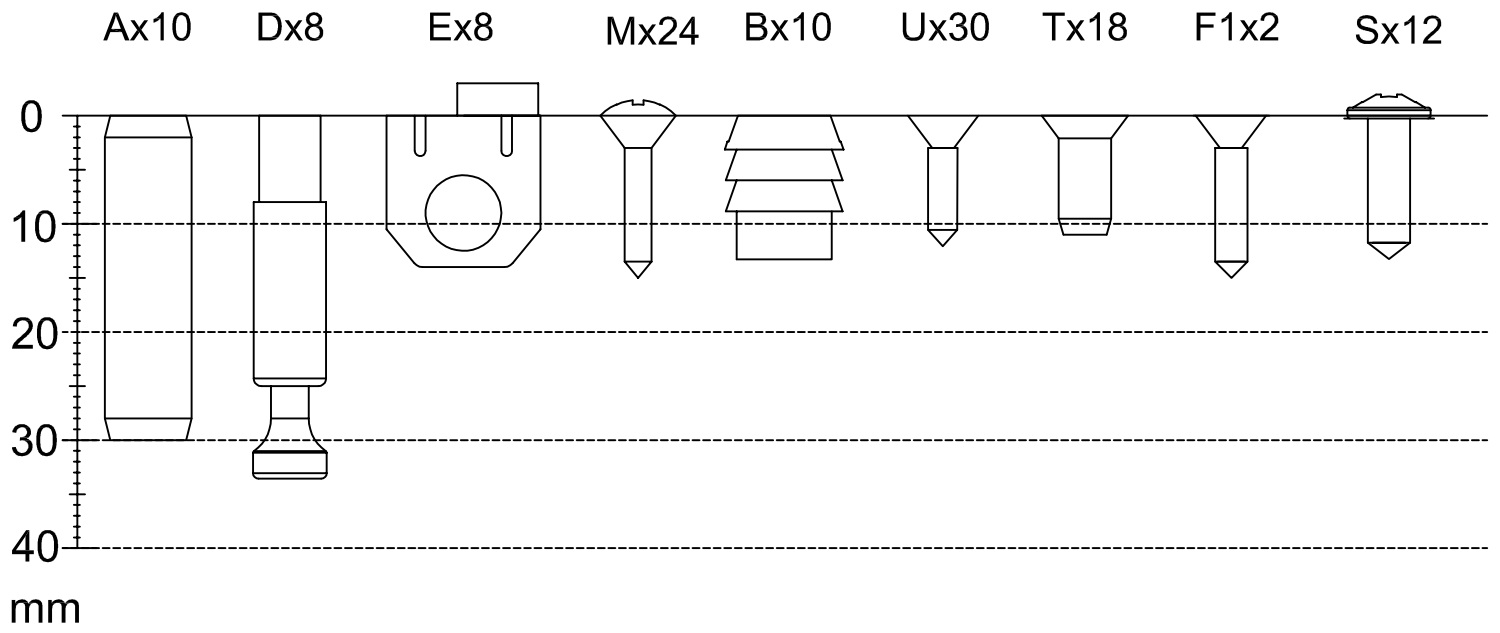
STEP.5_814000534

8040001362	8040000021	8040000771	8060000625	8060000693
S x12	T x18	U x30	V x6	Z x6
				
TCP 3,9X13	EURO 6,3X11	TSP 3,5X12		
8140000535	8140000536	8140000537	8140000538	
A1 x3	B1 x3	C1 x3	D1 x3	
				
DX	SX	DX	SX	

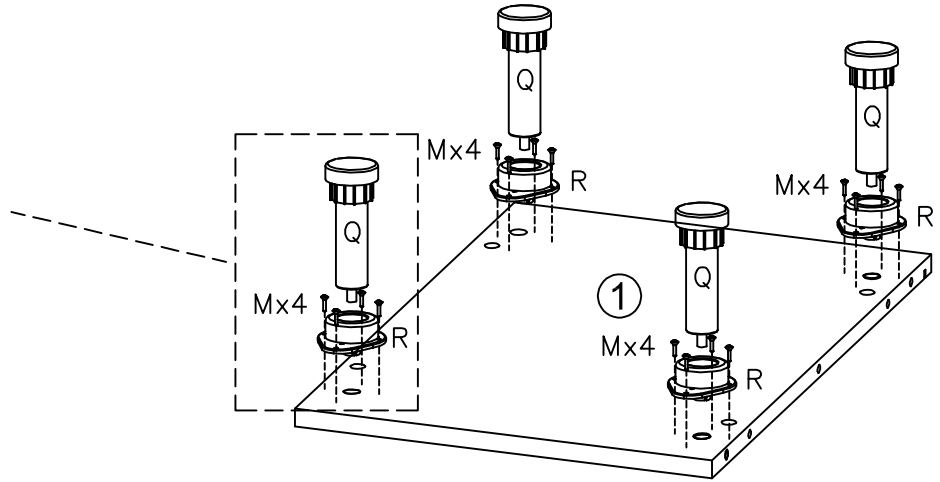
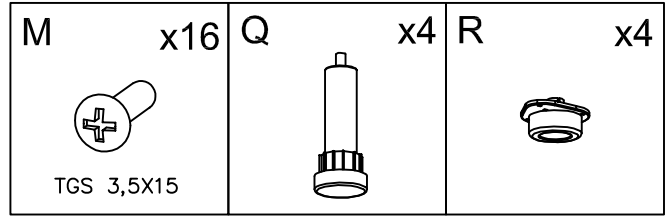
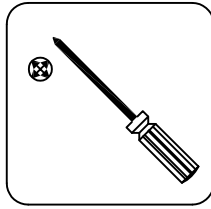
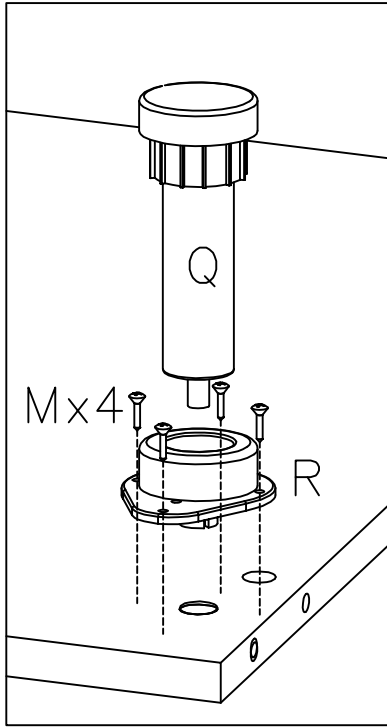
STEP.6_814000547

8040000045	8040000515	8040000516	8040000520	80400000548
F1 x2	G1 x2	H1 x2	L1 x2	M1 x2
				
TSP 3,5X15			D10	

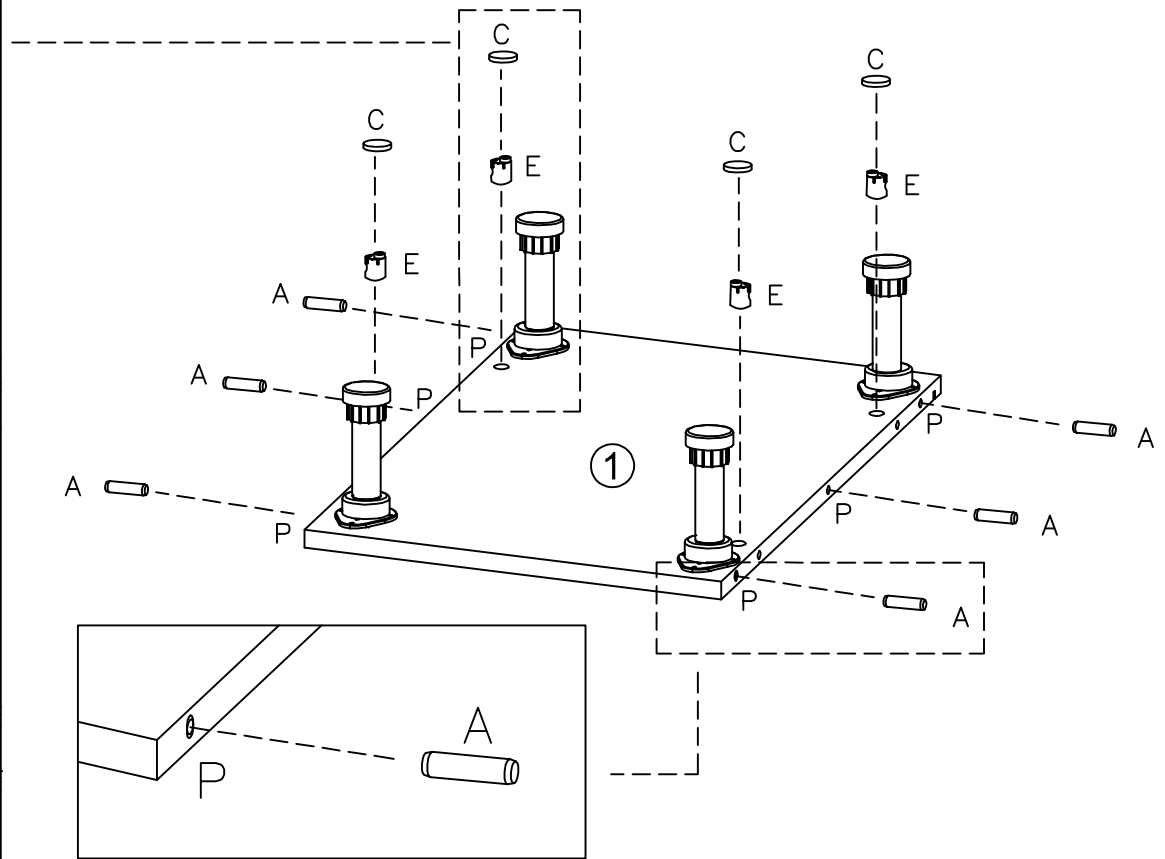
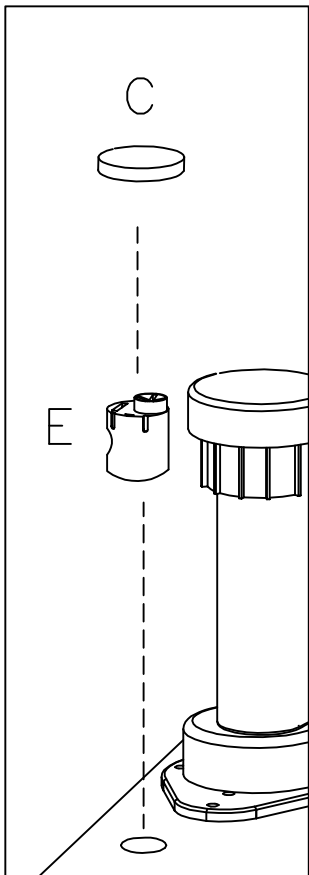
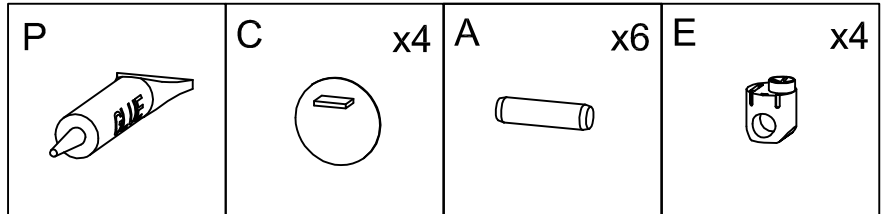




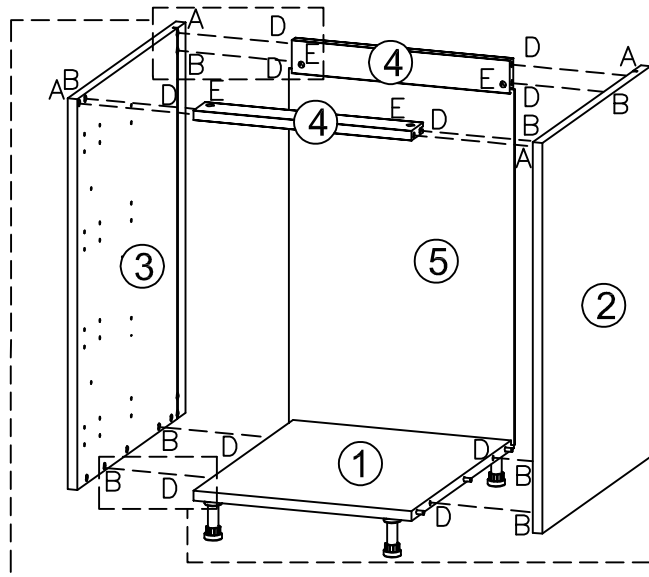
STEP.1 - 01



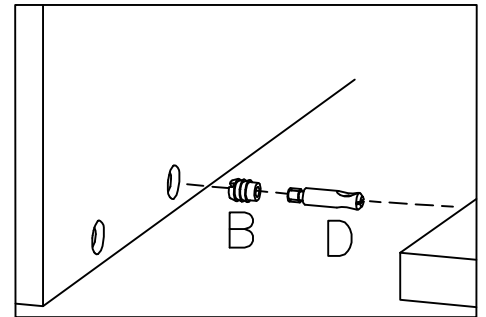
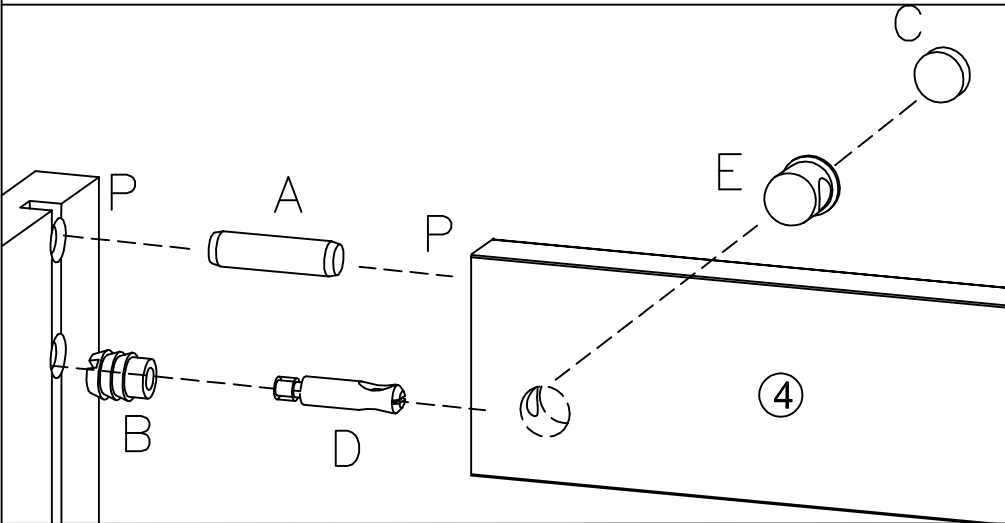
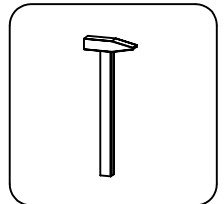
STEP.2- 01



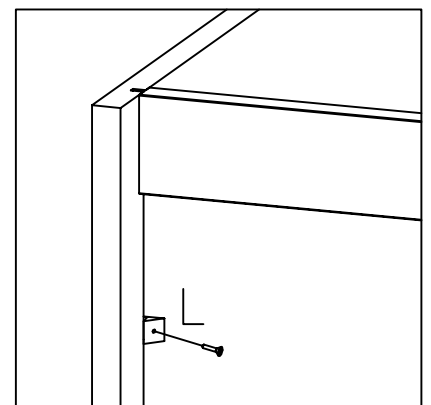
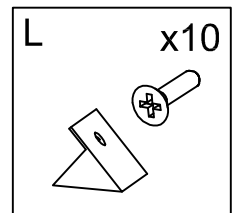
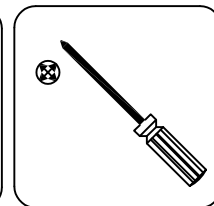
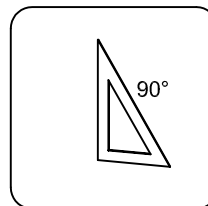
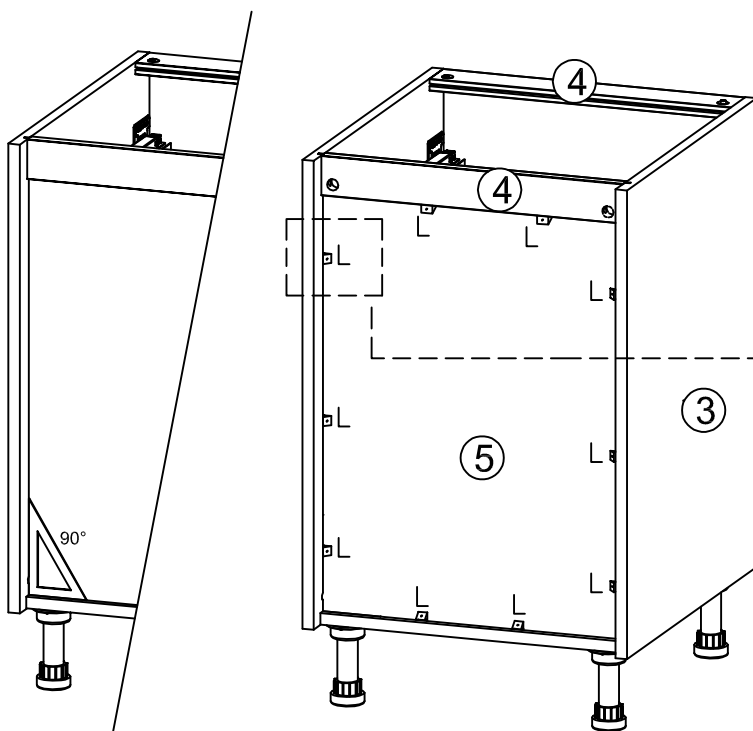
STEP.2- 02



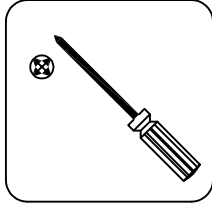
C	x4	A	x4	E	x4
B	x8	D	x6	P	



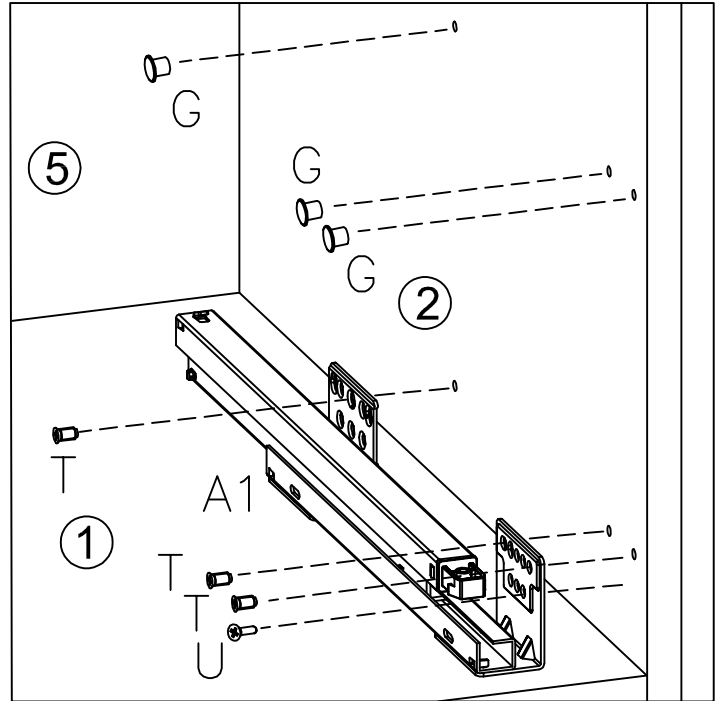
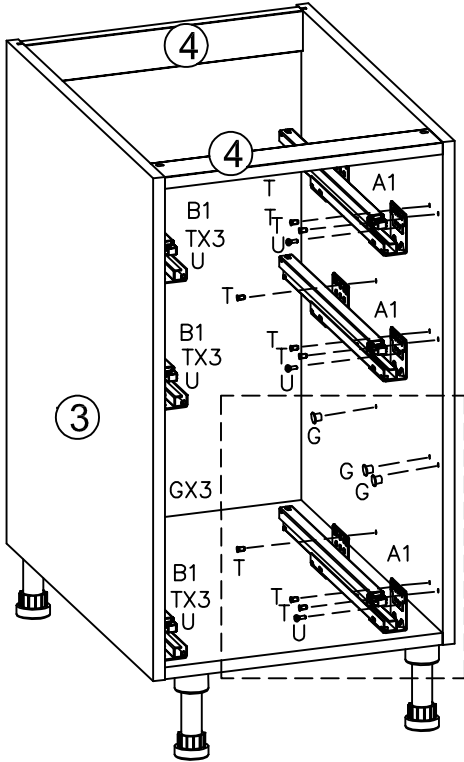
STEP.3- 01



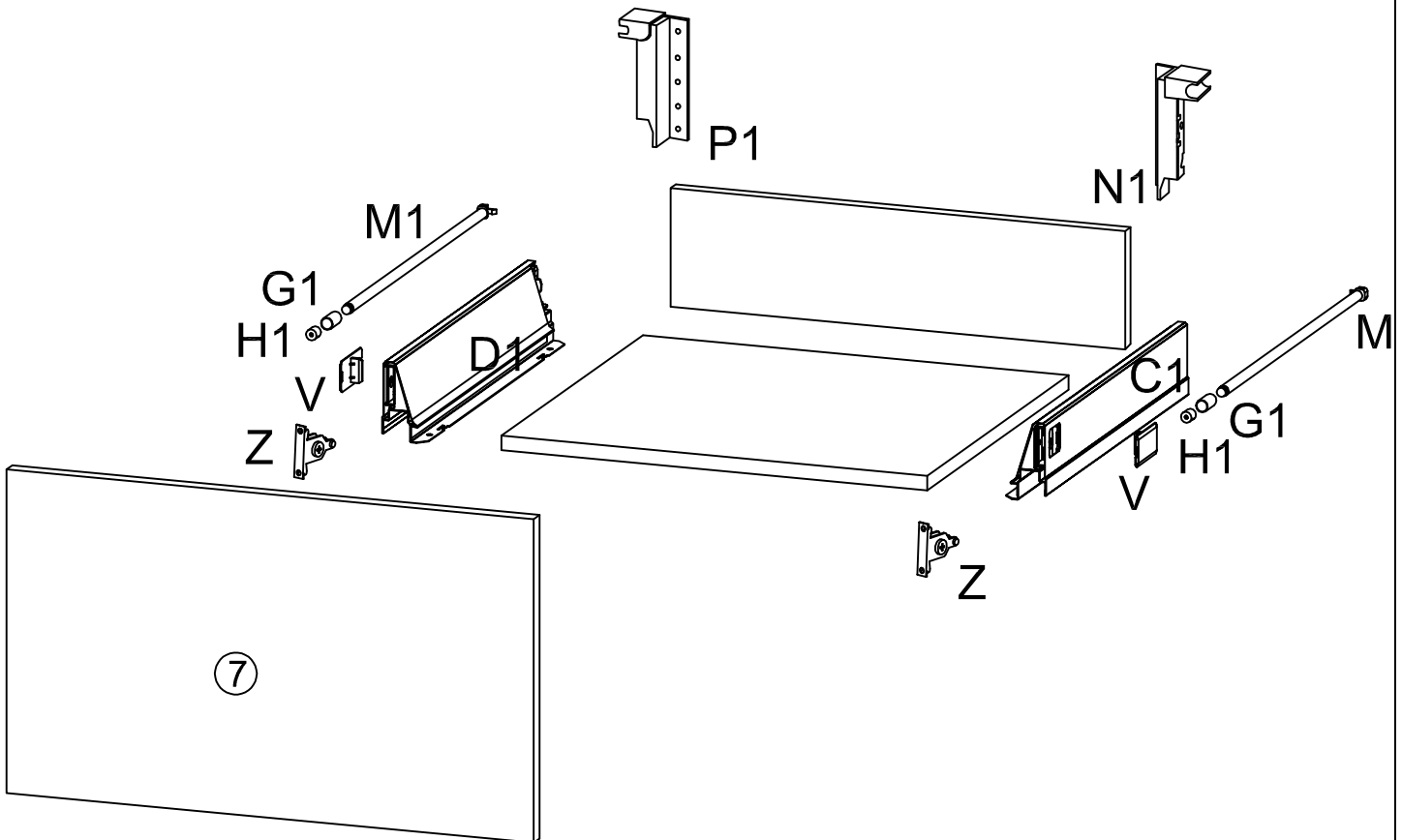
STEP.5- 01



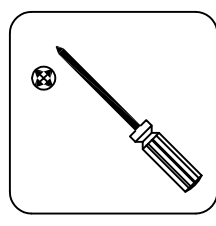
U	x6	G	x6	T	x18	B1	x3	A1	x3
TSP 3.5X12				EURO 6.3X11		SX		DX	



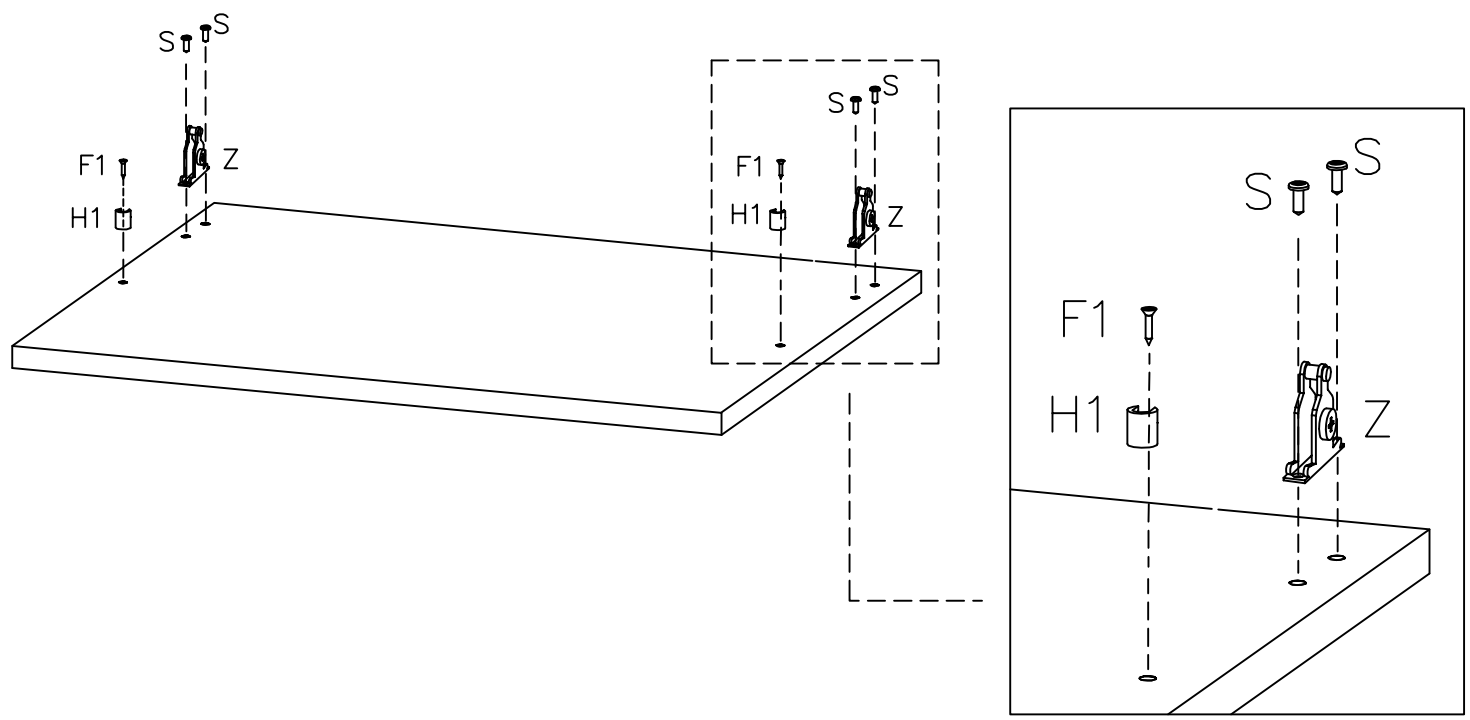
STEP.5- 02



STEP.5- 03

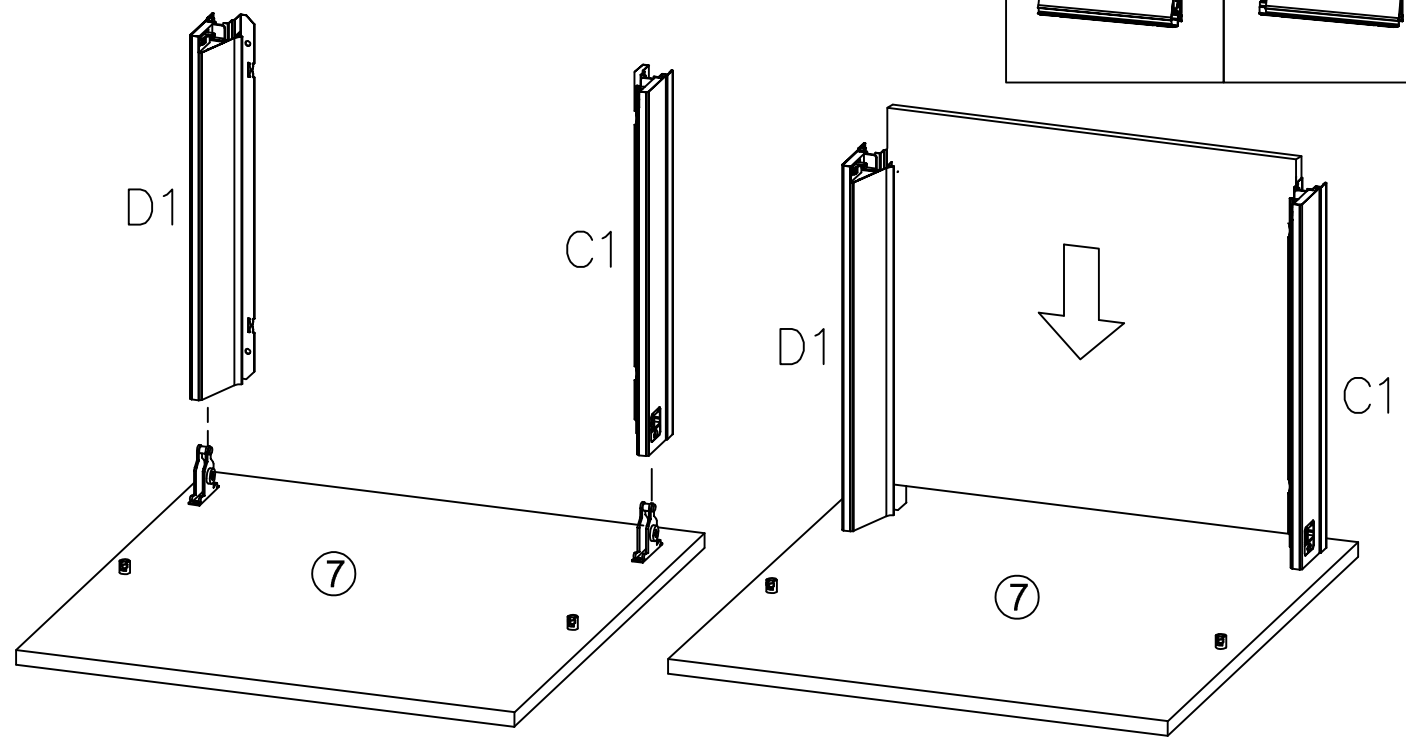


F1	x2	H1	x2	Z	x2	S	x4
TSP 3X15						TCP 3.9X13	

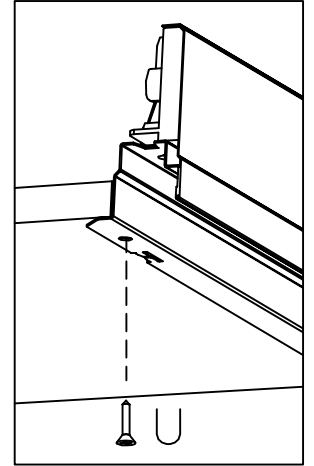
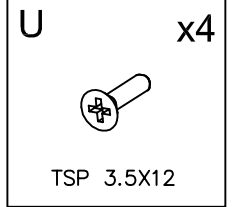
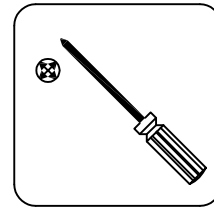
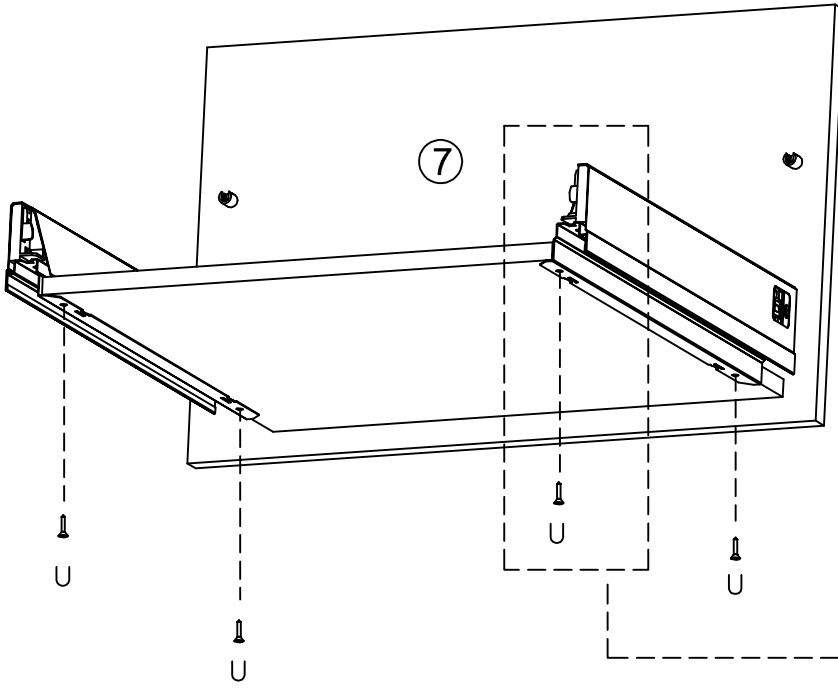


STEP.5- 04

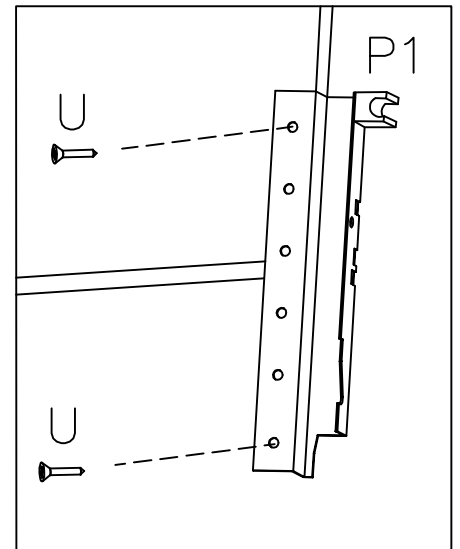
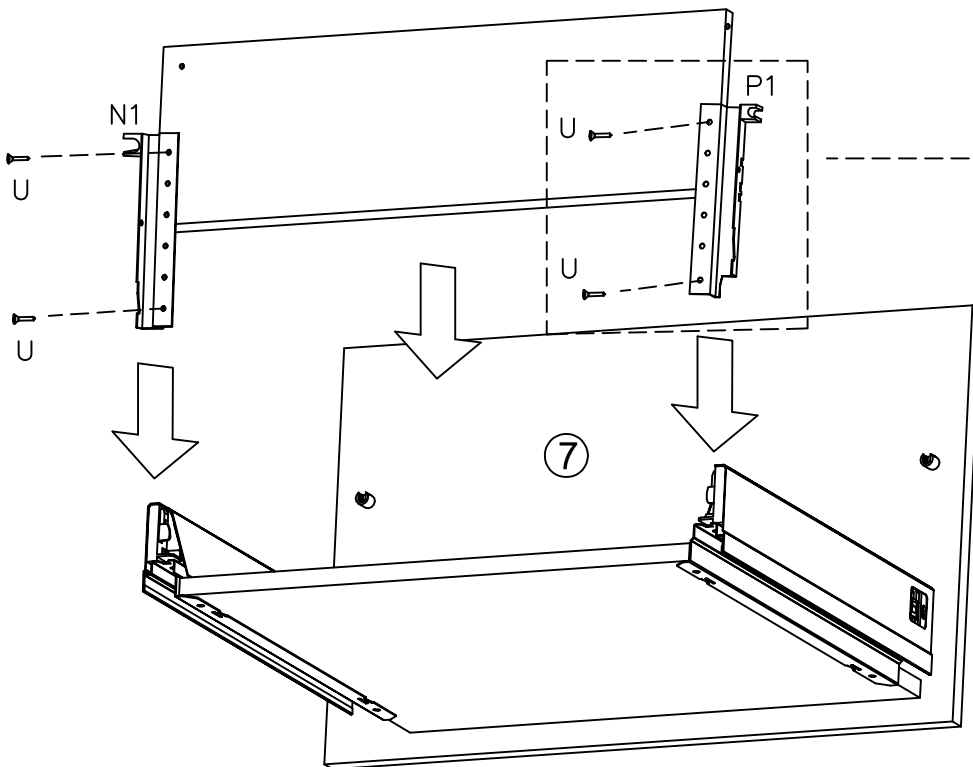
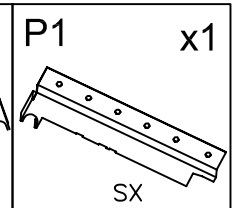
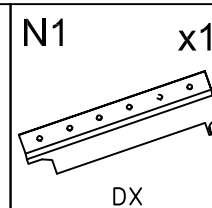
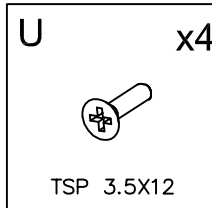
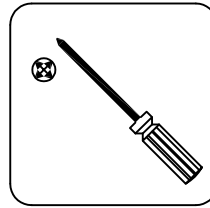
D1	x1	C1	x1



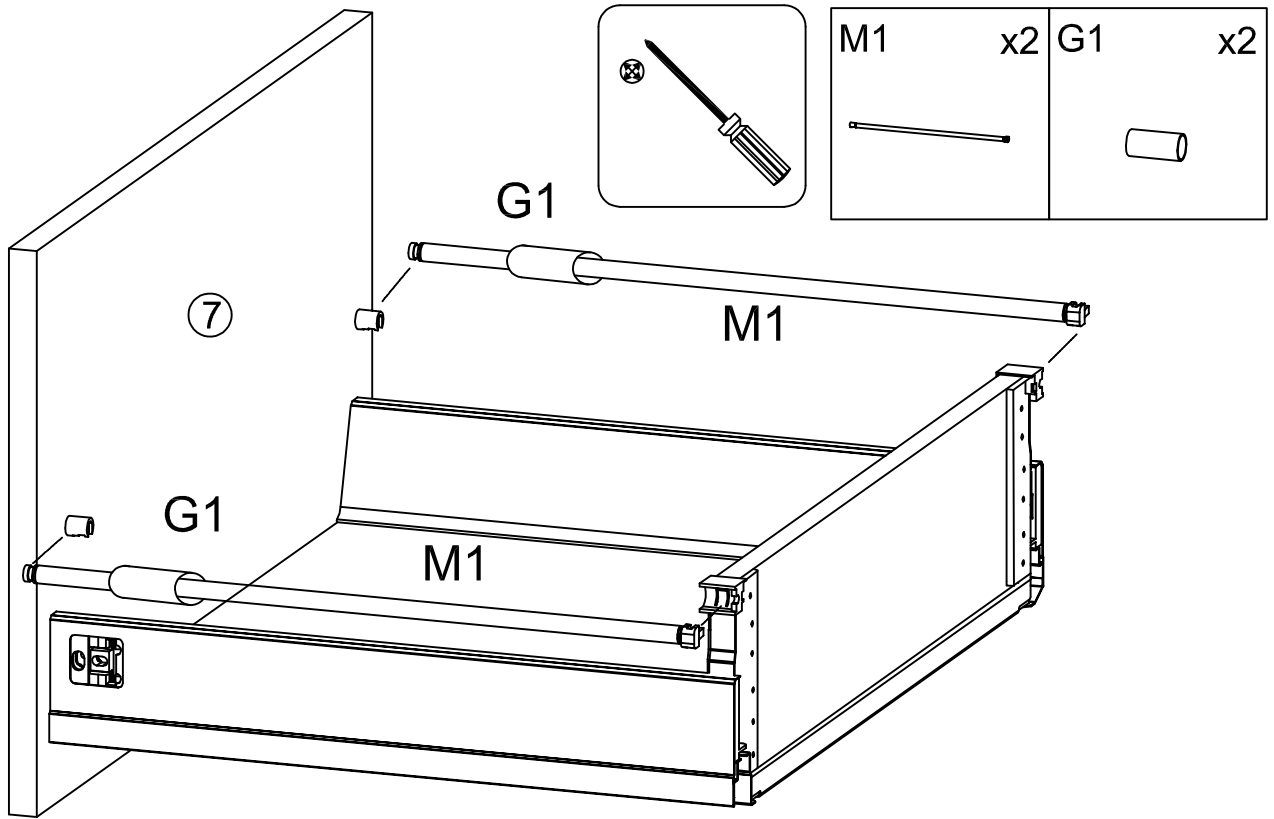
STEP.5- 05



STEP.6- 01

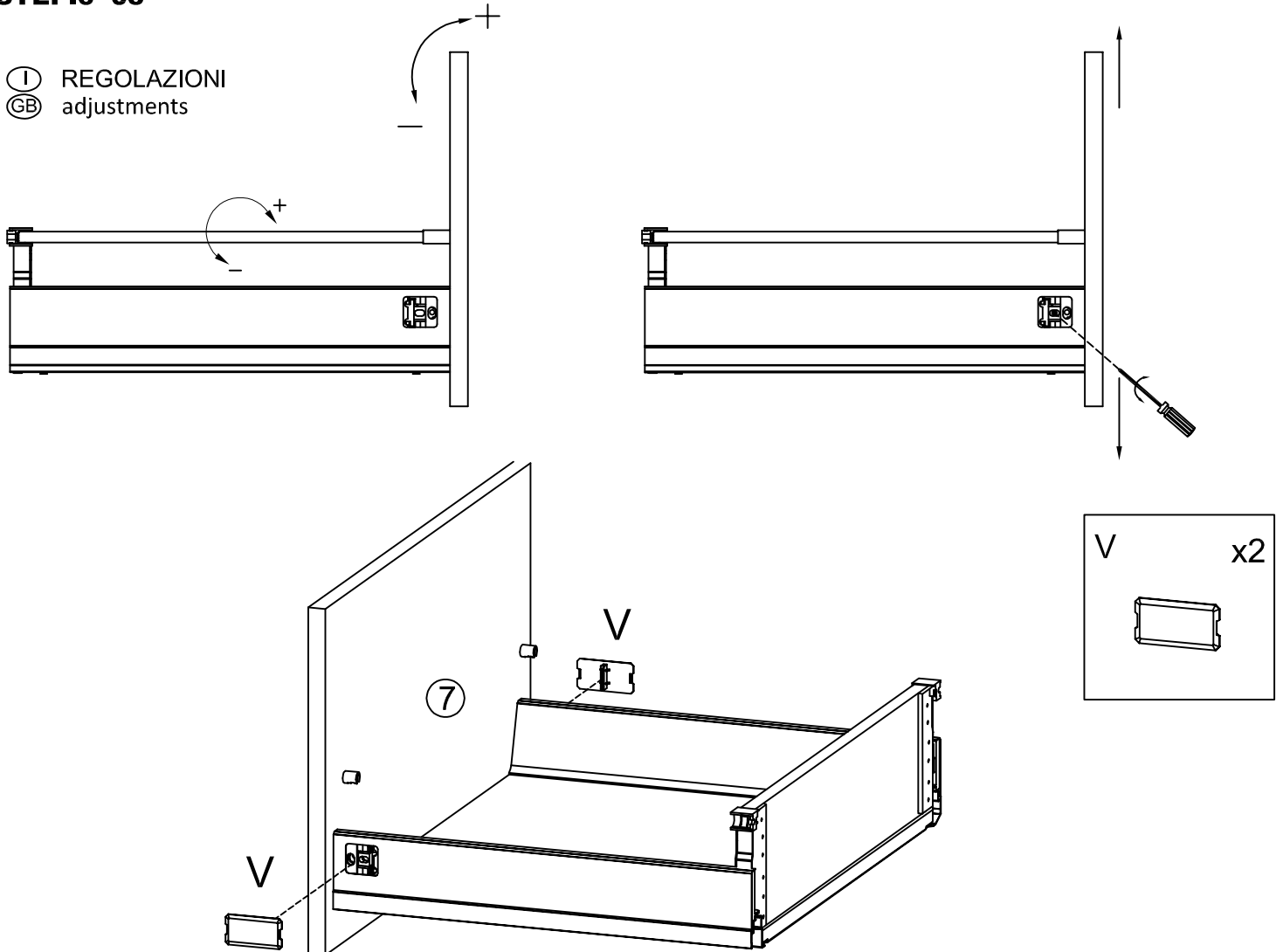


STEP.6- 02

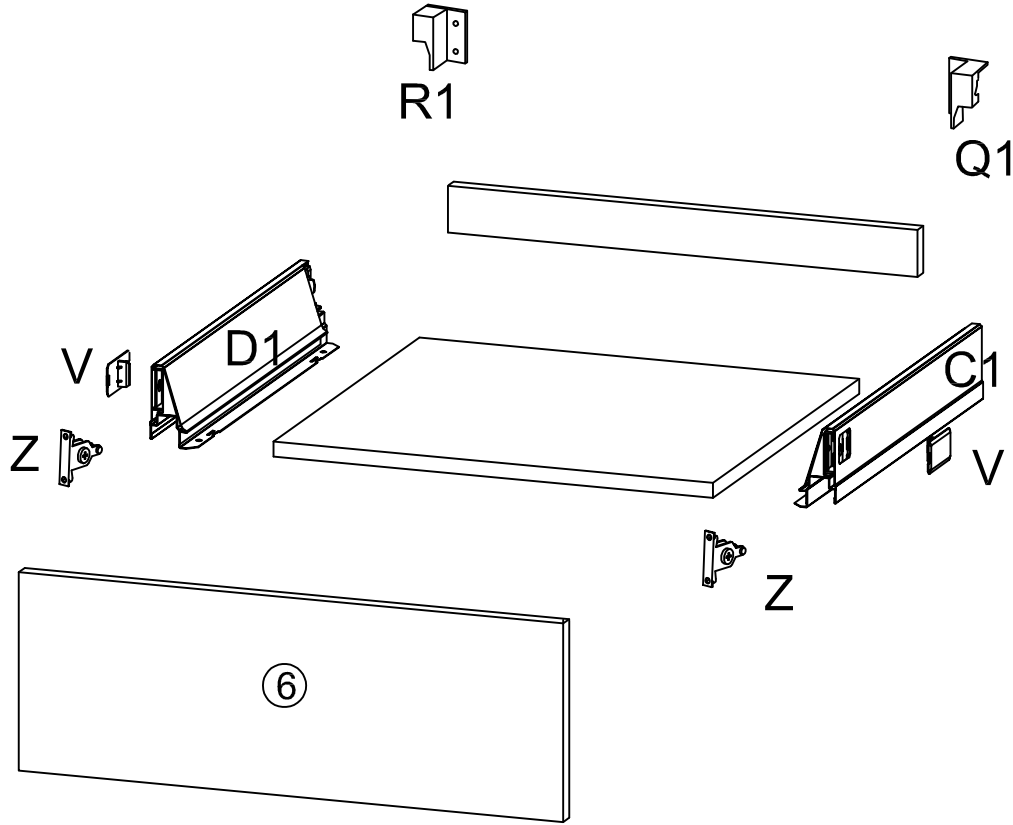


STEP.6- 03

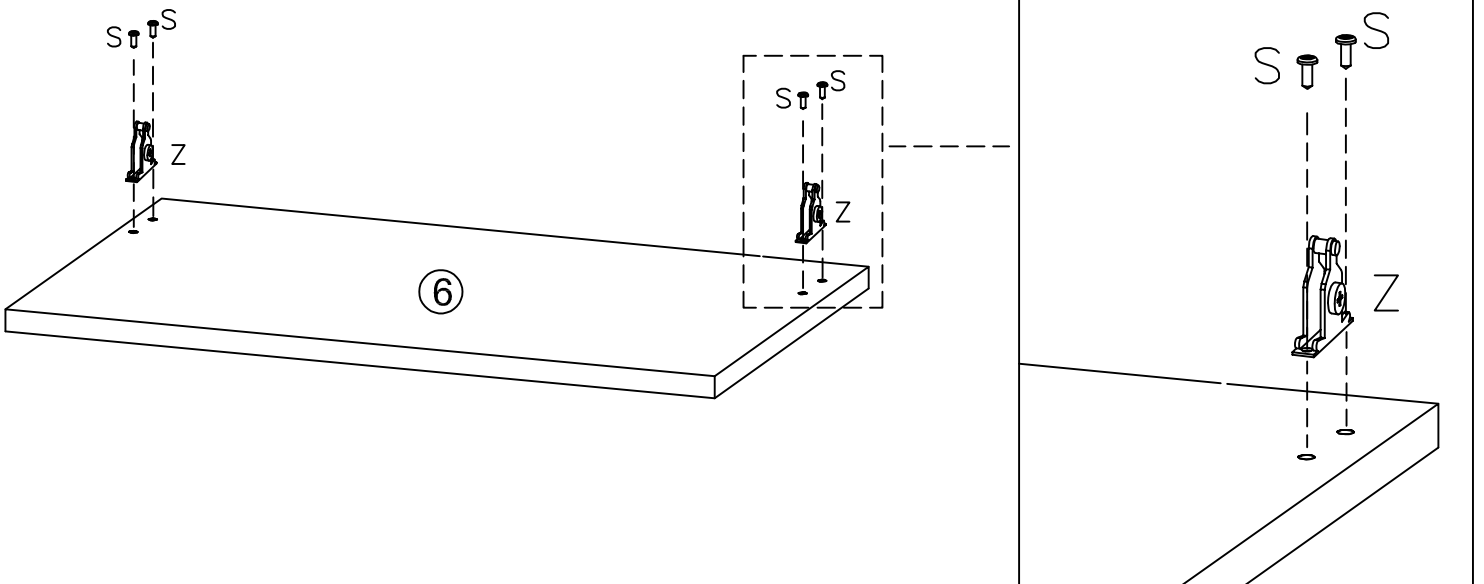
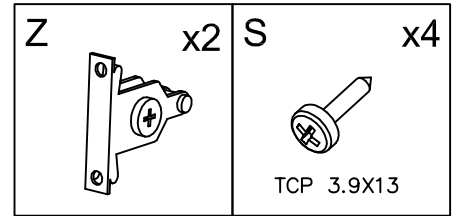
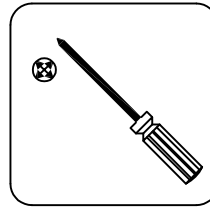
① REGOLAZIONI
② adjustments



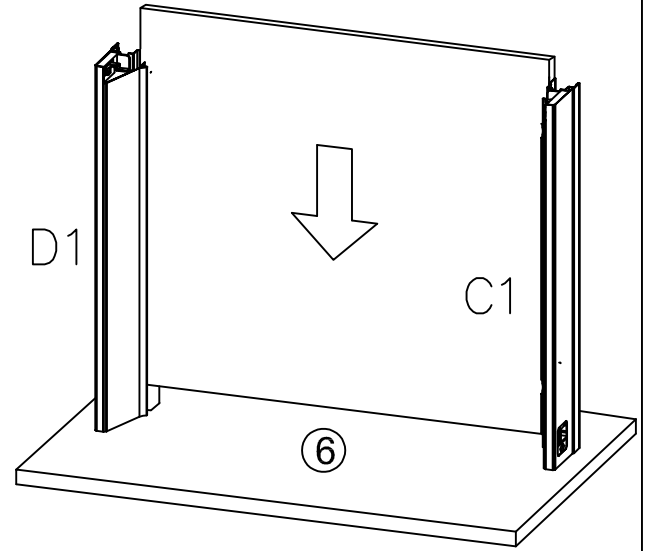
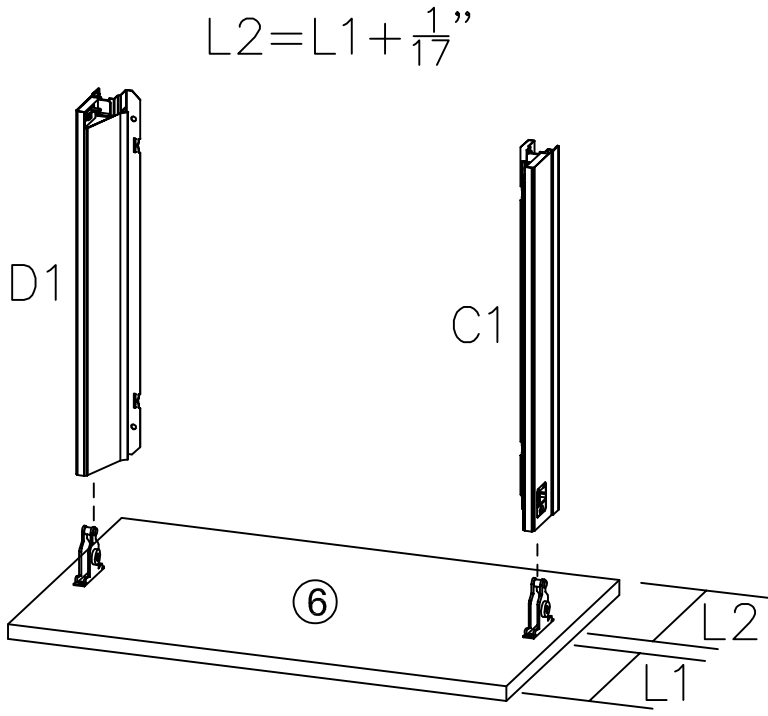
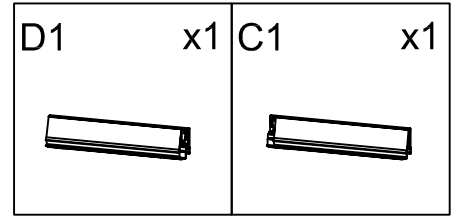
STEP.5- 01 X2



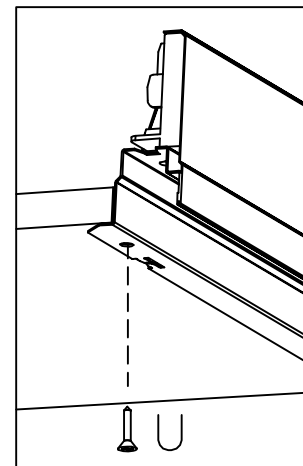
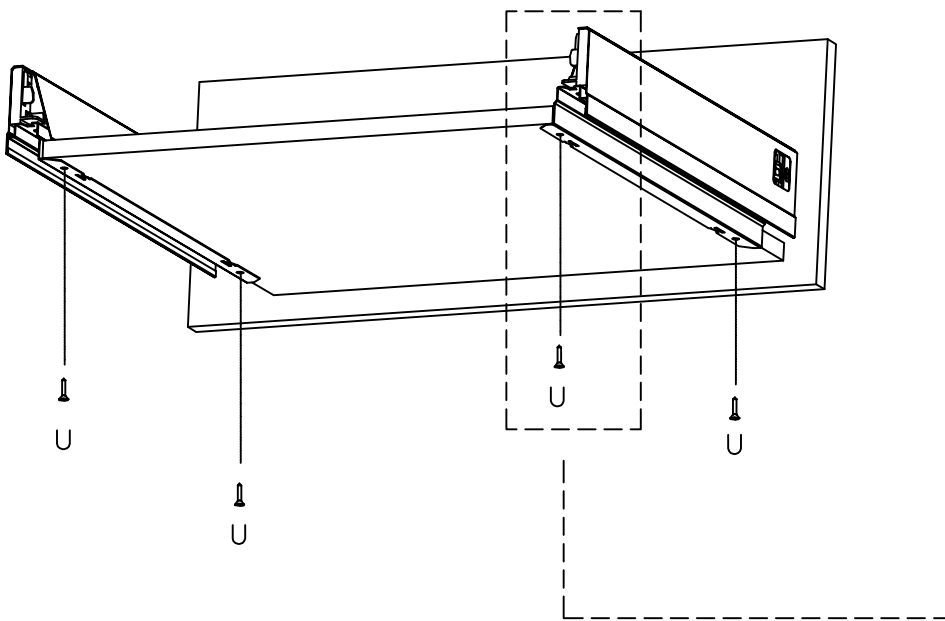
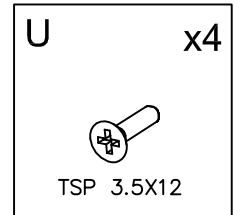
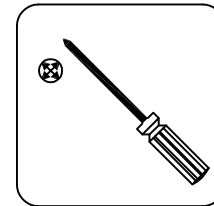
STEP.5- 02 X2



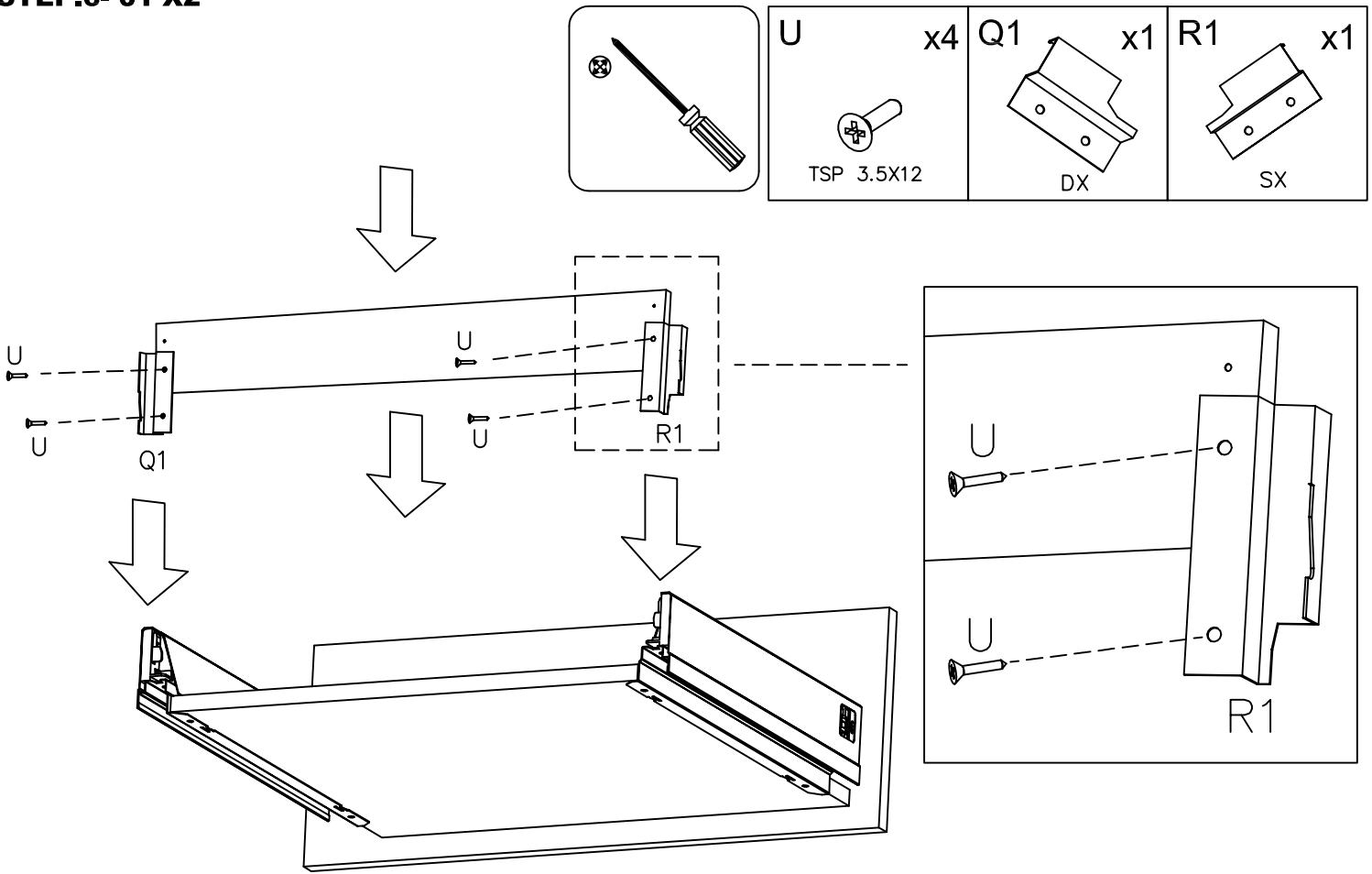
STEP.5- 03 X2



STEP.5- 04 X2

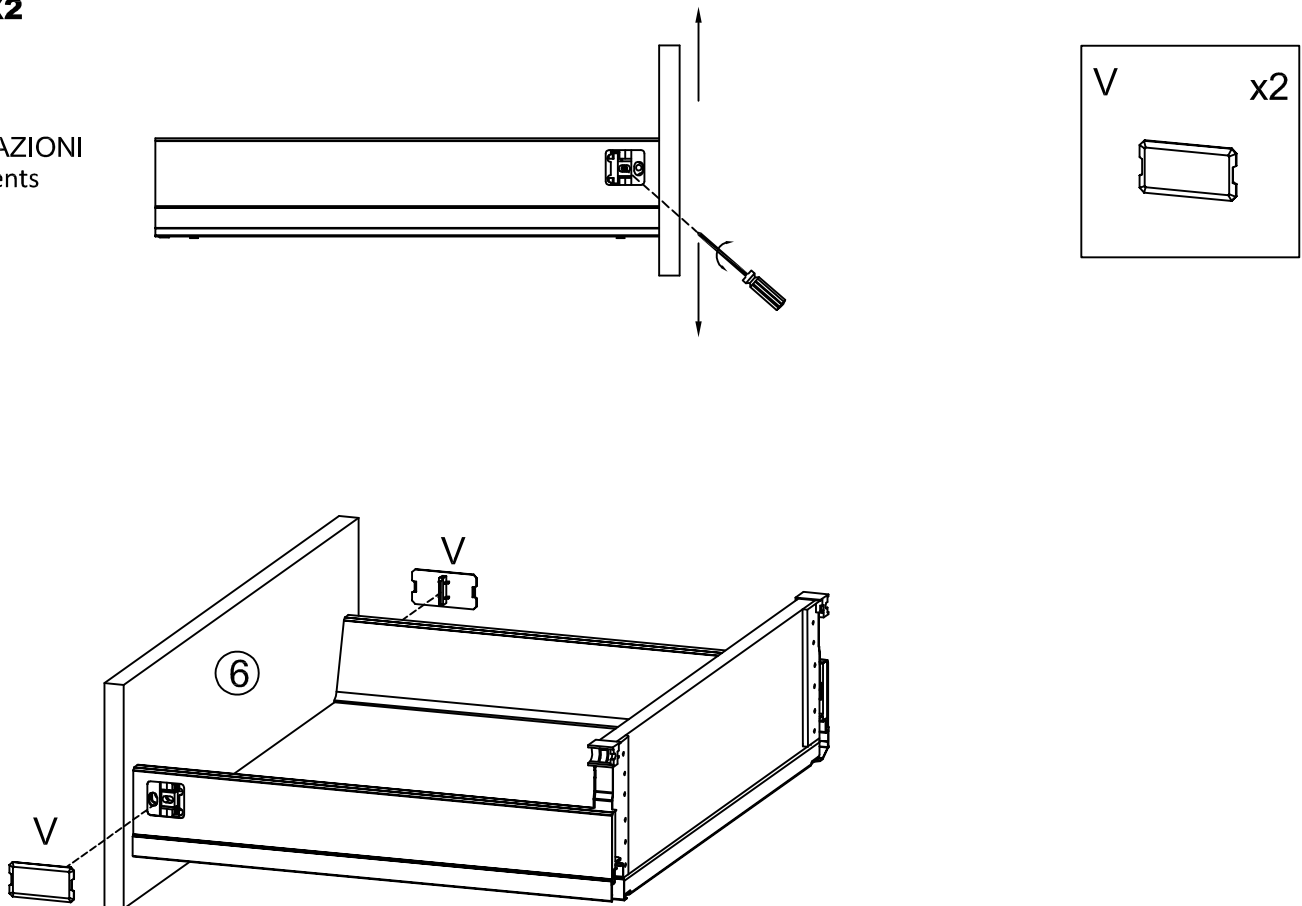


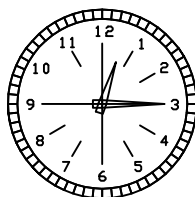
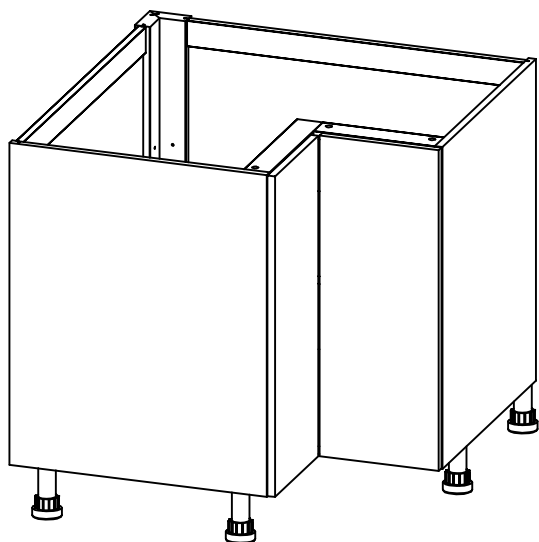
STEP.6- 01 X2



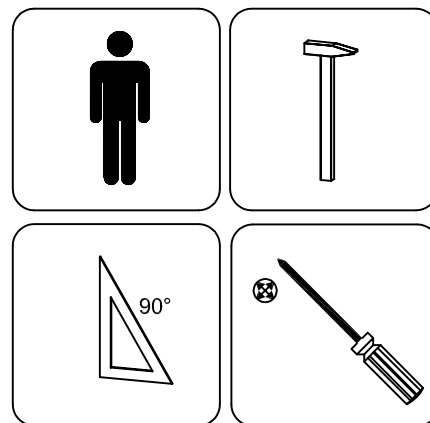
STEP.6- 02 X2

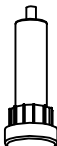

I REGOLAZIONI
 GB adjustments

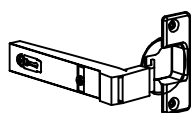
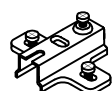

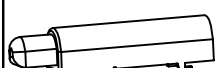




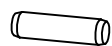

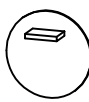
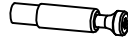

20'




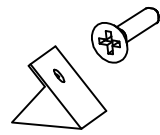


STEP.1_F712000001 X2			
8060000411	8060000412		
Q	x8	R	x8
			

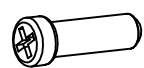
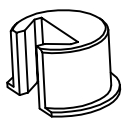


STEP.6_HDI0000007A			
8040001375	8040001376	8040001376	8040001376
V	x2	Z	x2
			
A1	x2	B1	x2
			


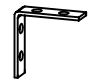
FN00000010K

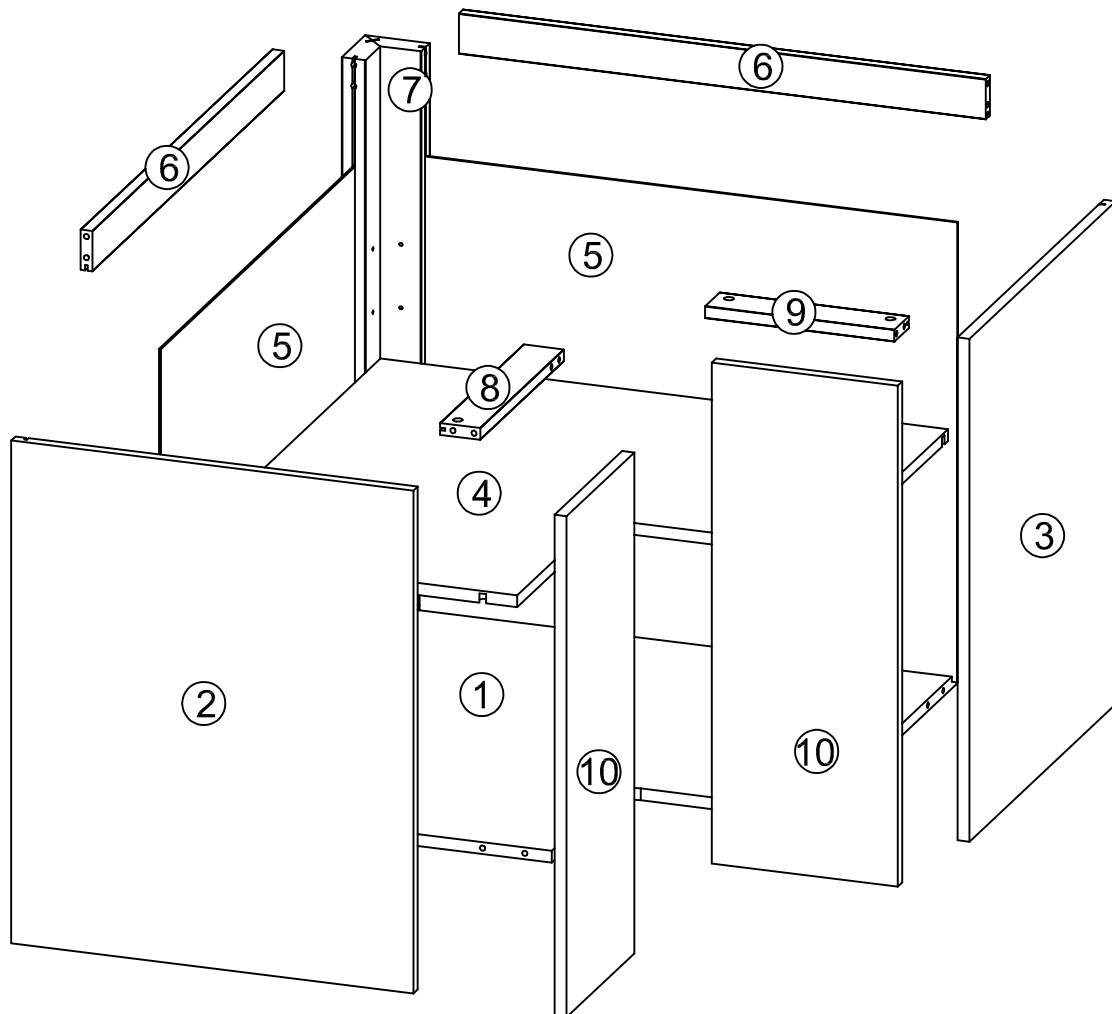
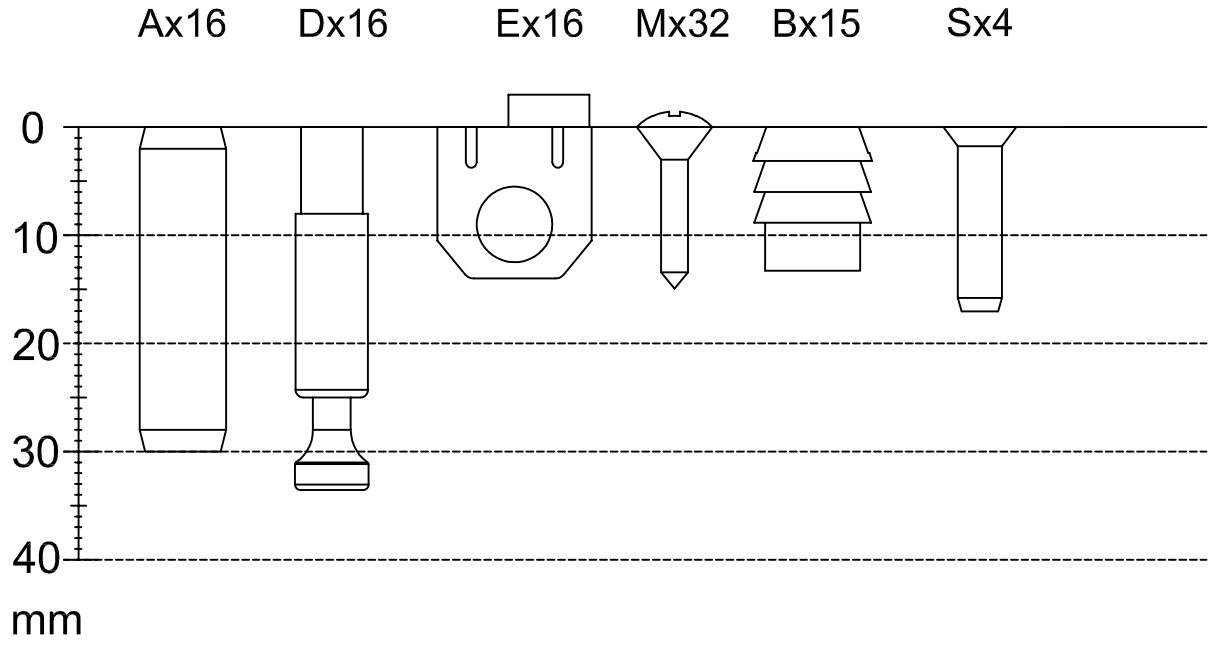
STEP.2_FN00000010A				
8140000013	8060000880	8060000439	8040001145	8040001144
A	x16	B	x15	C
				
D	x16	E	x16	
				

8230300014
P
x1


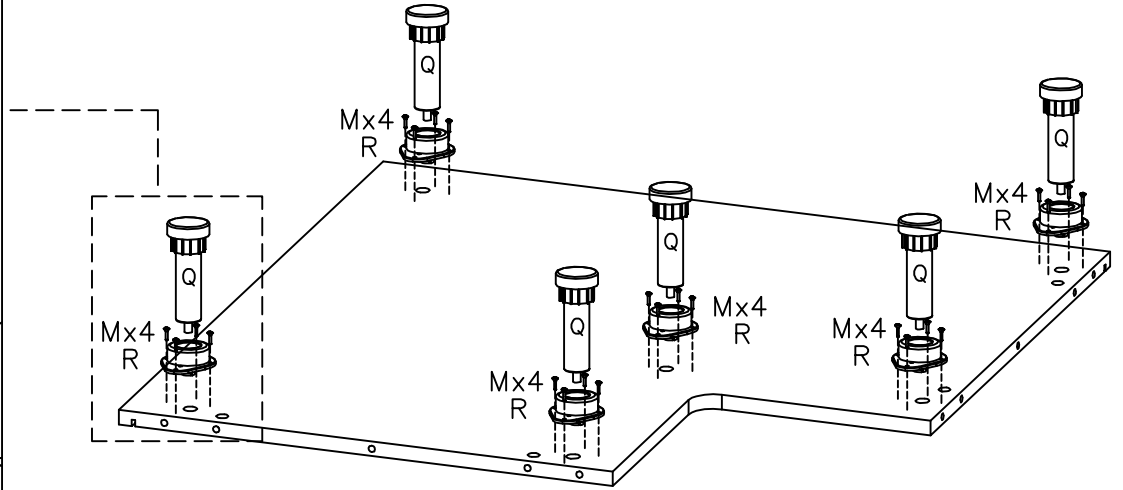
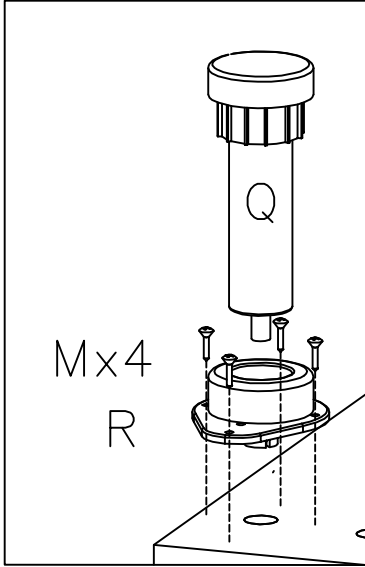
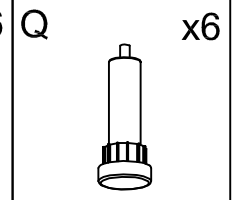
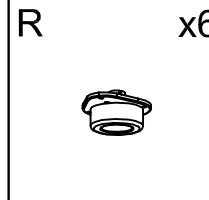
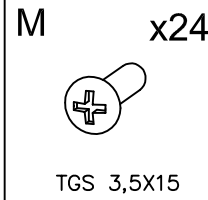
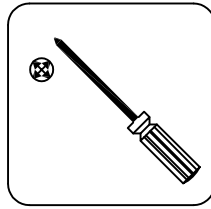
STEP.3_FN00000010B		
8040000762	8060000156	
L	x20	H
		
G	x8	
		

STEP.4_FN00000010C			
8040000392	8040002001	8040002002	8060000826
S	x4	T	x4
			
EURO 6,3X17		U	x4
			
		A1	x2
			

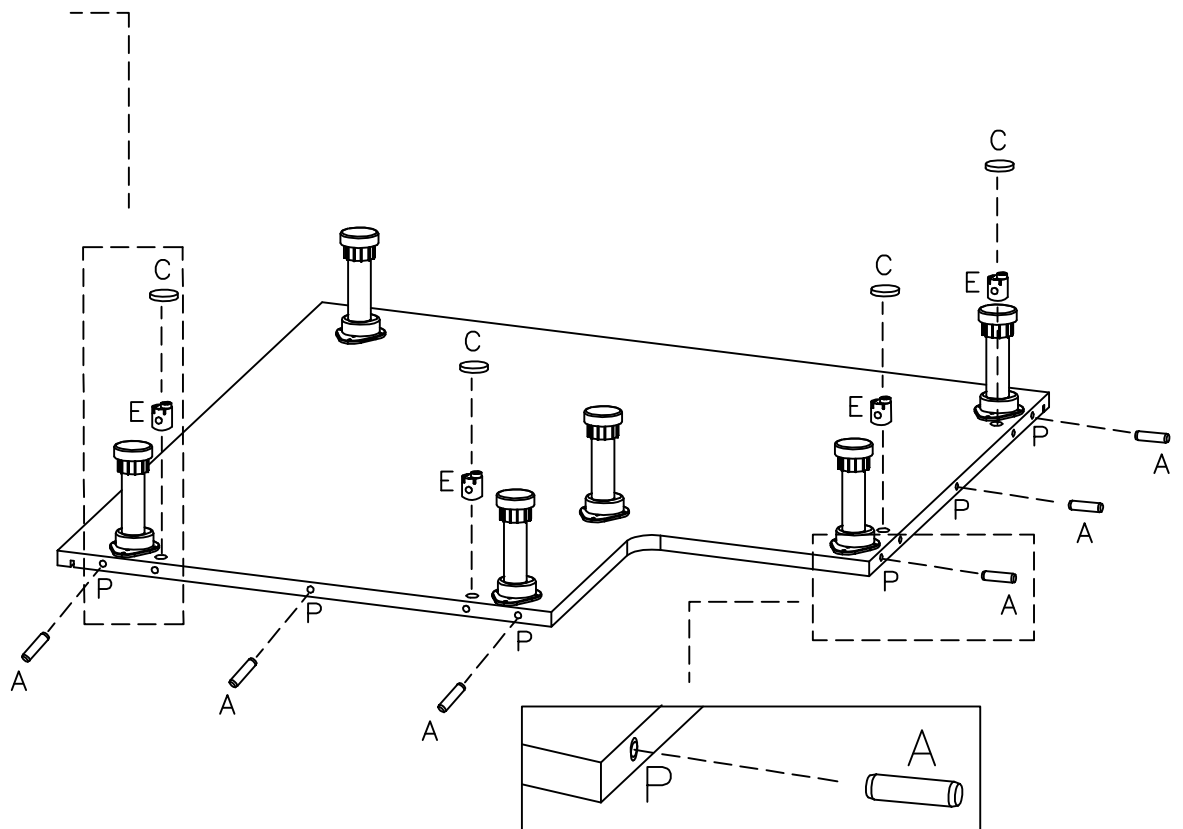
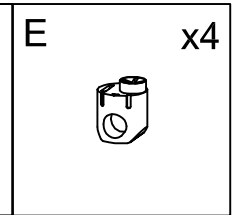
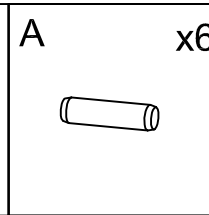
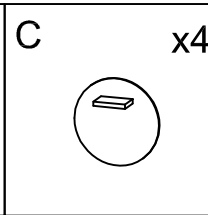
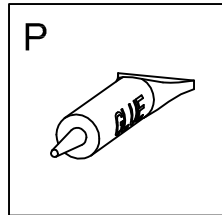
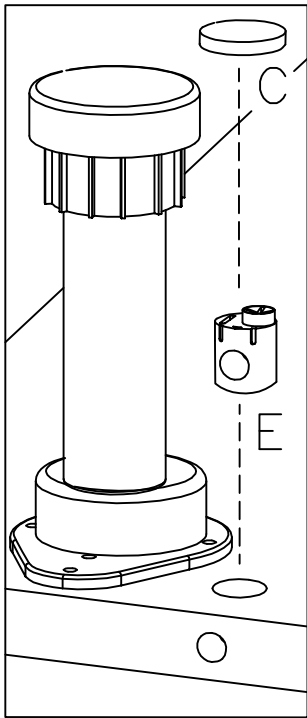
STEP.5_FN00000010D	
8060000005	8060000010
M	x32
	
TGS 3,5X15	
N	x2
	



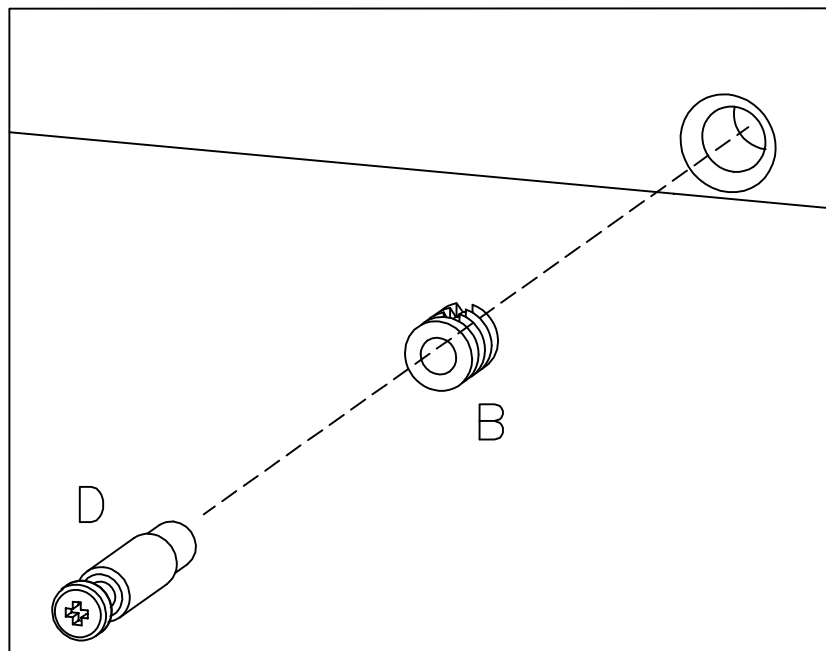
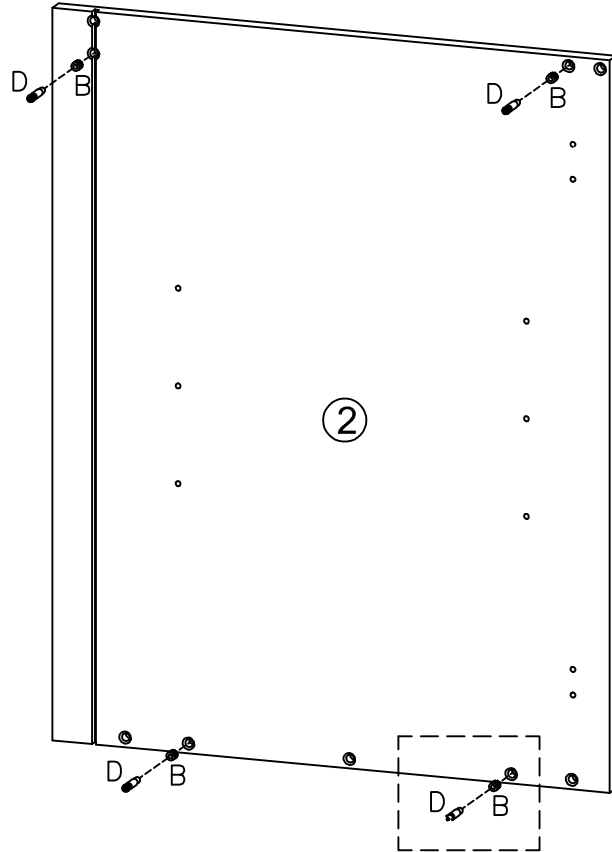
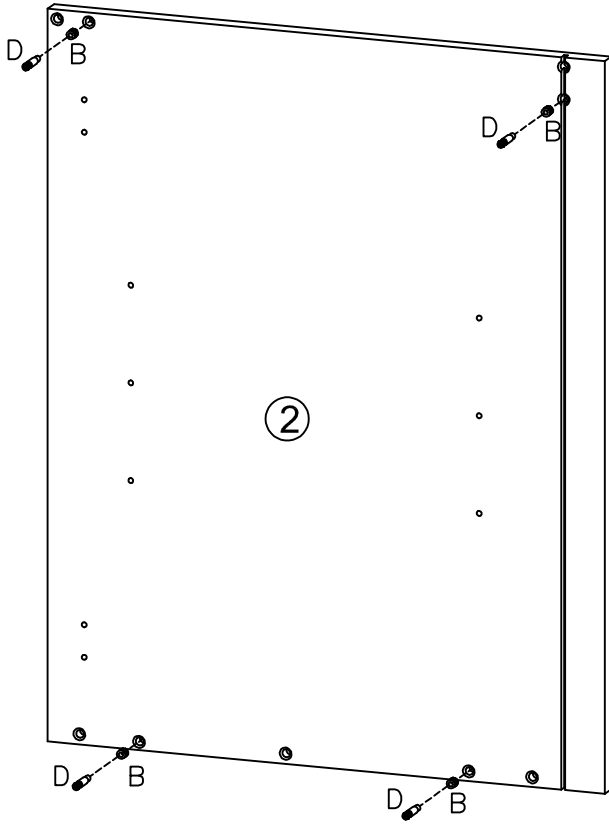
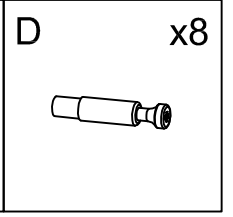
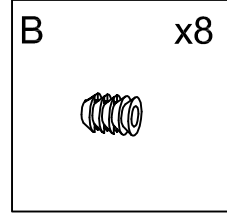
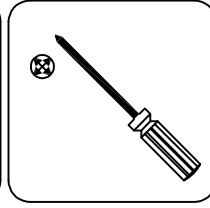
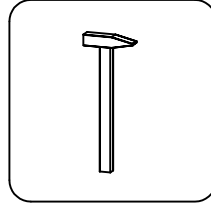
STEP.1- 01



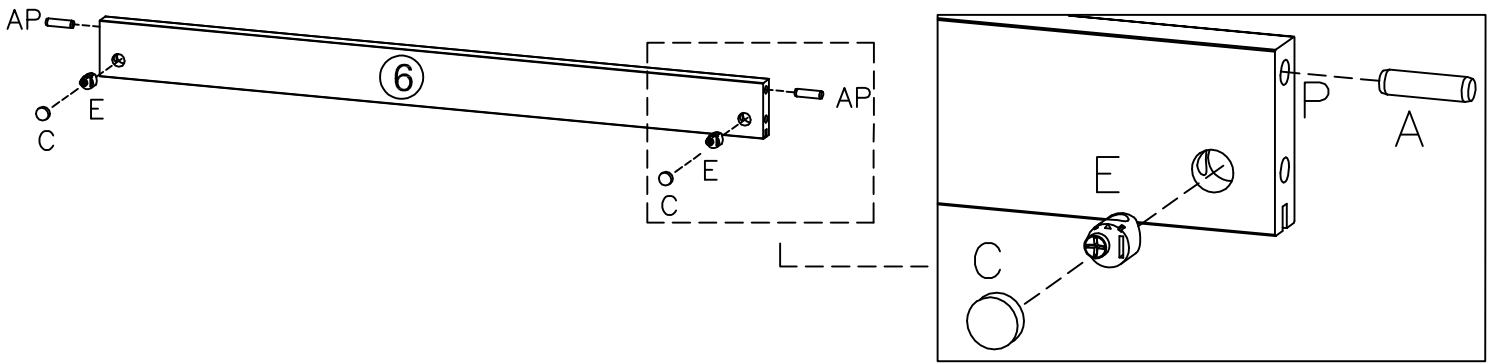
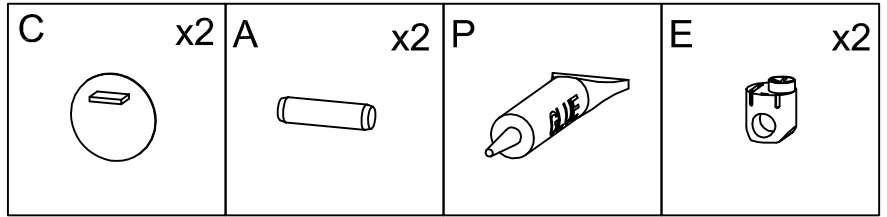
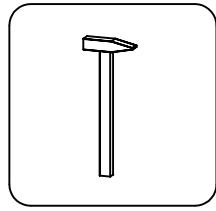
STEP.2- 01



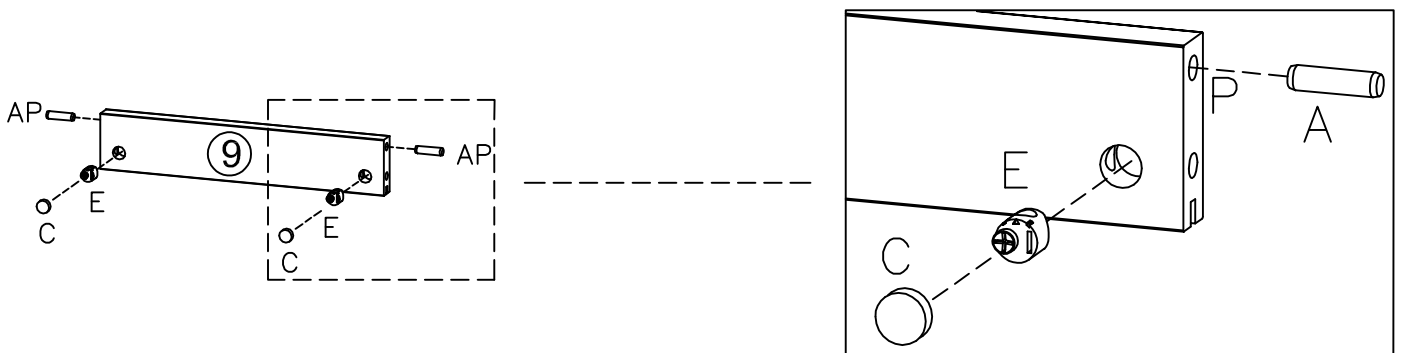
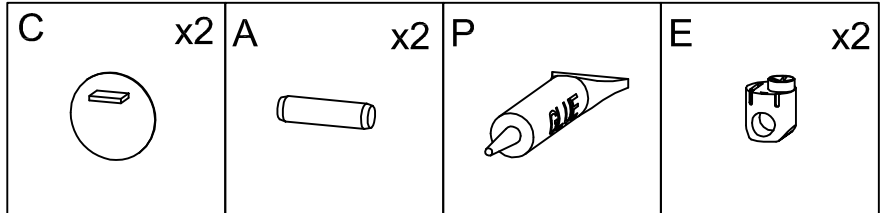
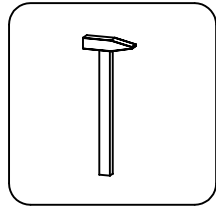
STEP.2- 02



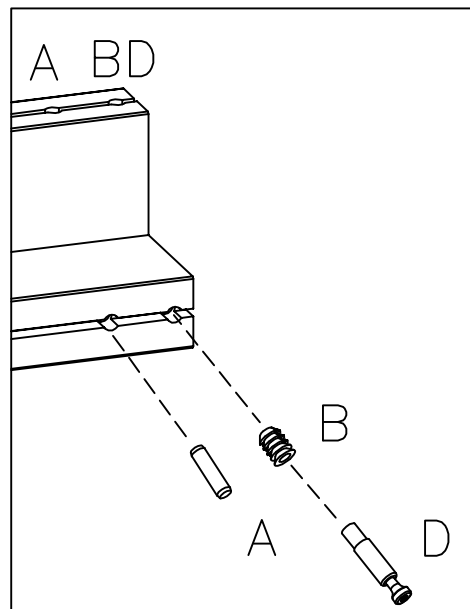
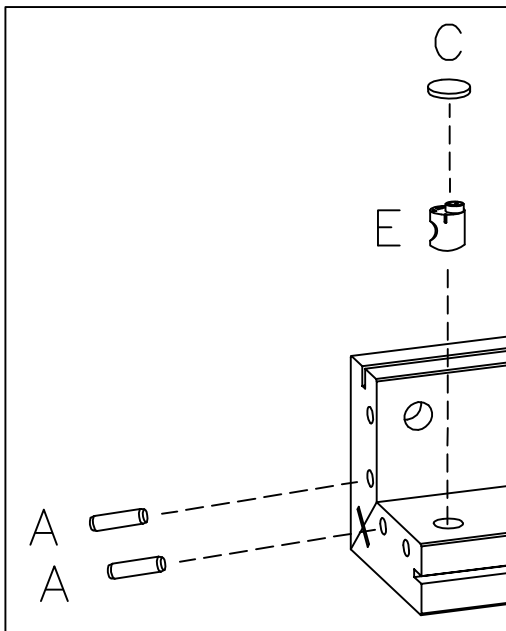
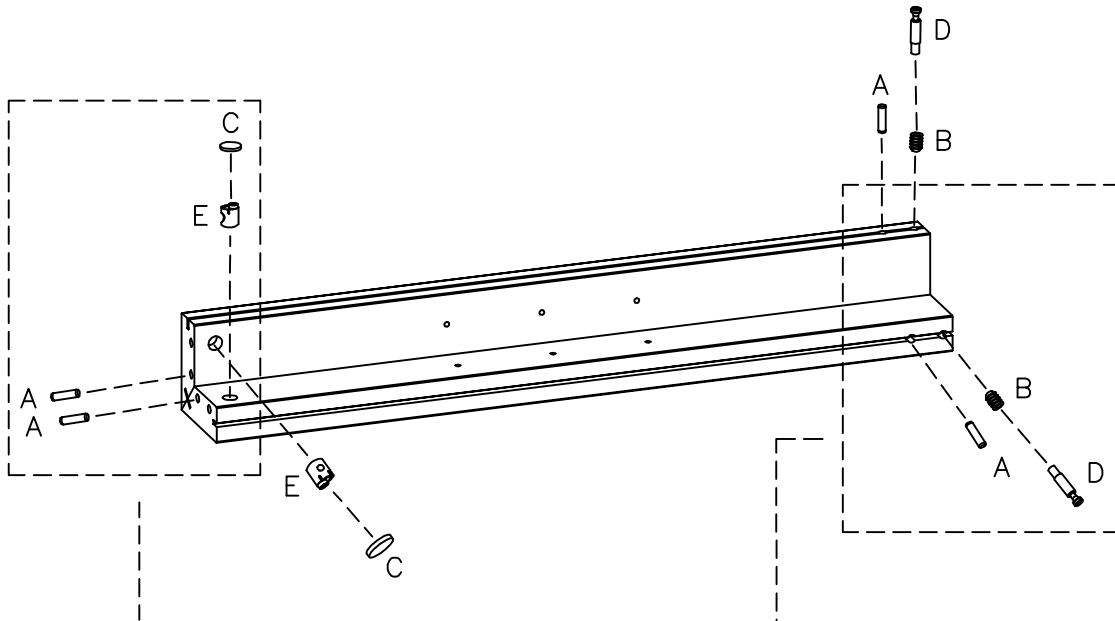
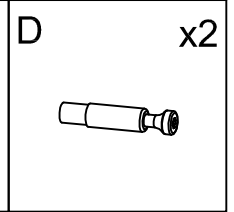
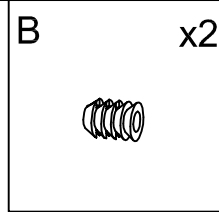
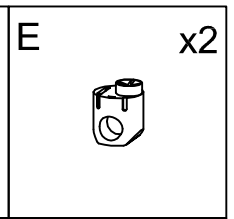
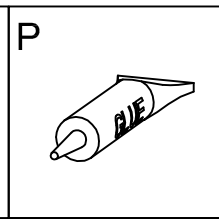
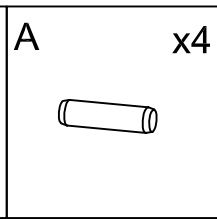
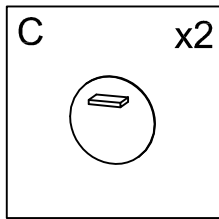
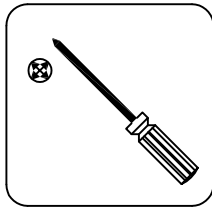
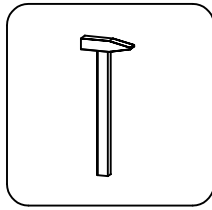
STEP.2- 03 X2



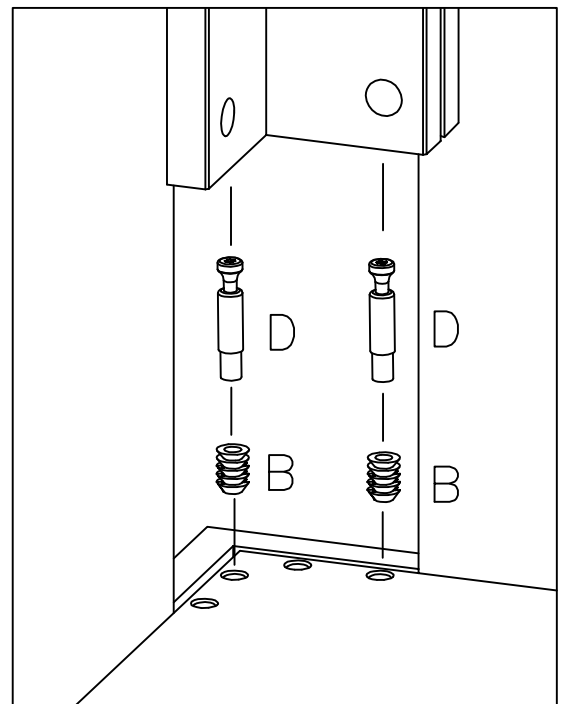
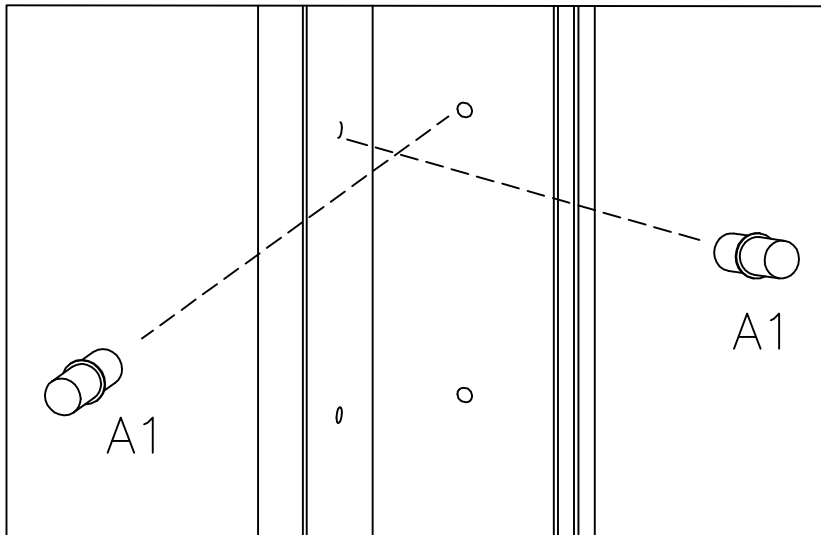
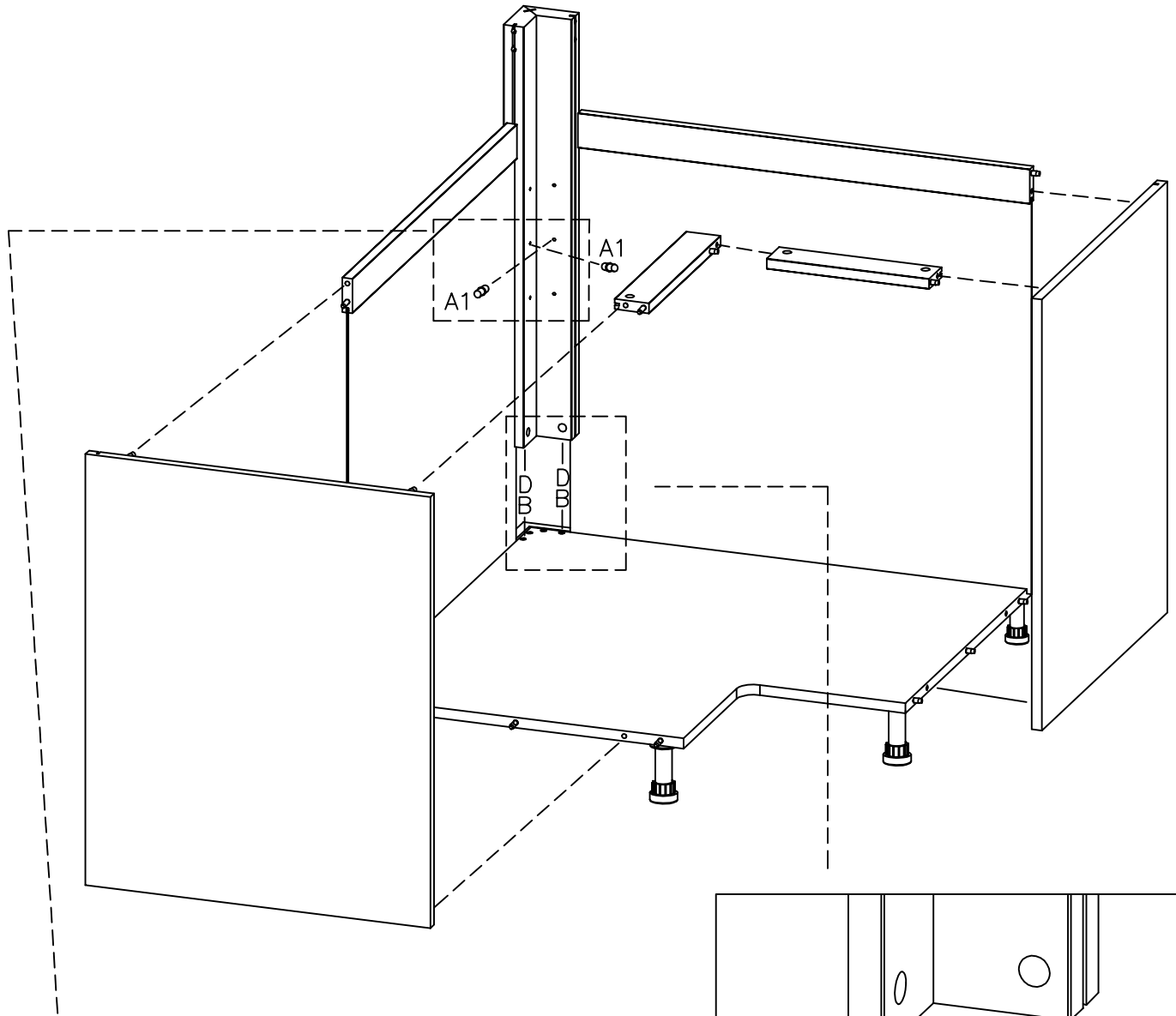
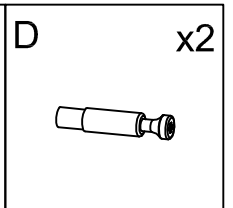
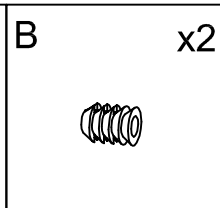
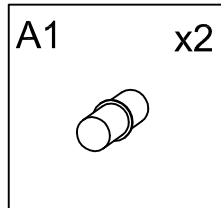
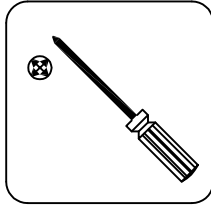
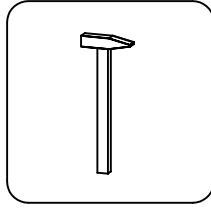
STEP.2- 04



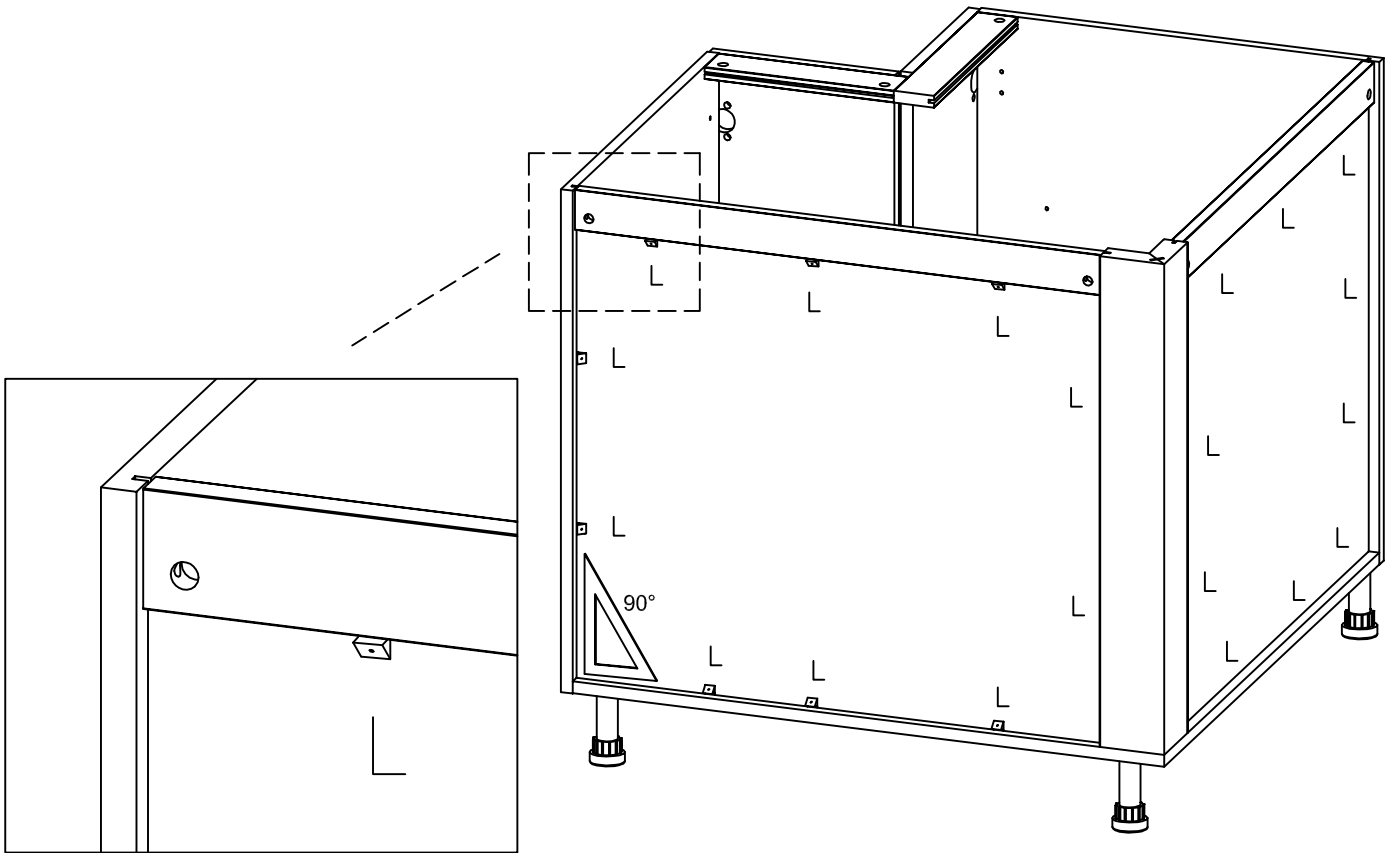
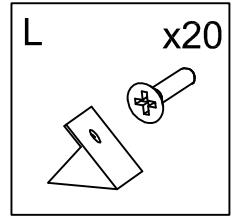
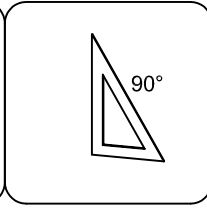
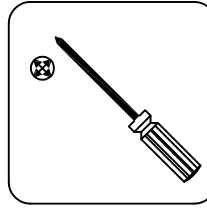
STEP.2- 06



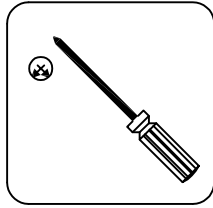
STEP.2- 07



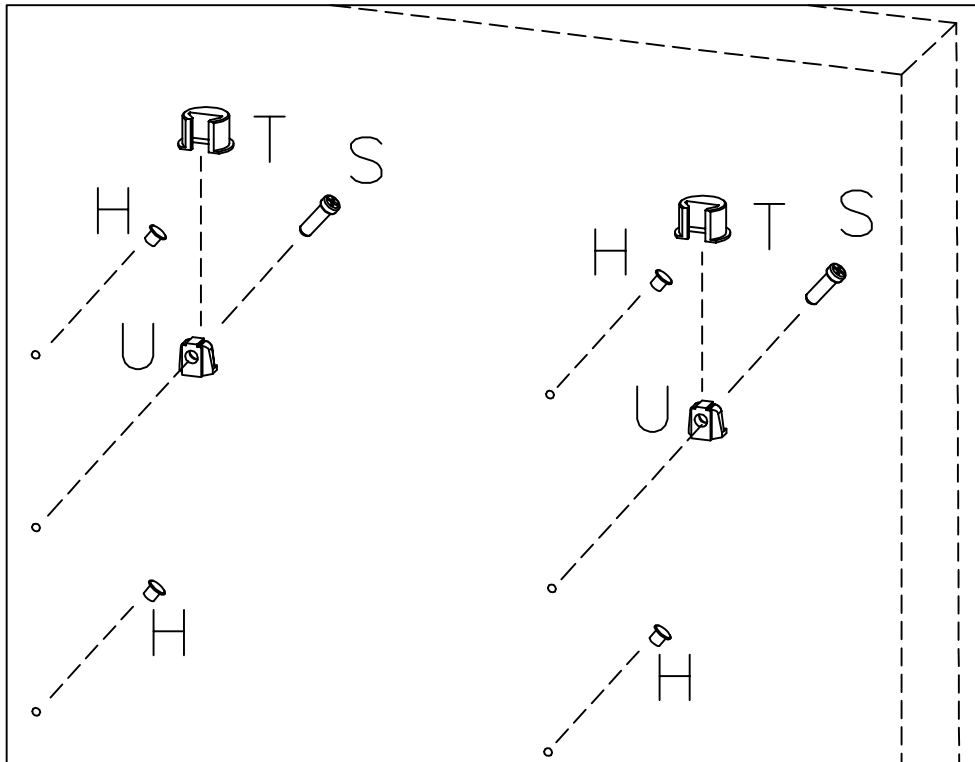
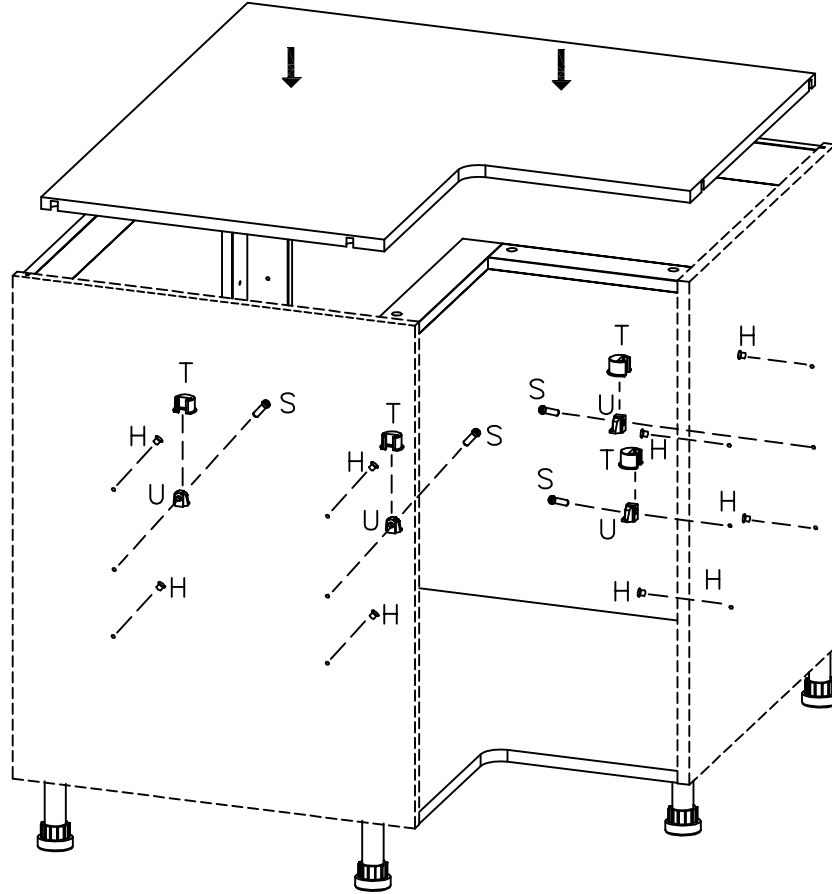
STEP.3- 01



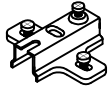


STEP.4- 01

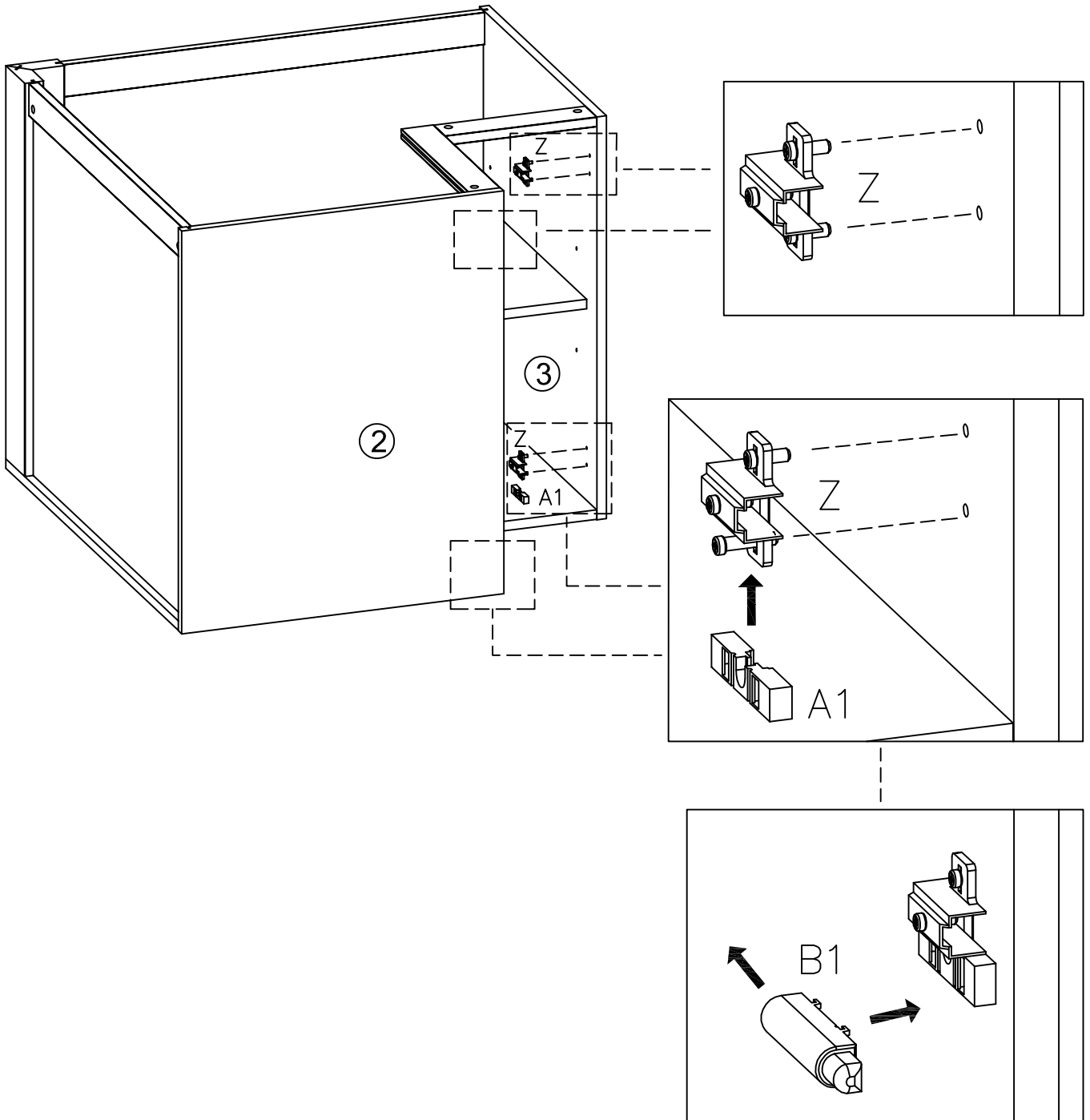


S	x4	T	x4	U	x4	H	x12
EURO 6,3X17							

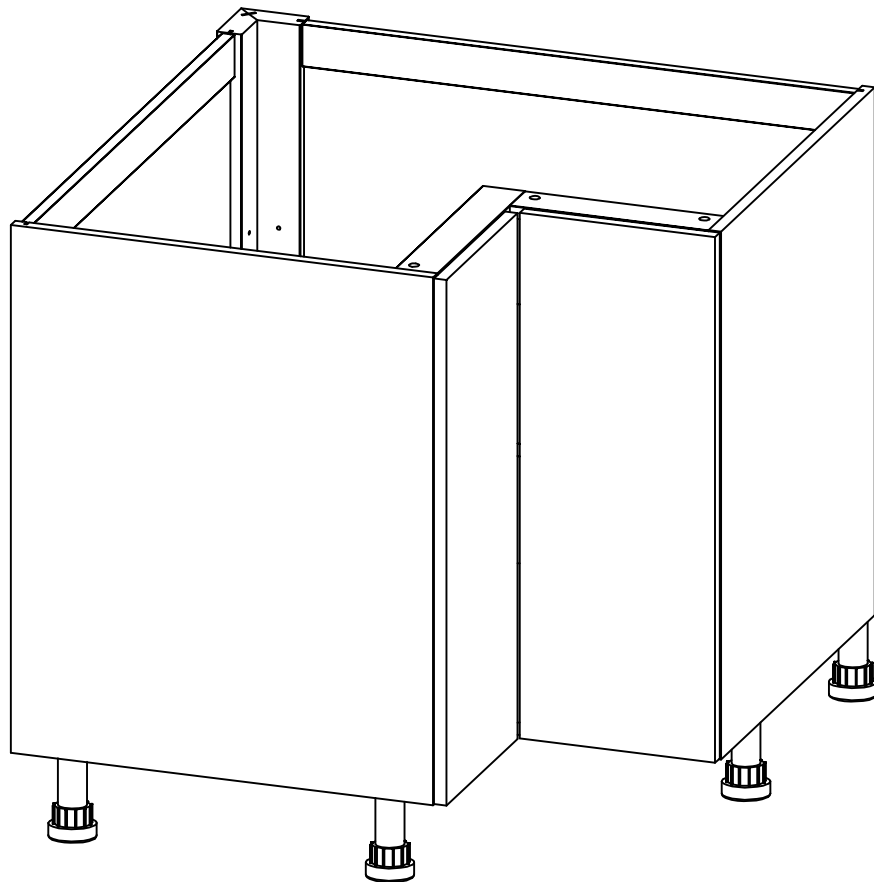
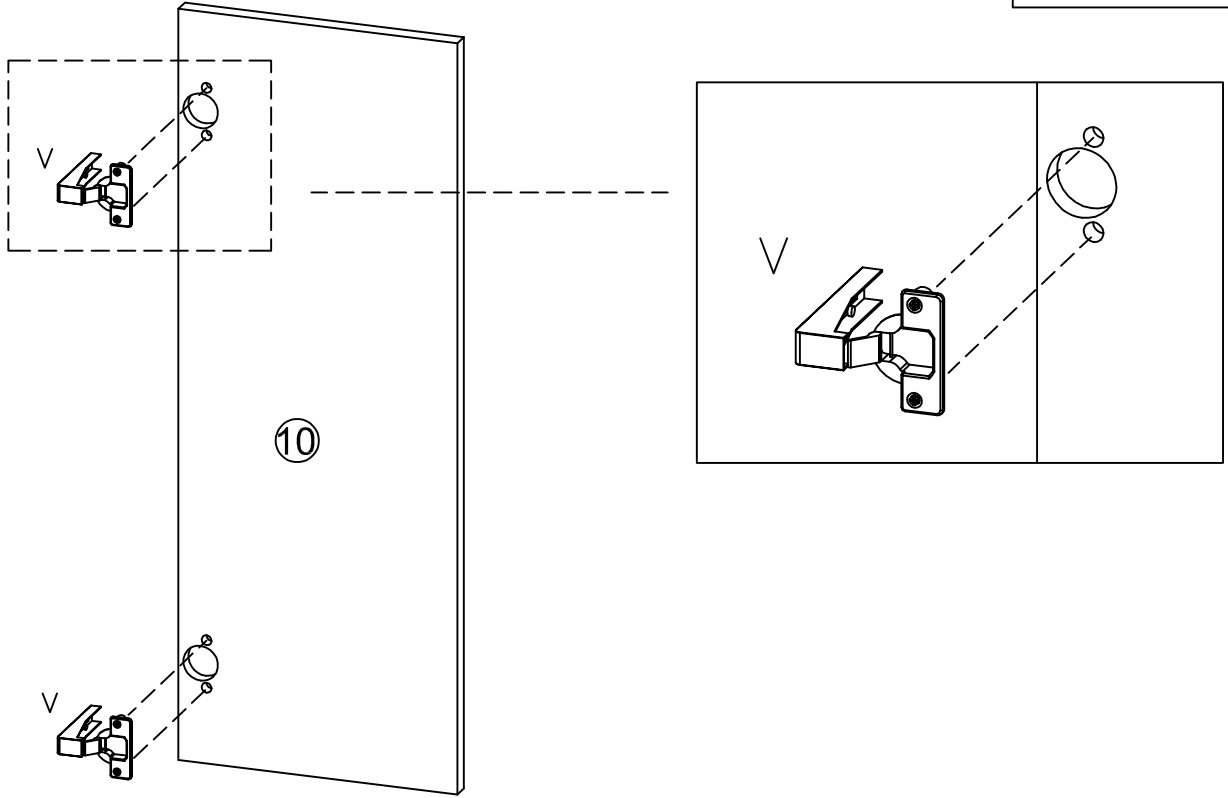
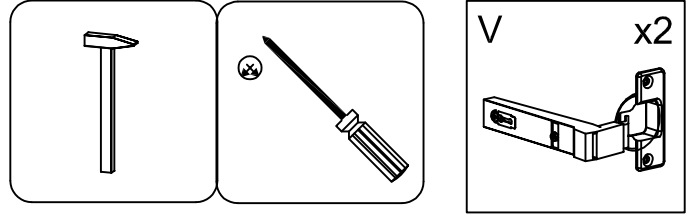


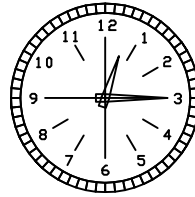
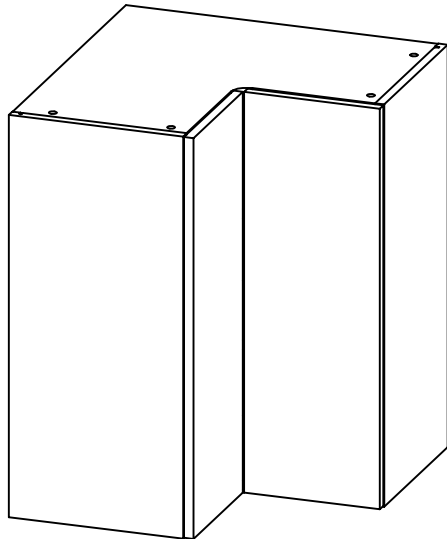
STEP.6- 01

Z	x4	A1	x2	B1	x2
					

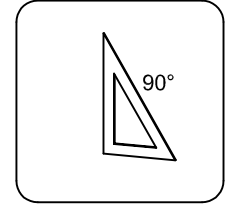
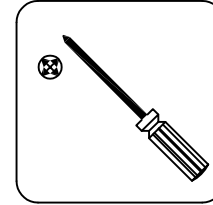
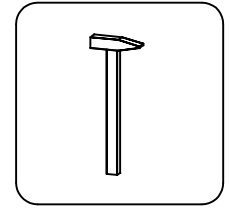
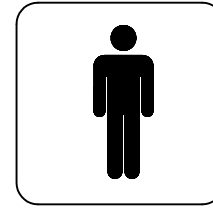


STEP.6- 02 X2



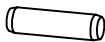

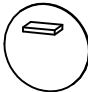
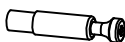



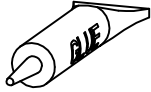
20'



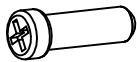
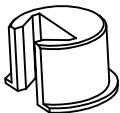



FN00000011K

STEP.1_FN00000011A

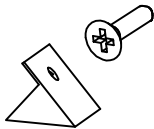
8140000013	8060000880	8060000439	8040001145	8040001144
A x18	B x14	C x12	D x12	E x12
				

8230300014
P x1


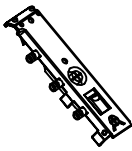
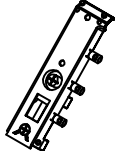

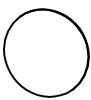
STEP.2_FN00000011B

8040000392	8040002001	8040002002	8060000826	8060000156
S x8	T x8	U x8	A1 x4	H x20
 EURO 6,3X17				

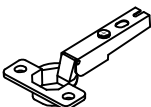
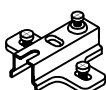

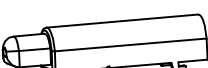
STEP.3_FN00000011C

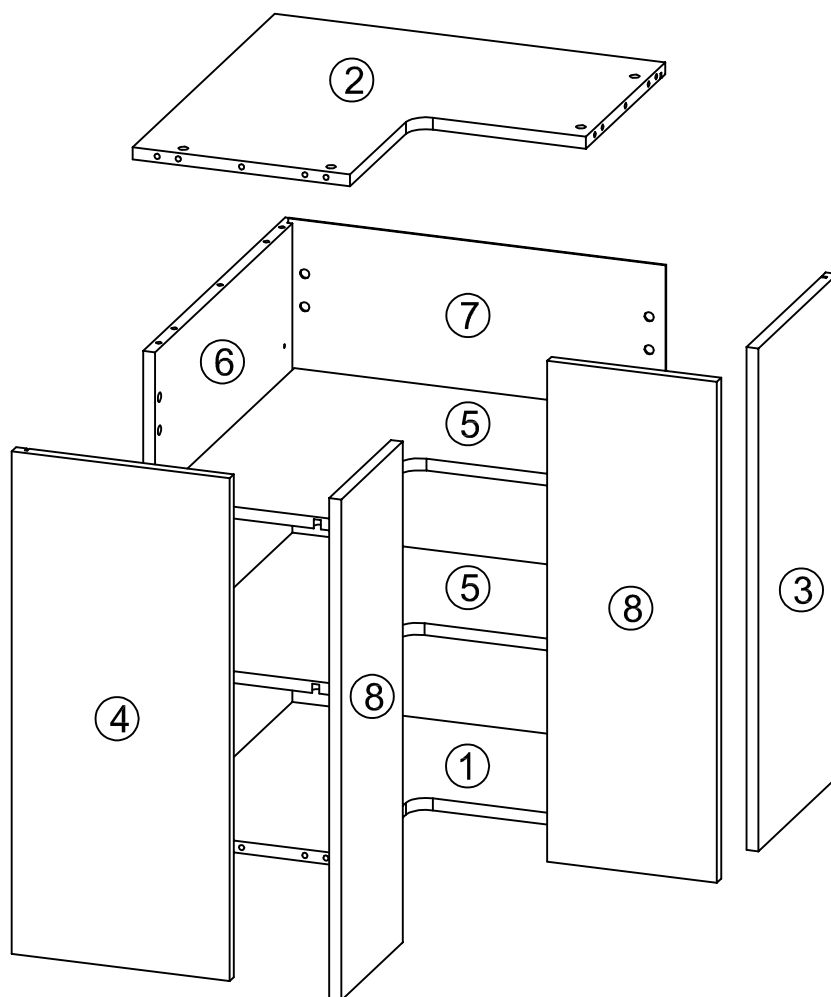
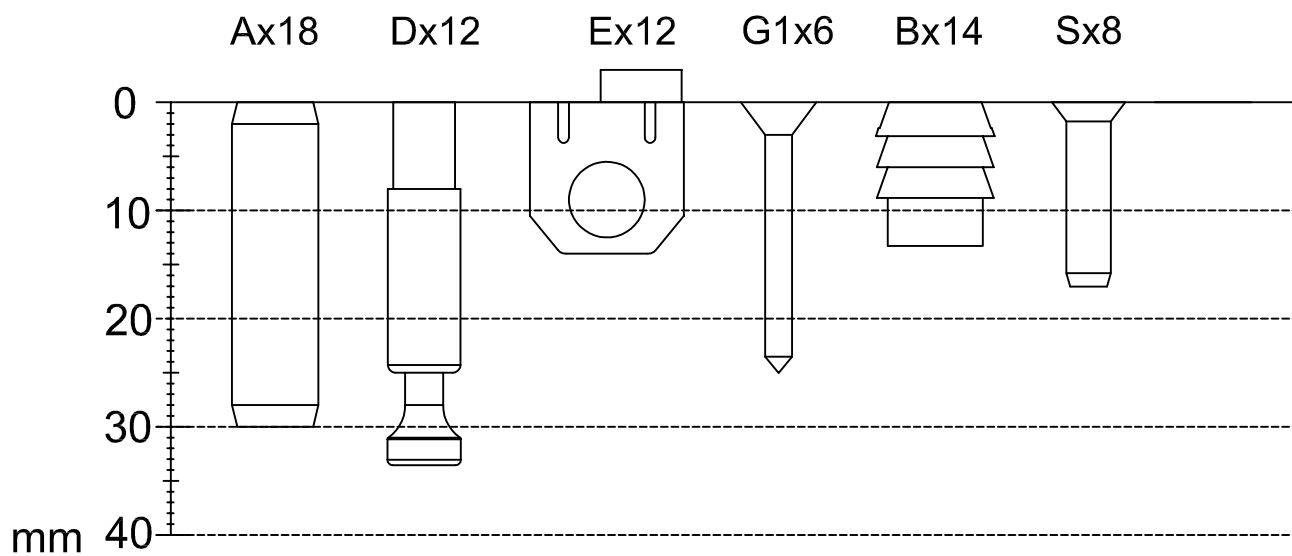
8040000762
L1 x10


STEP.4_FN00000012

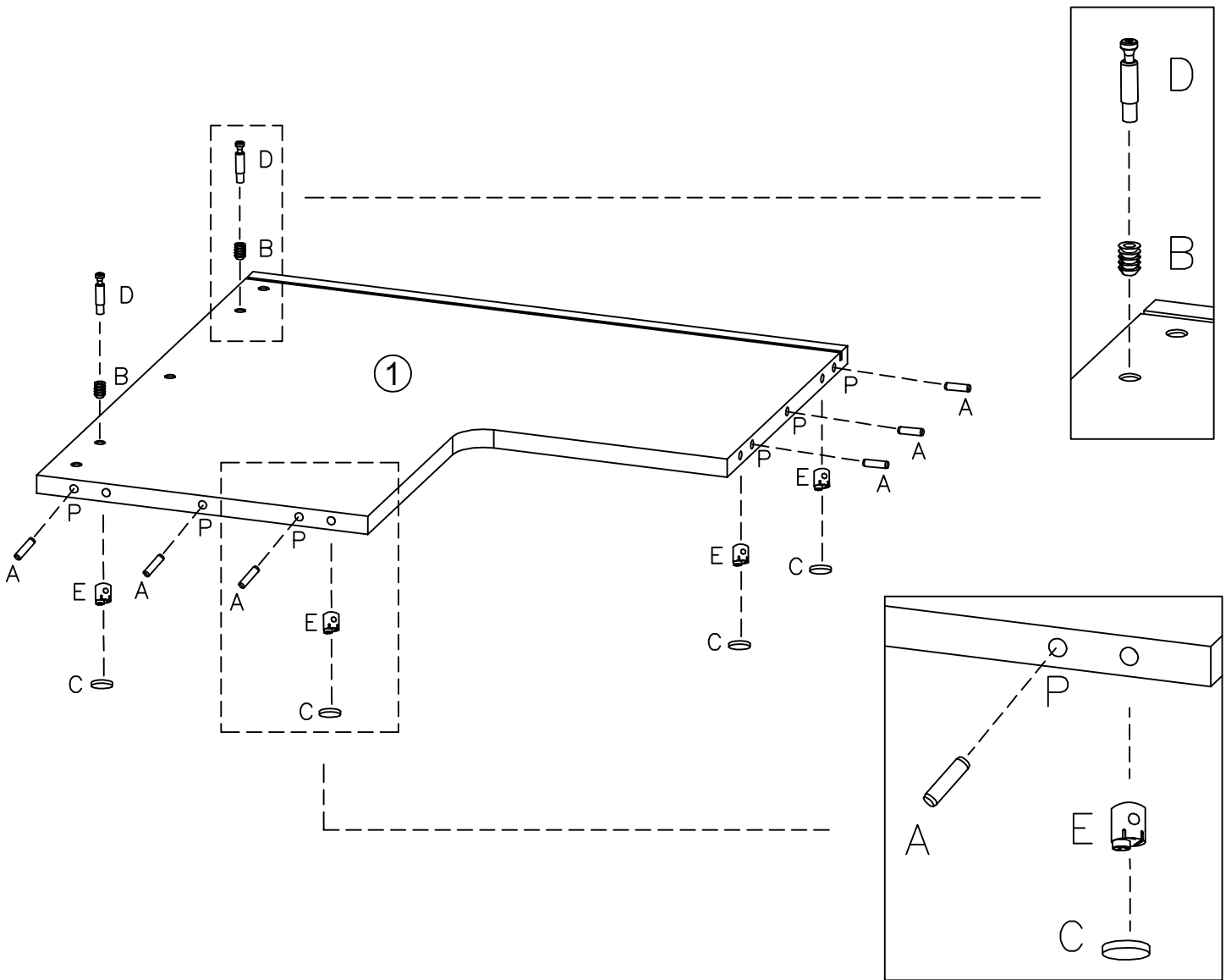
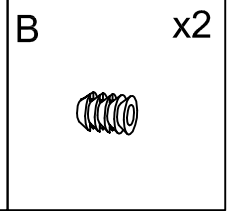
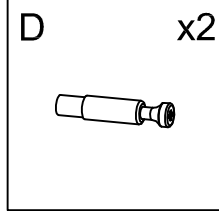
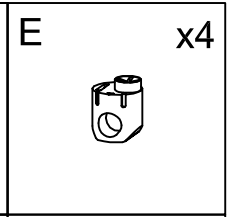
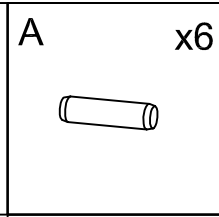
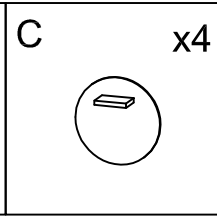
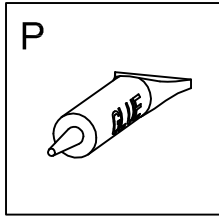
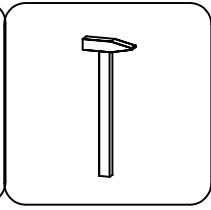
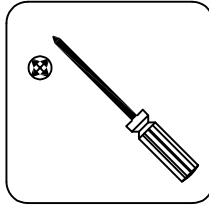
8050002028	8050002029	8040000496	8060000856
D1 x2	E1 x1	G1 x6	H1 x6
		 TSP 3,5X25	

STEP.5_HDI0000007A

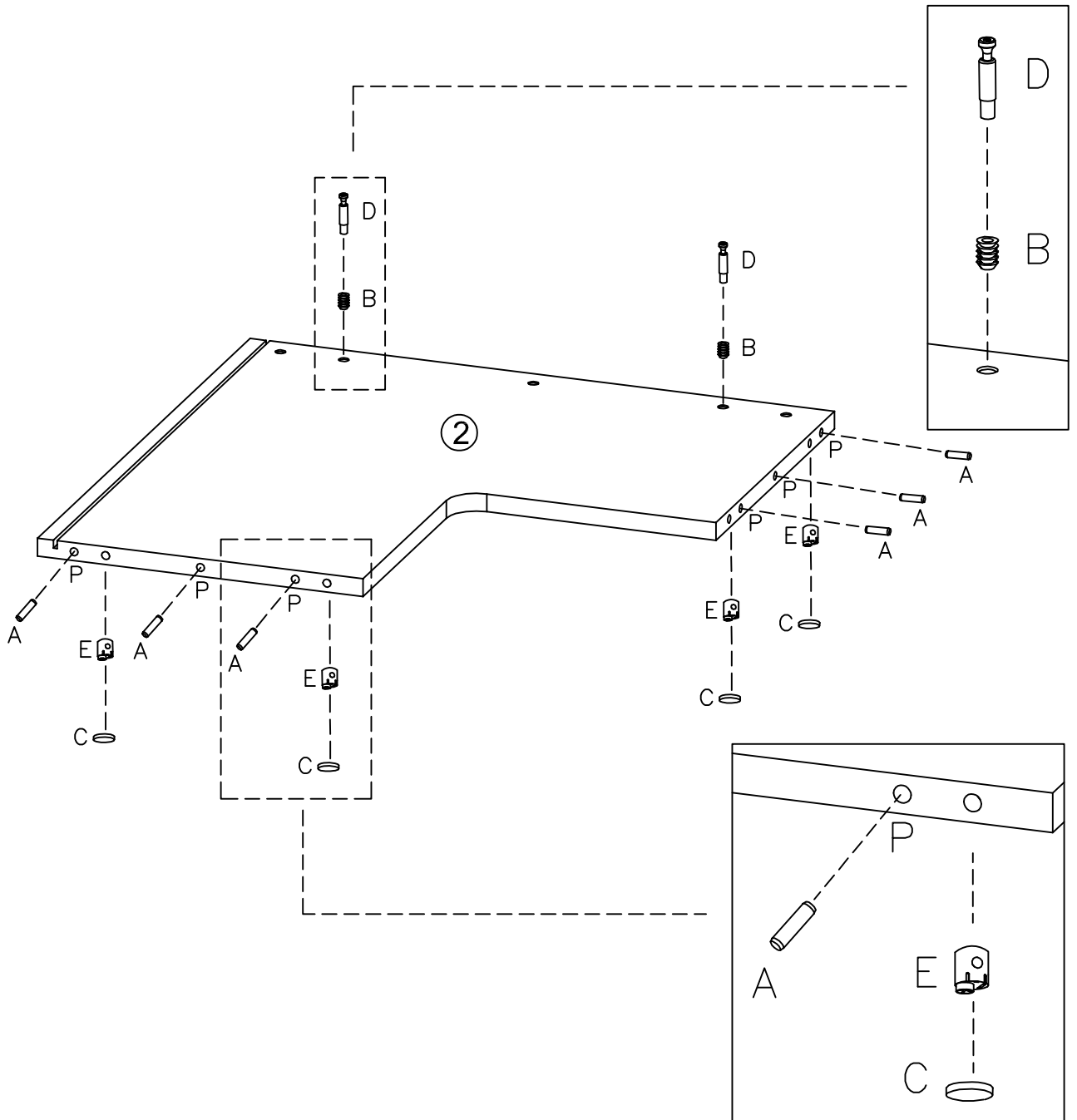
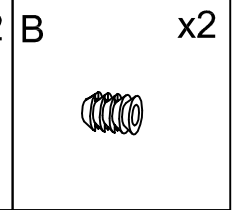
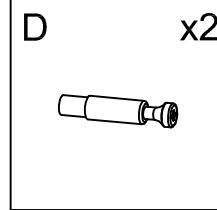
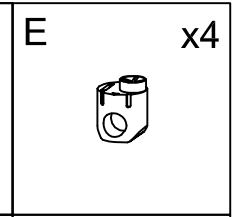
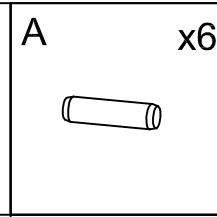
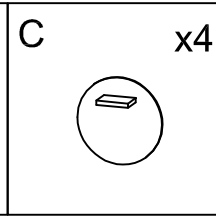
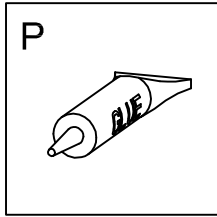
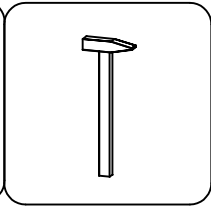
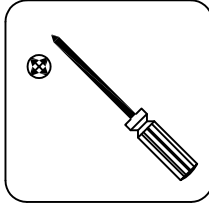
8040002033	8040001376	8040002161	8040002162
V x4	Z x4	B1 x2	C1 x2
			



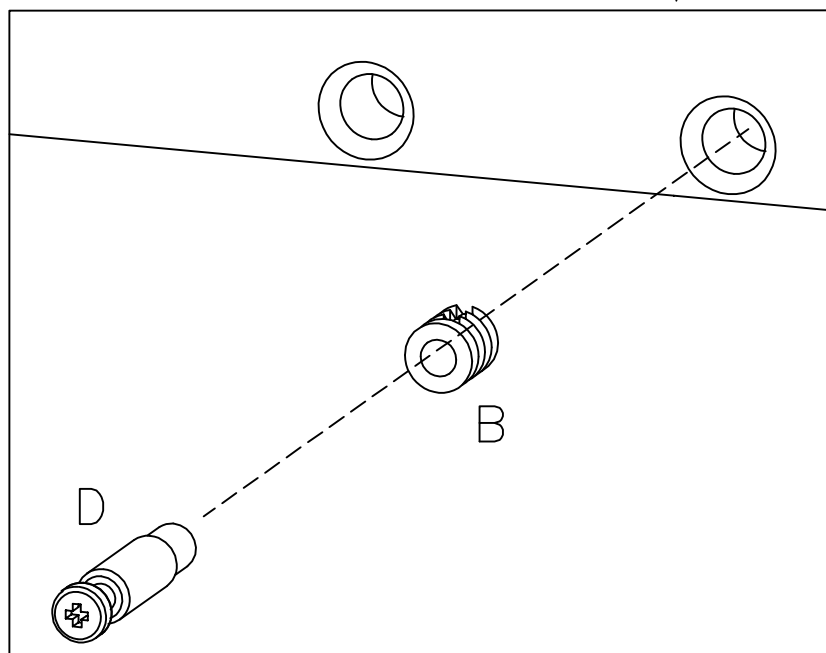
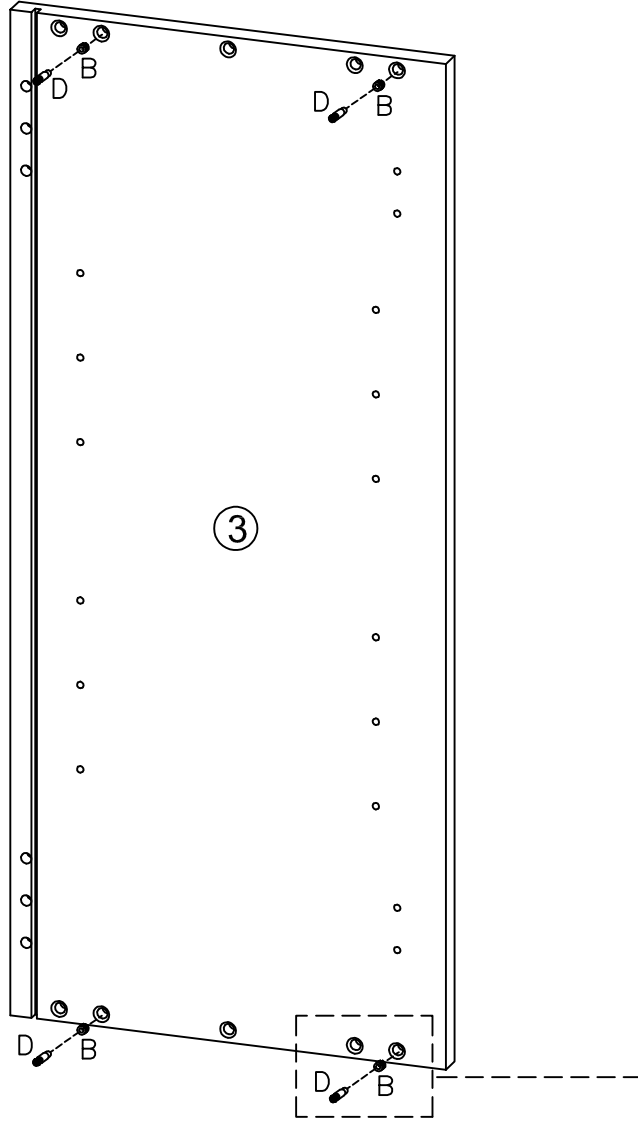
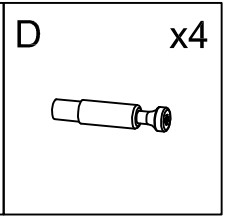
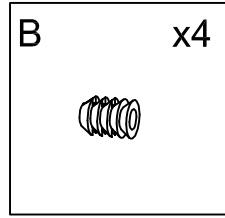
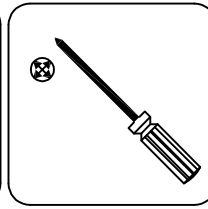
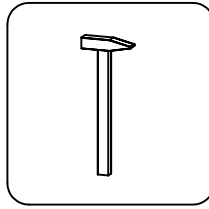
STEP.1- 01



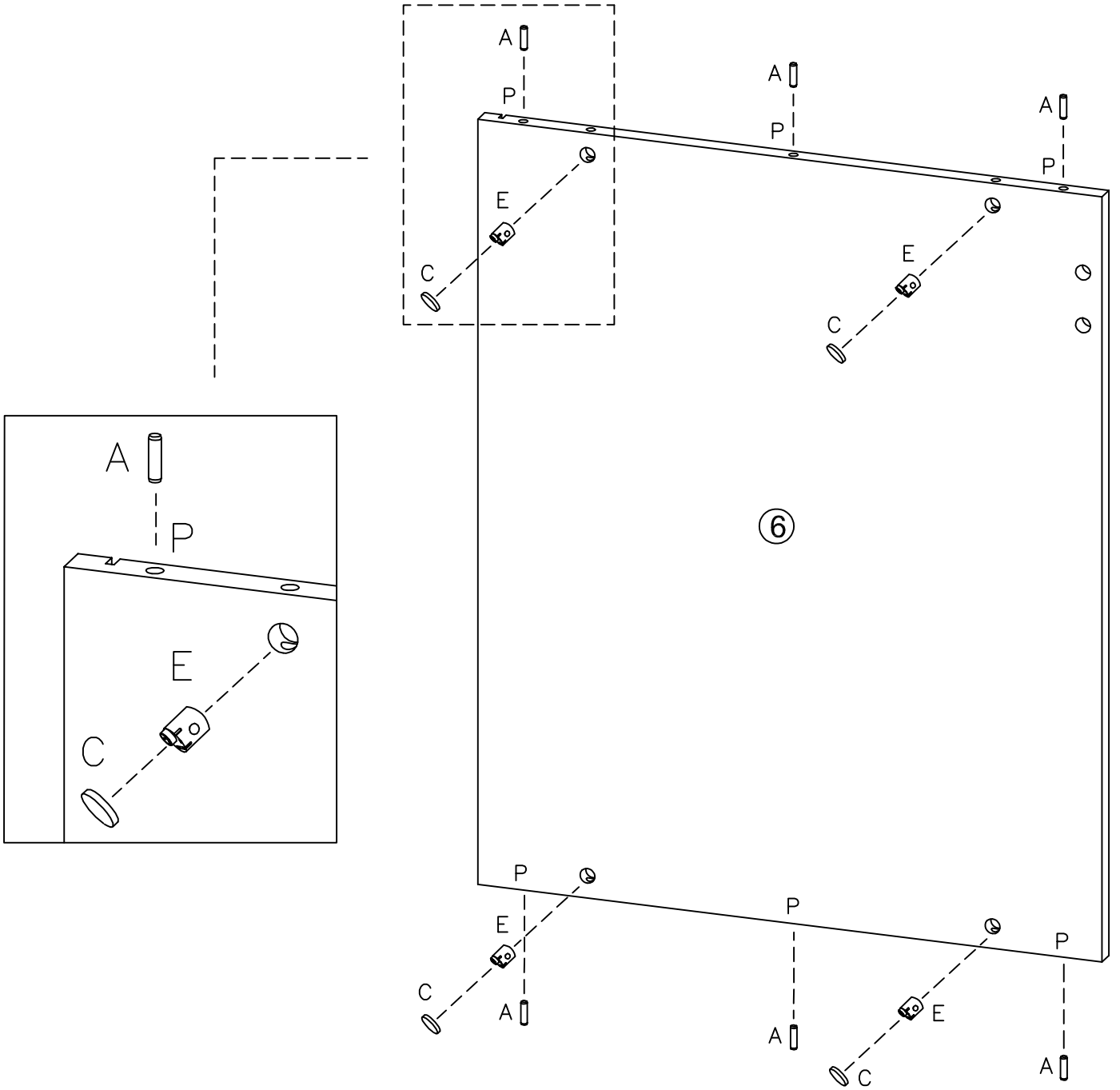
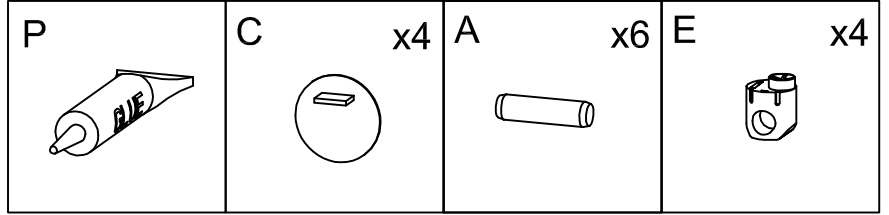
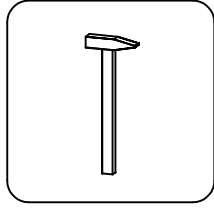
STEP.1- 02



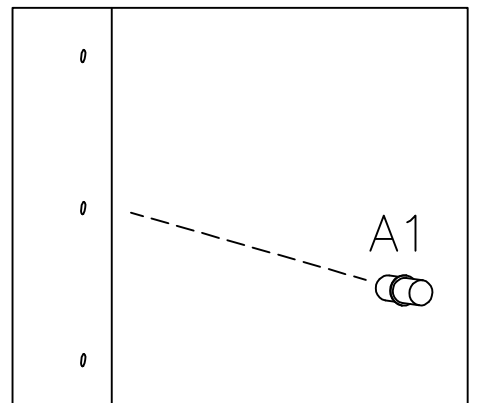
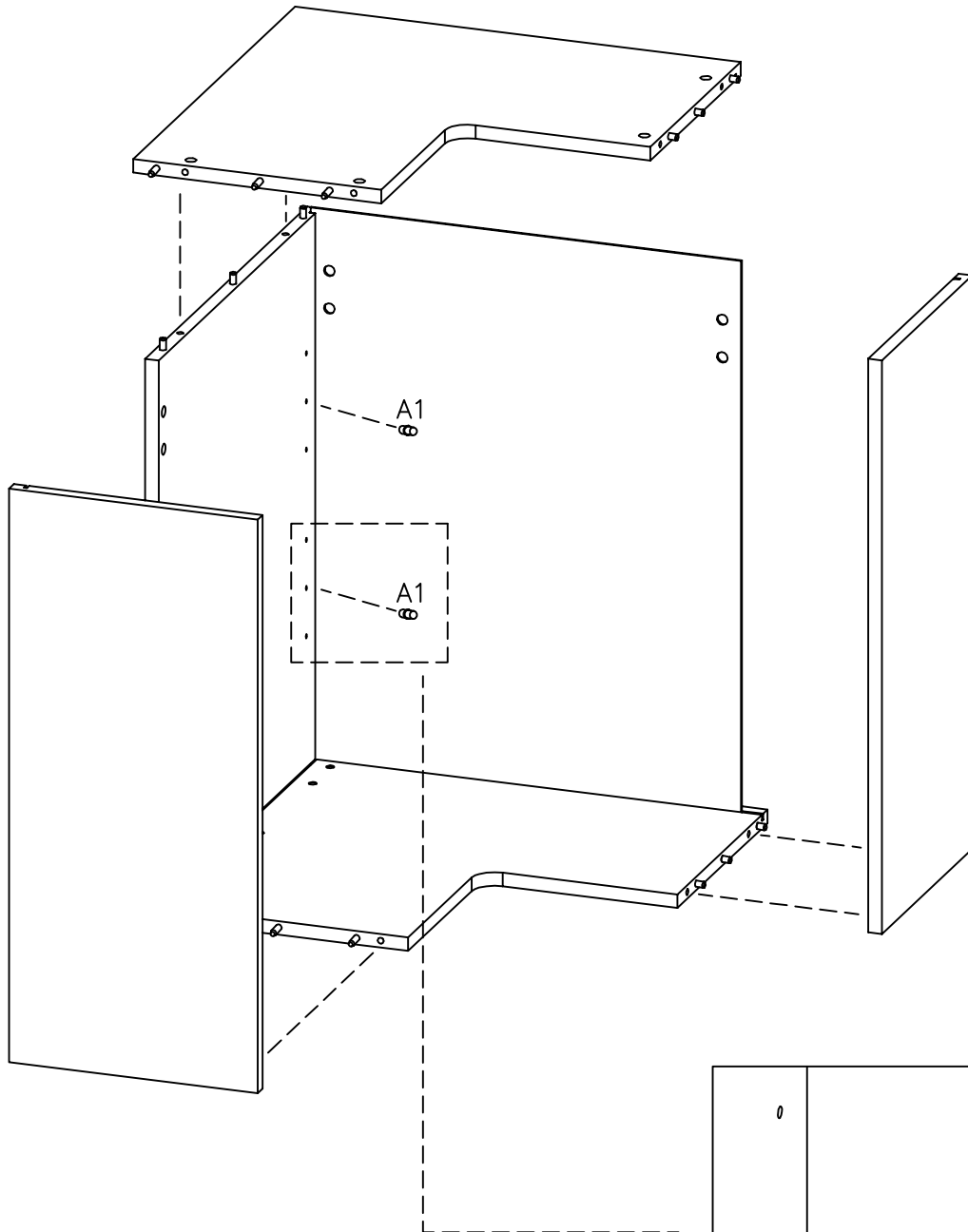
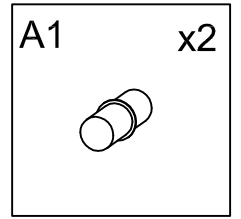
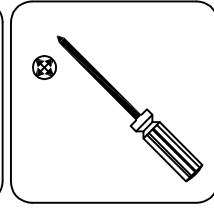
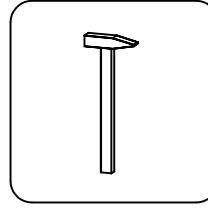
STEP.1- 03 X2



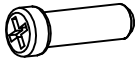
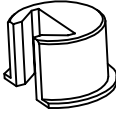


STEP.1- 04

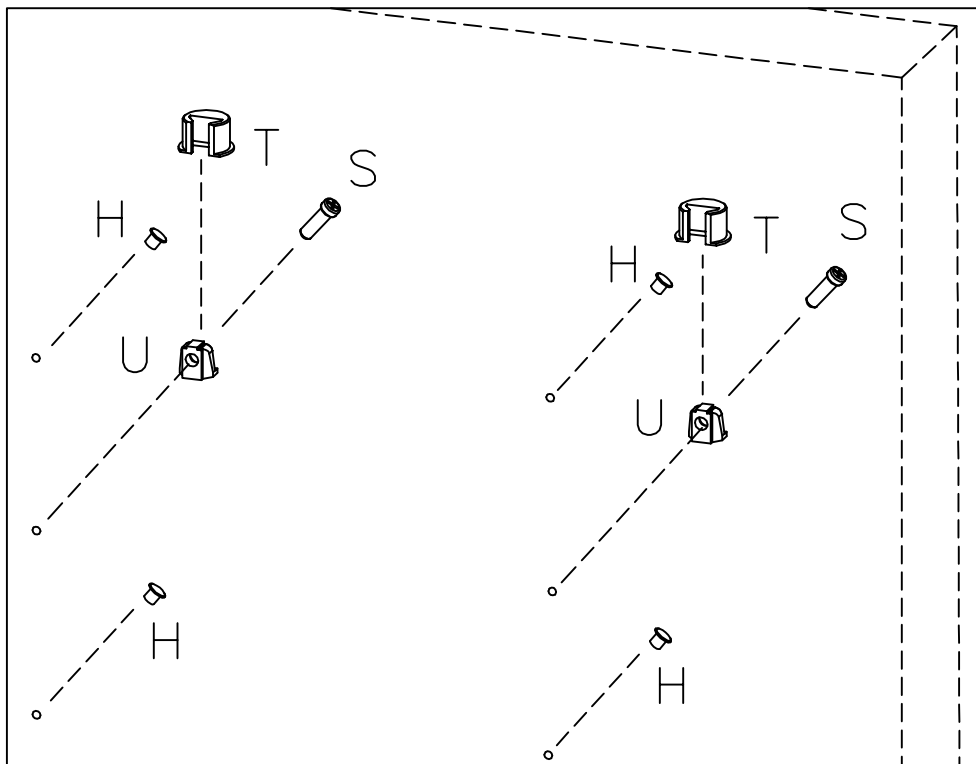
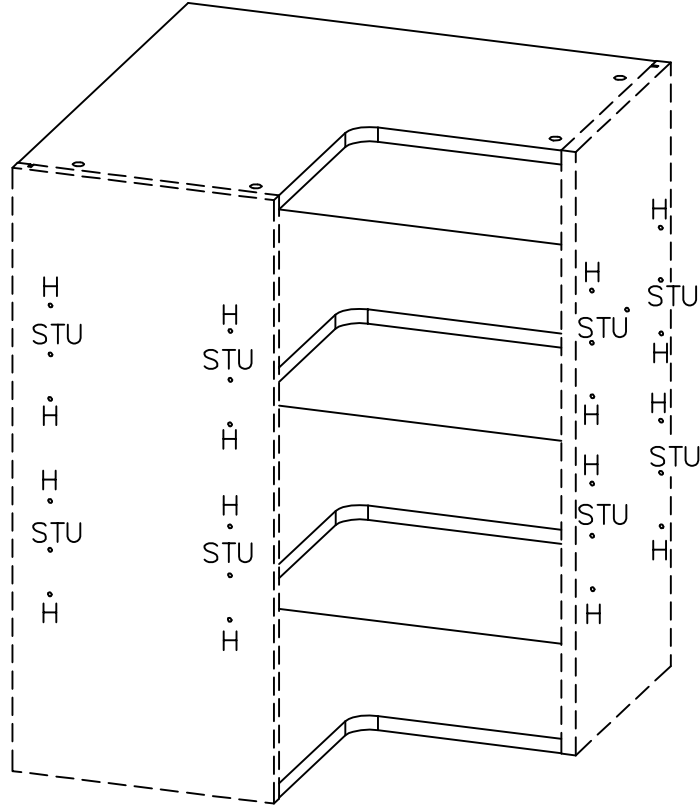


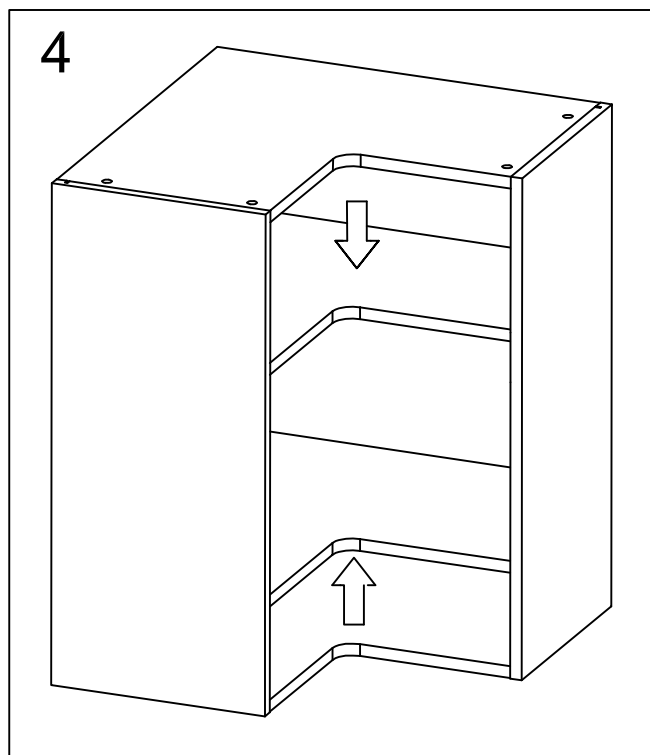
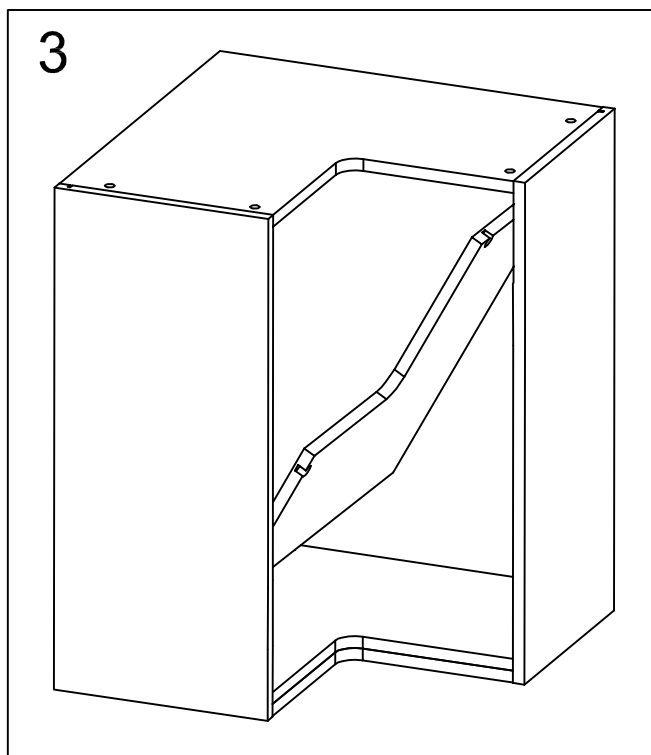
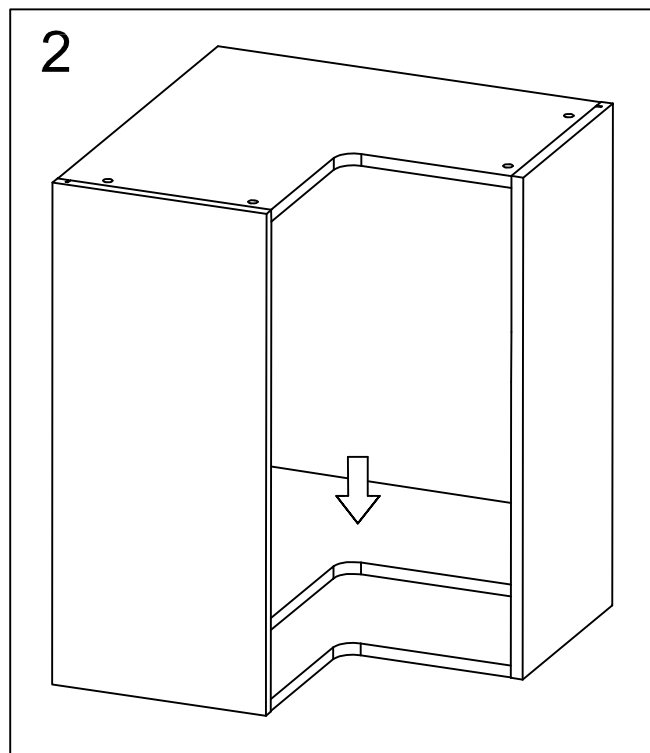
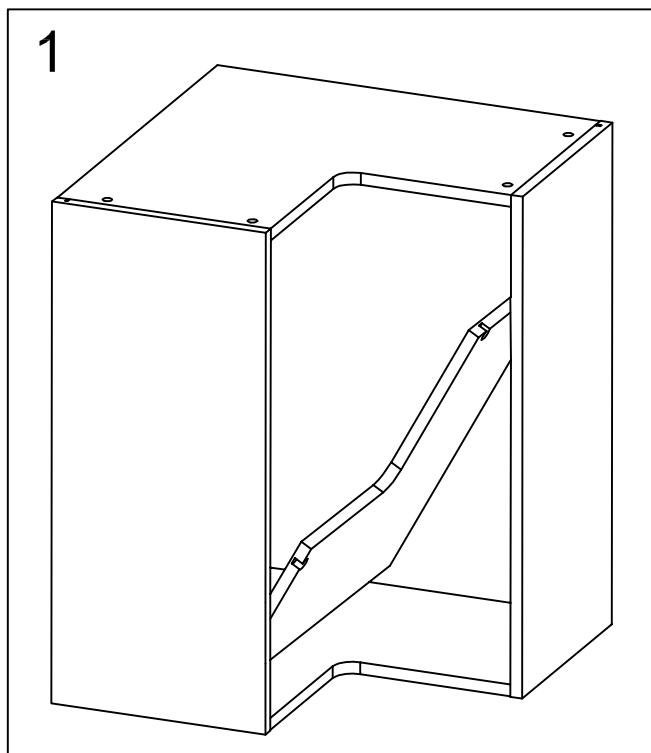
STEP.2- 01



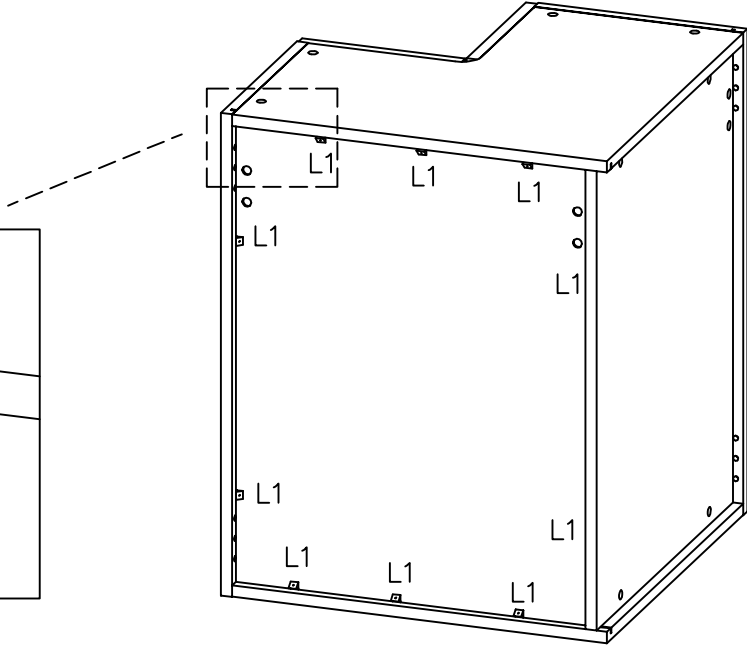
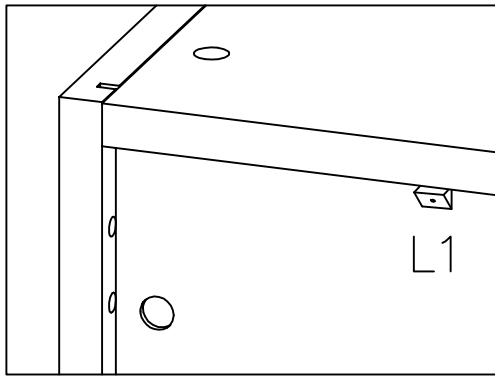
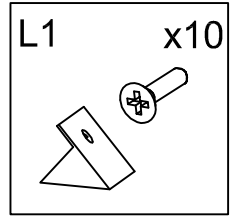
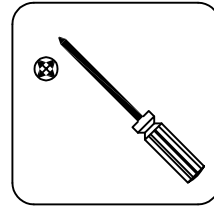
STEP.2- 02

S	x8	T	x8	U	x8	H	x20
							
EURO 6,3X17							

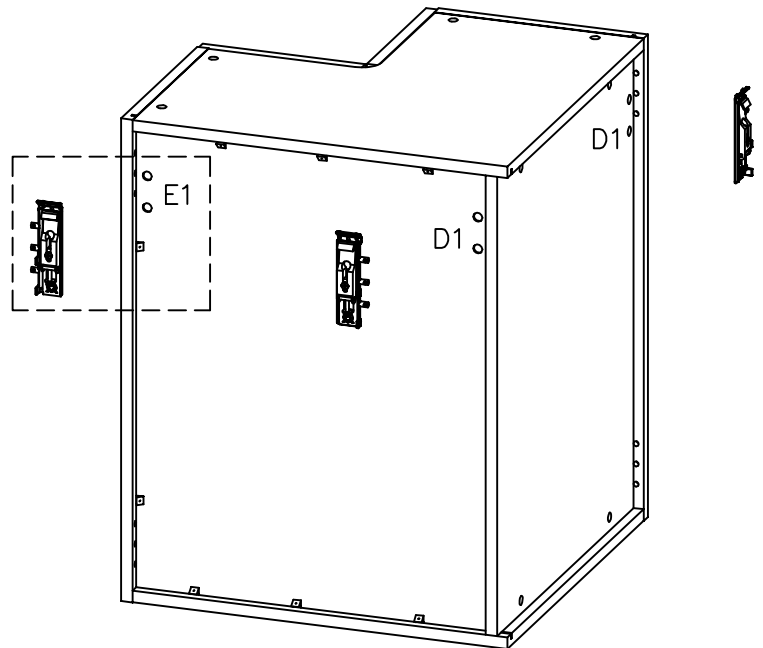
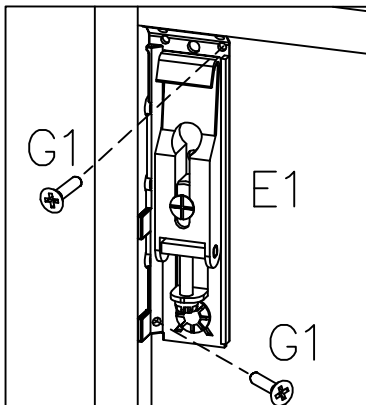
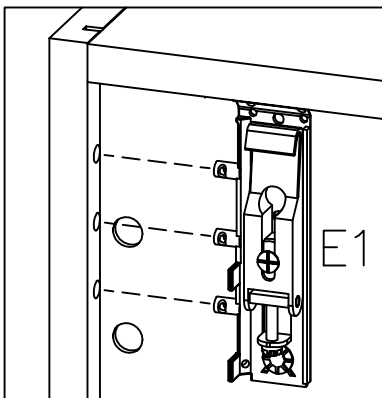
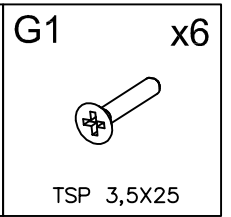
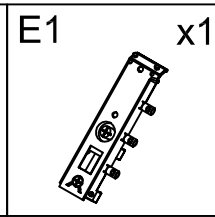
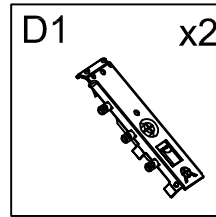




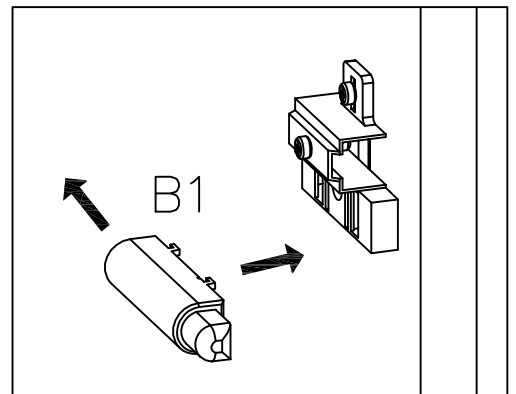
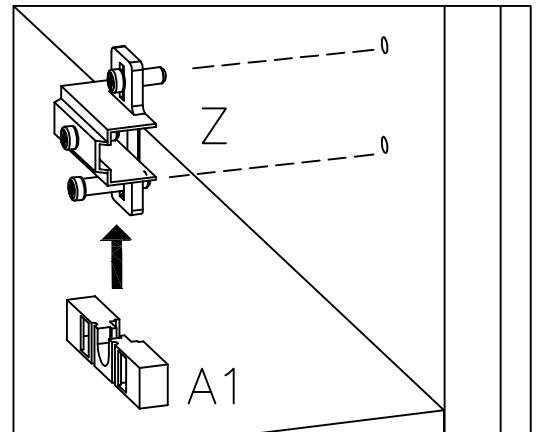
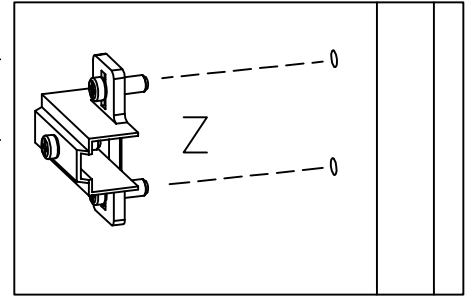
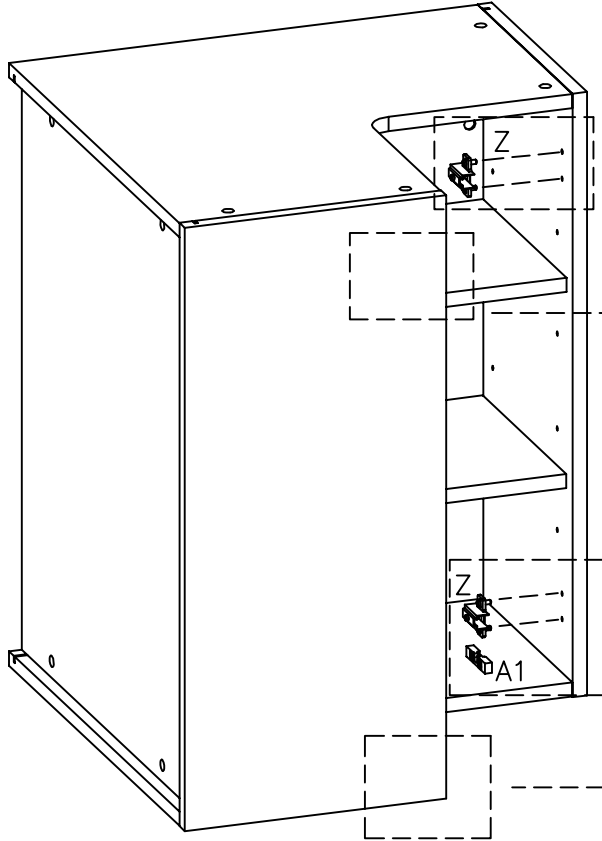
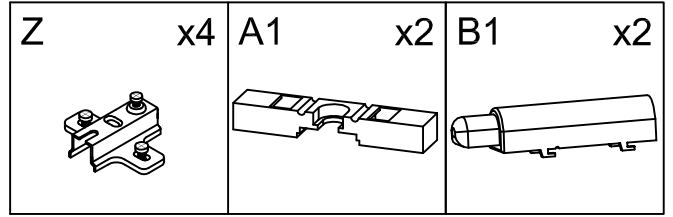
STEP.3- 01



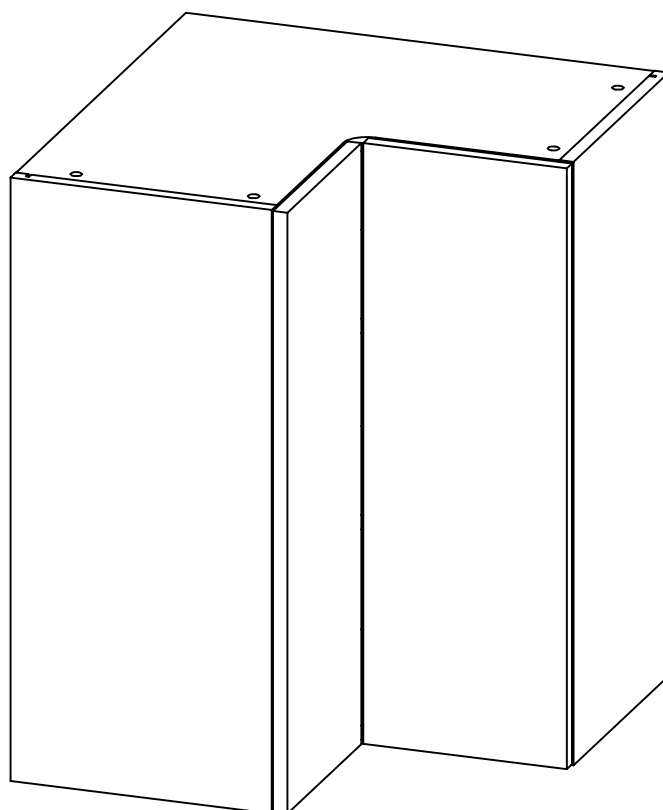
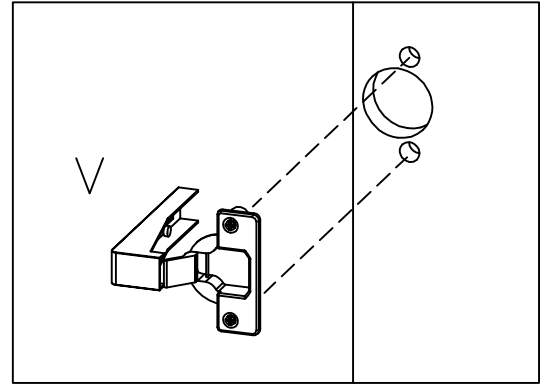
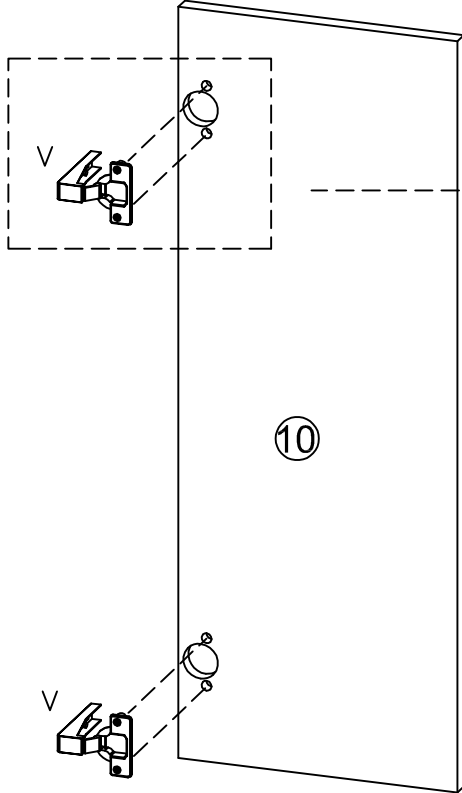
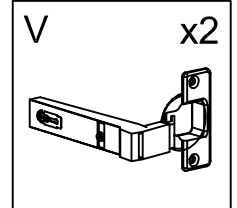
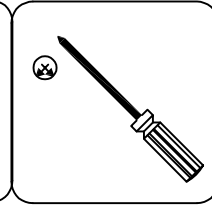
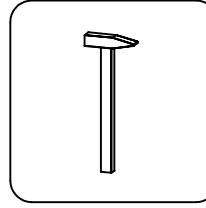
STEP.4- 01

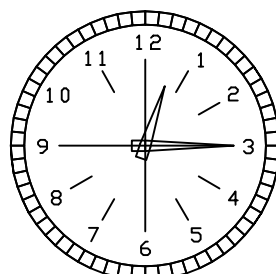
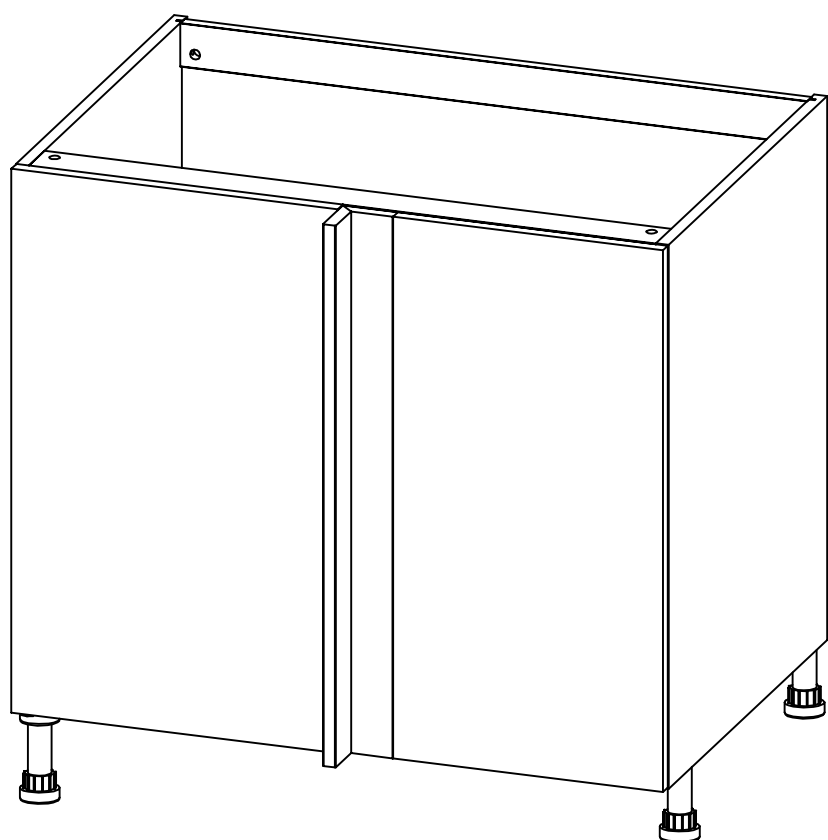


STEP.5- 01

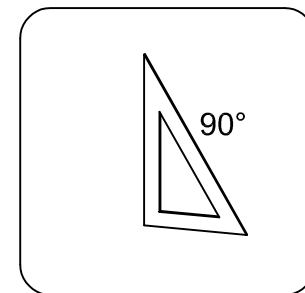
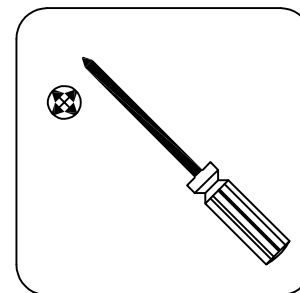
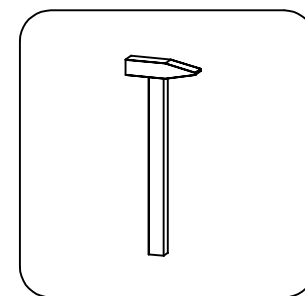


STEP.5- 02 X2





20°



STEP.1_F712000001

8060000411	8060000412
Q x4	R x4

FN00000013K

STEP.2_FN00000013A

8140000013	8060000880	8060000439	8040001145	8040001144
A x10	B x10	C x8	D x8	E x8

8230300014
P x1

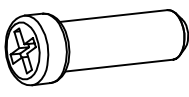
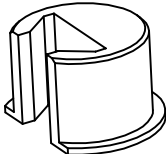

STEP.3_FN00000013B

8040000762	8060000067	8060000156
L x10	G x8	H x12


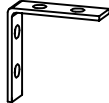
STEP.4_FN00000013C

8040000017	8060000340	8060000540	8050001556
A1 x3	B1 x12	C1 x15	D1 x5
	TSP 3,5X15	TSP 3,5X20	

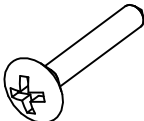

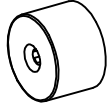
STEP.5_FN00000014A

8040000392	8040002001	8040002002
S x4	T x4	U x4
		
EURO 6,3X17		

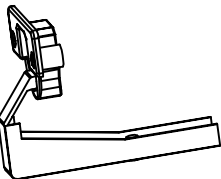
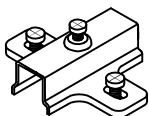
STEP.8_FN00000014B

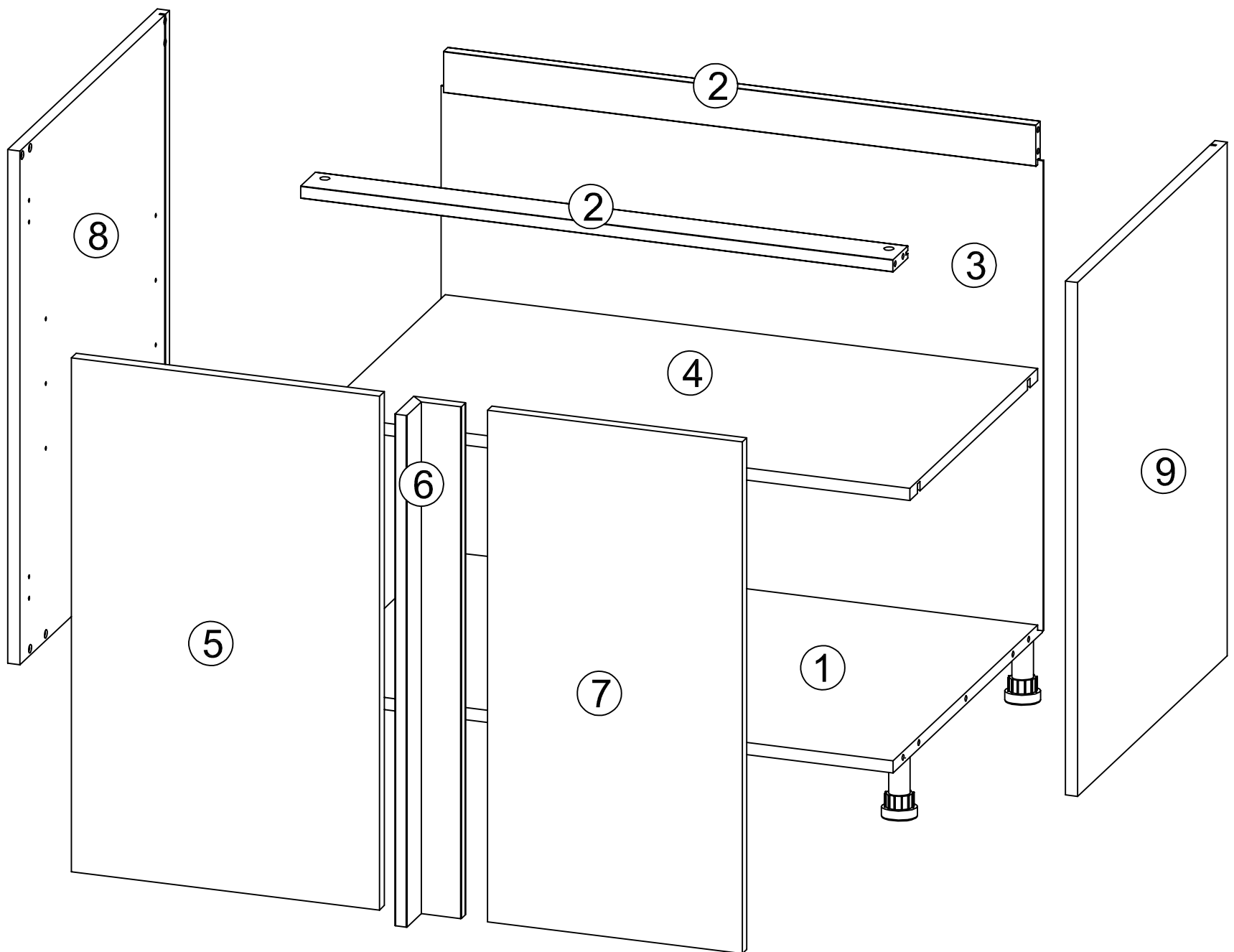
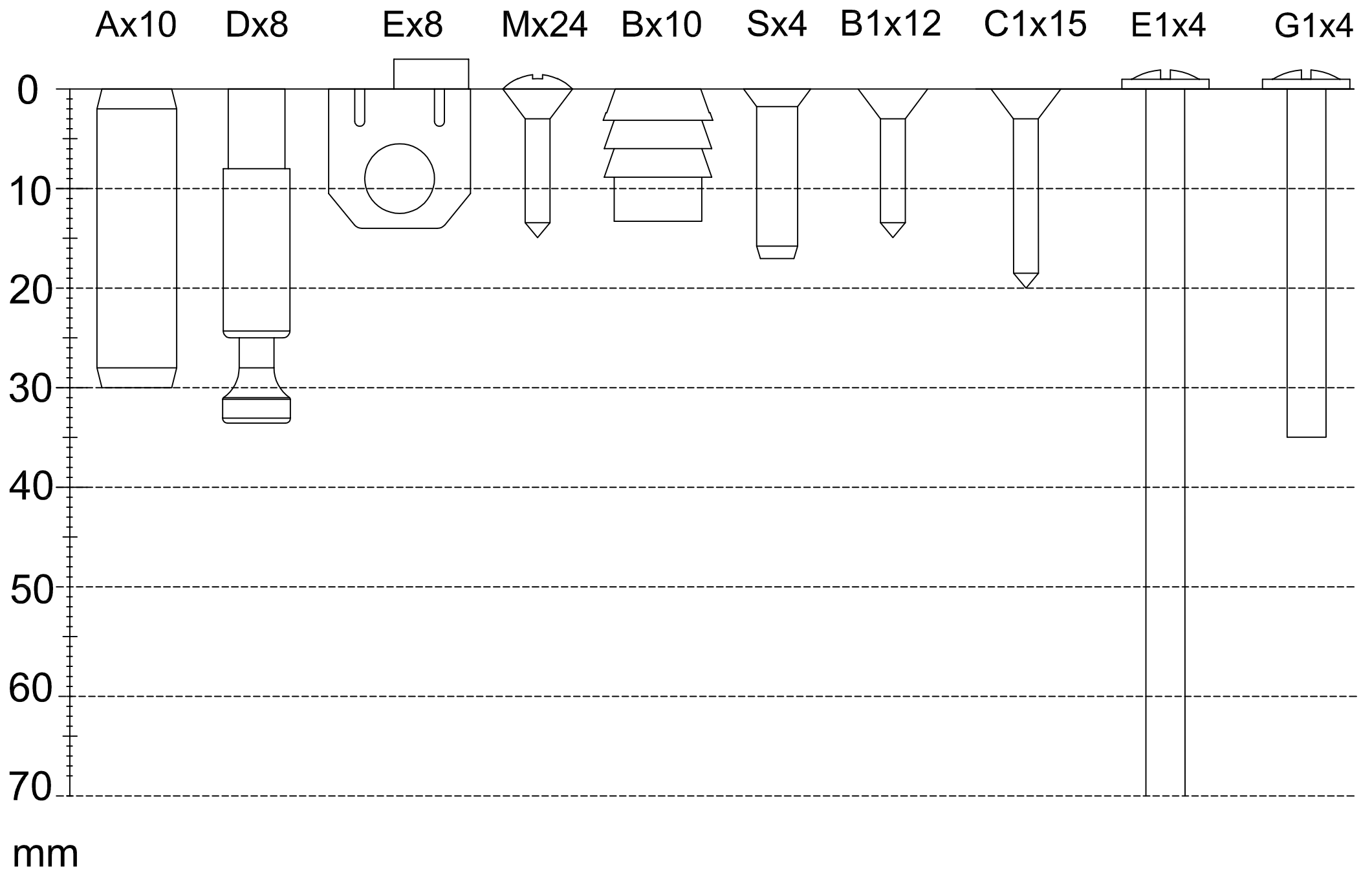
8060000005	8060000010
M x24	N x2
	
TGS 3,5X15	

STEP.7_FN00000014C

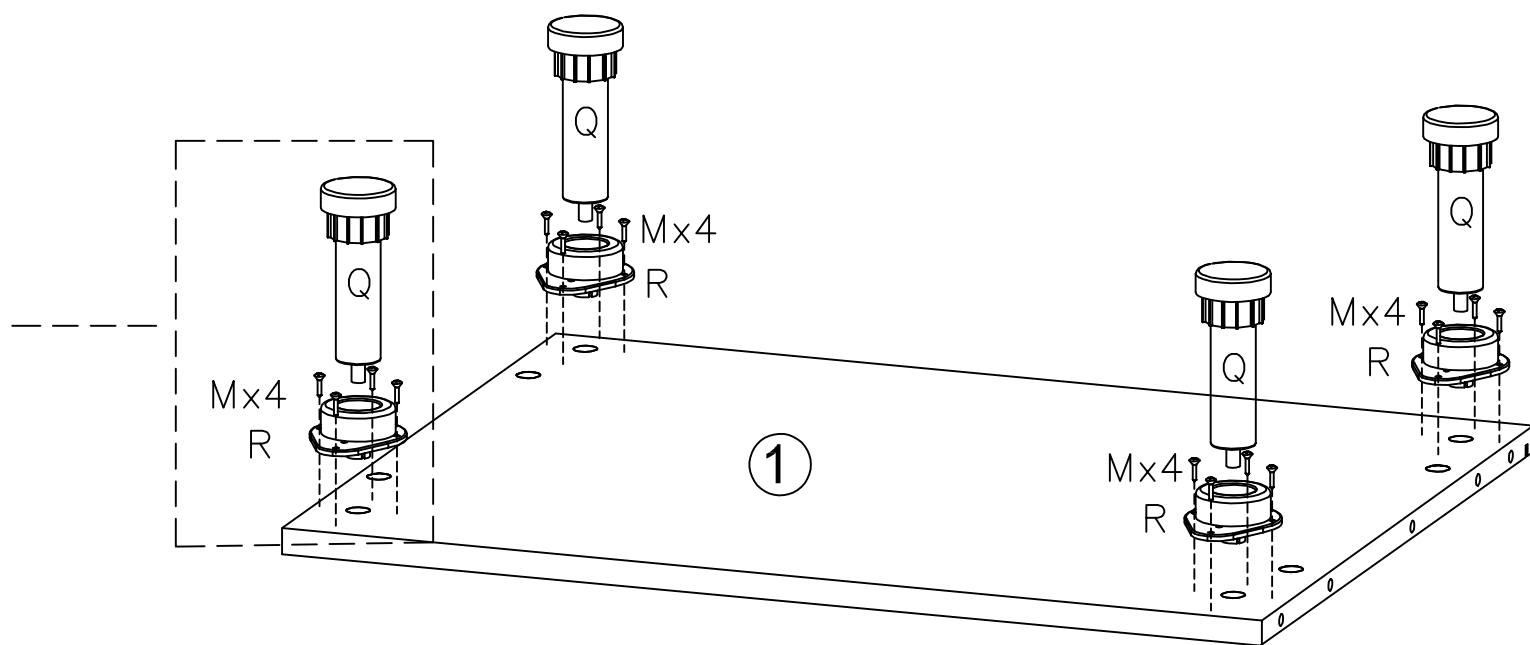
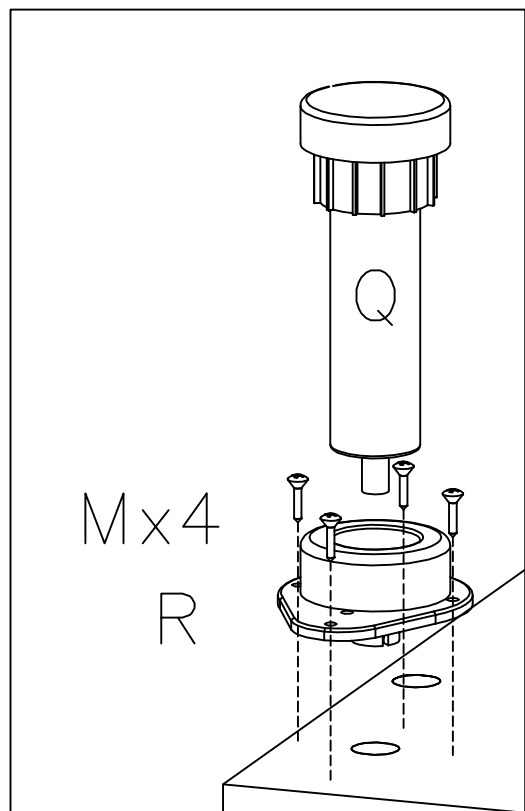
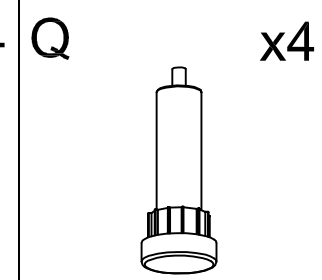
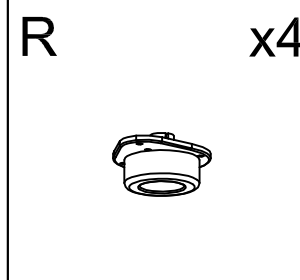
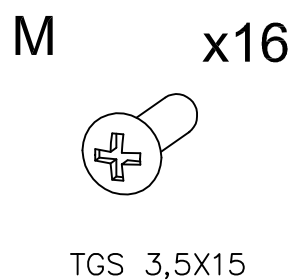
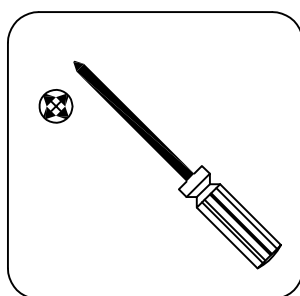
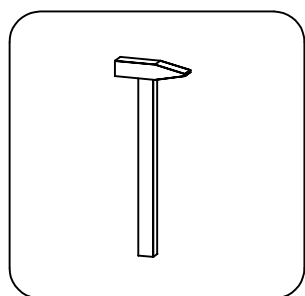
8040001392	8040002001	8040002002
E1 x2	G1 x2	H1 x6
		
TBL 4MAX70	TUB 4MAX35	

STEP.6_HID00000011

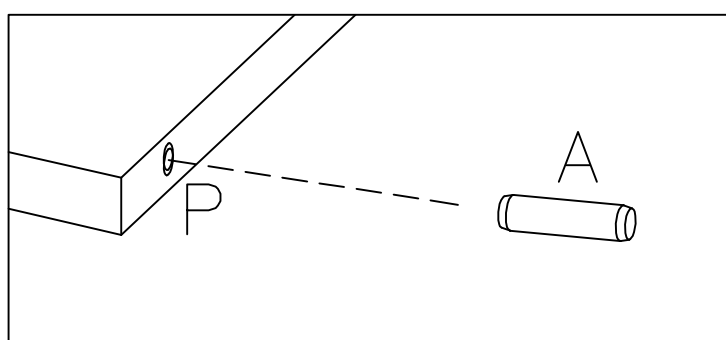
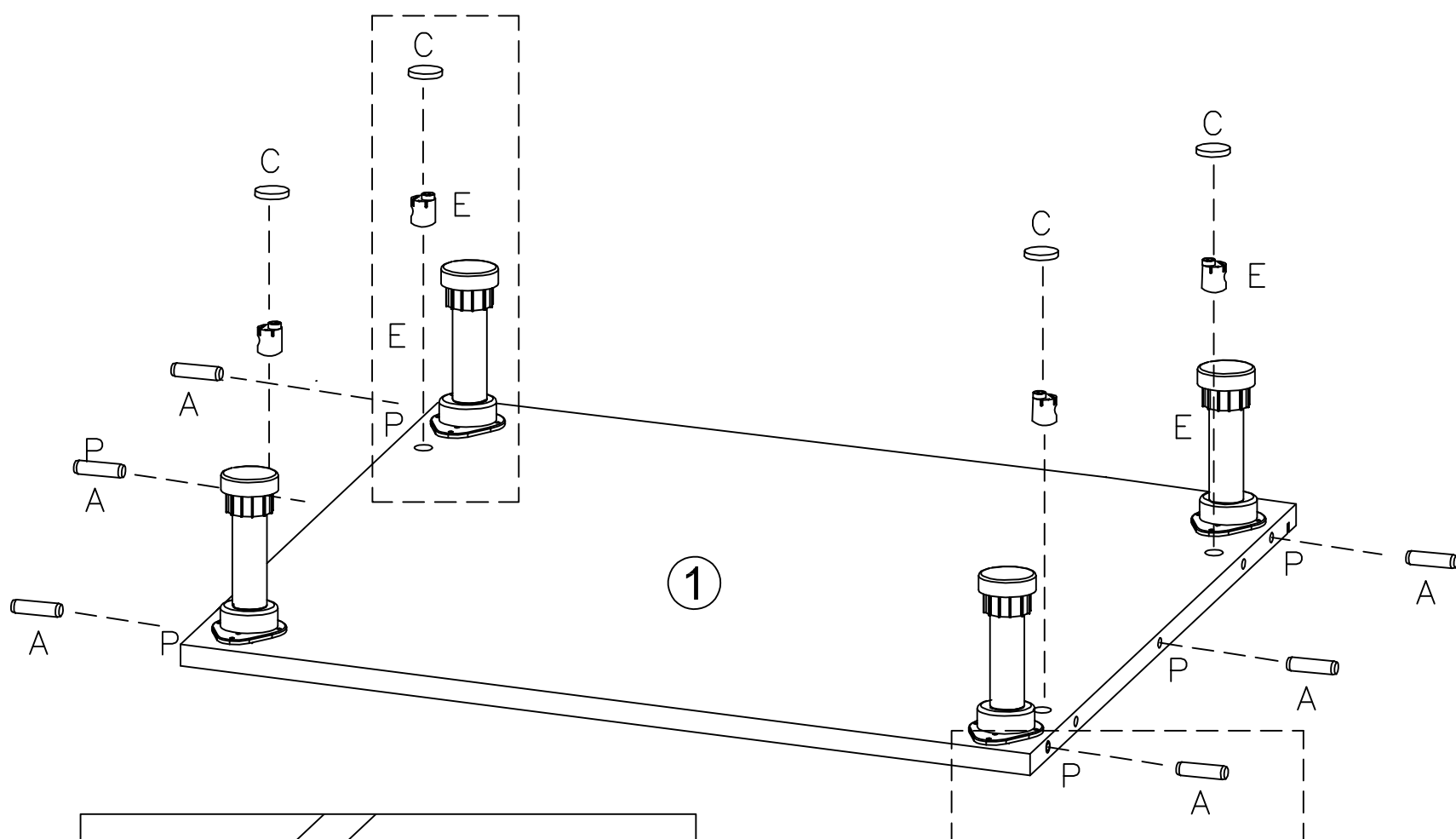
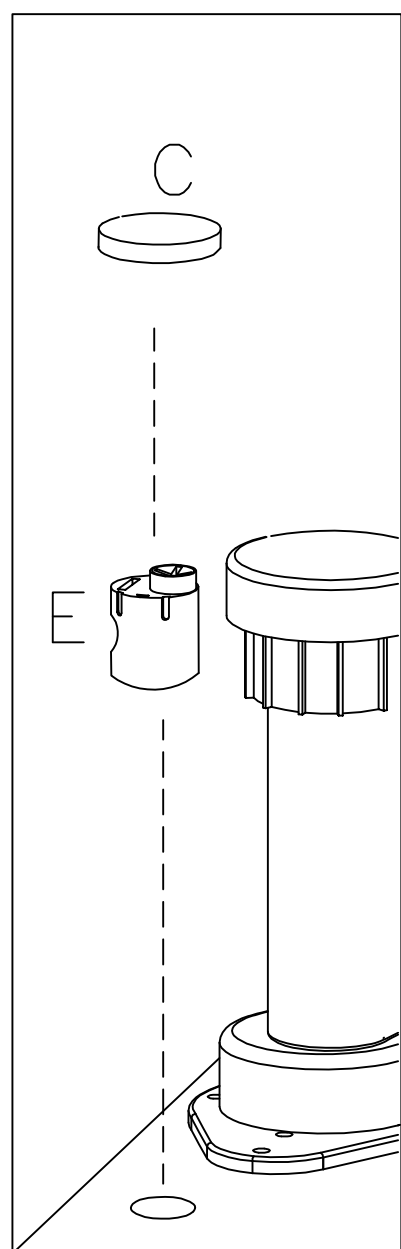
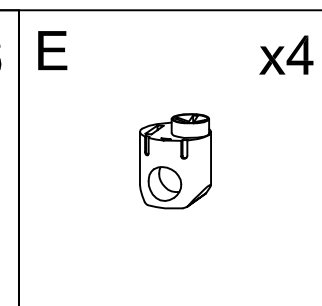
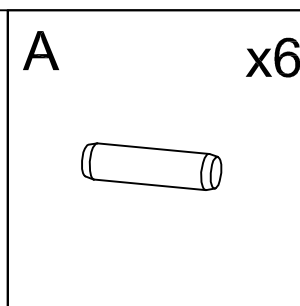
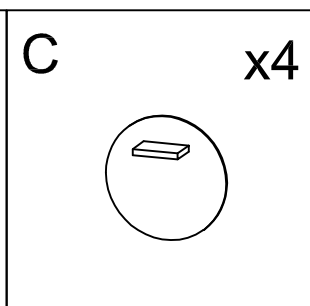
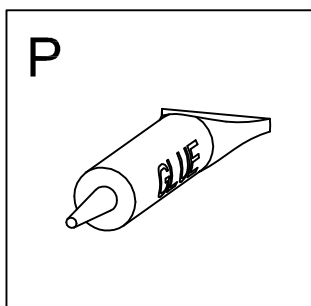
8040002166	8040002165
V x2	Z x2
	



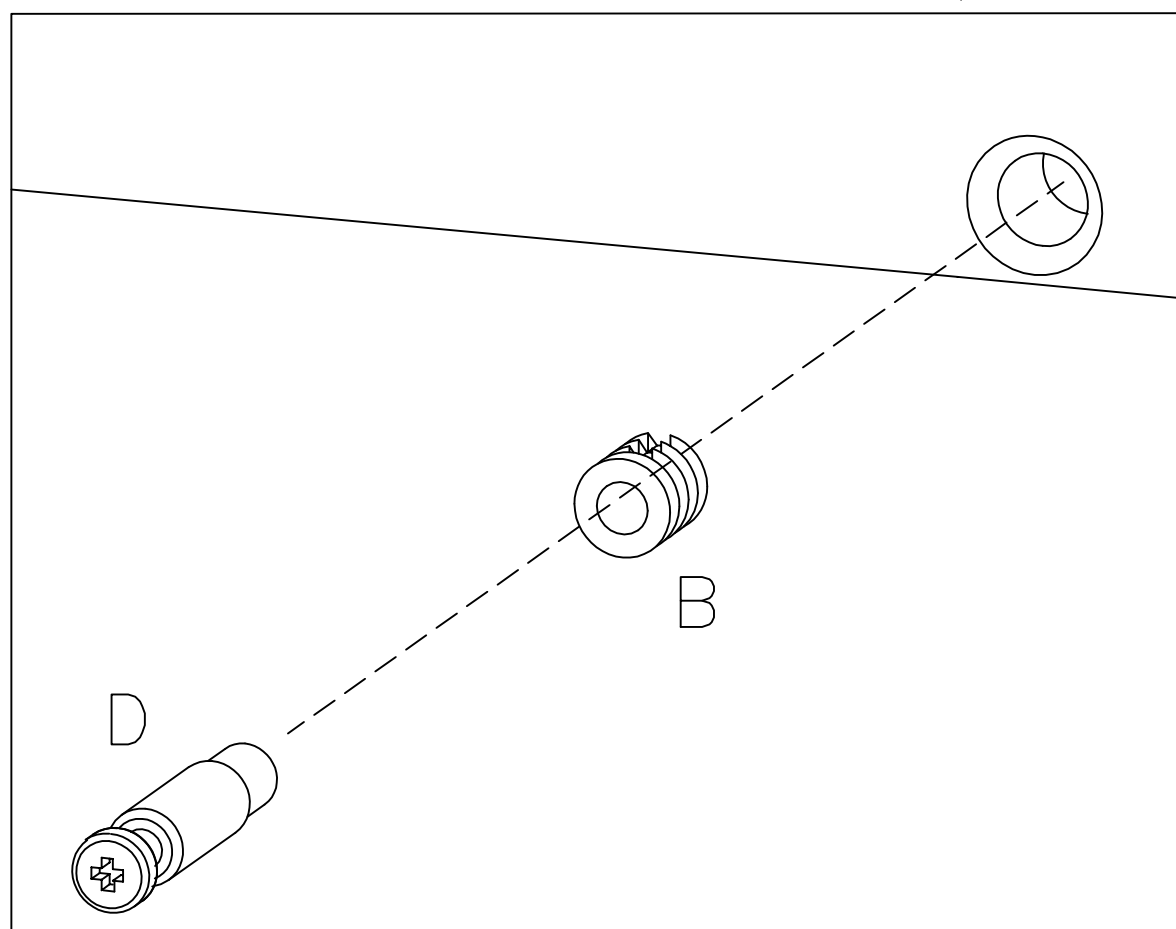
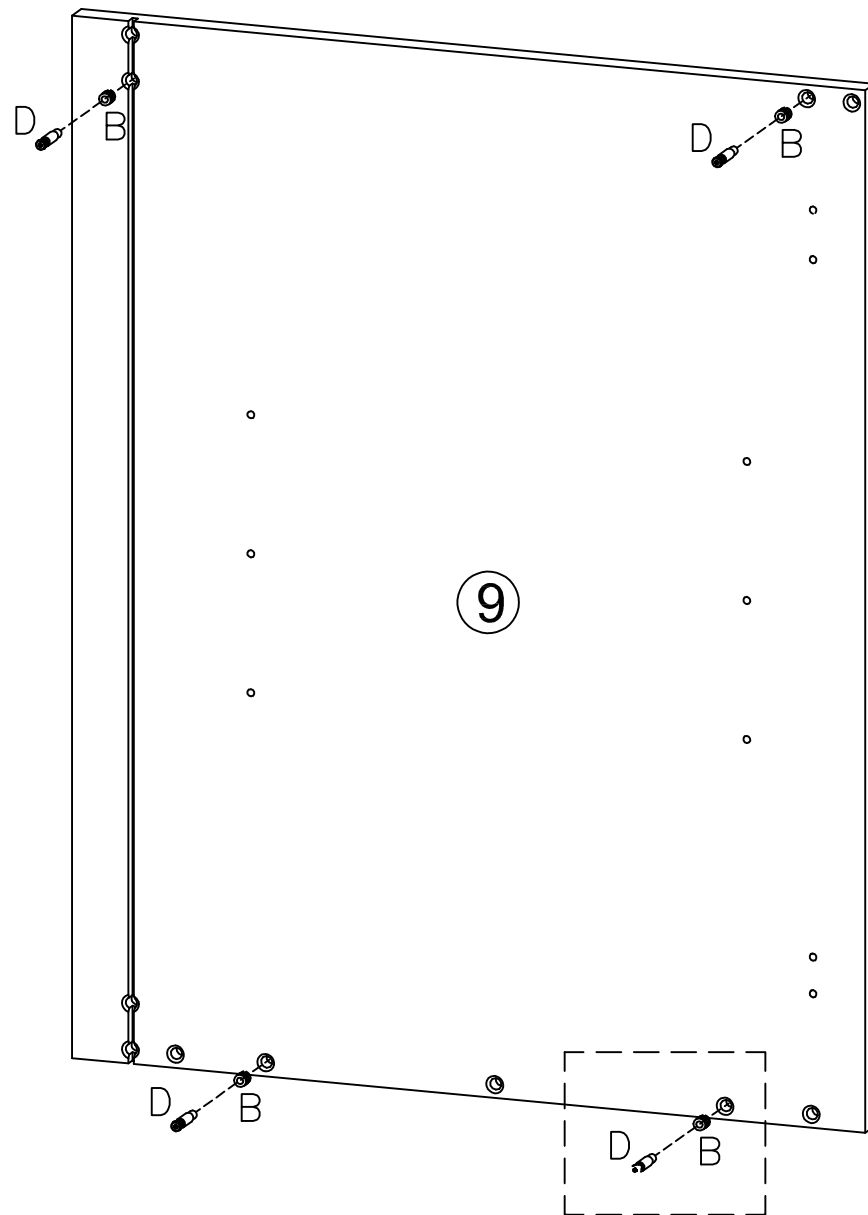
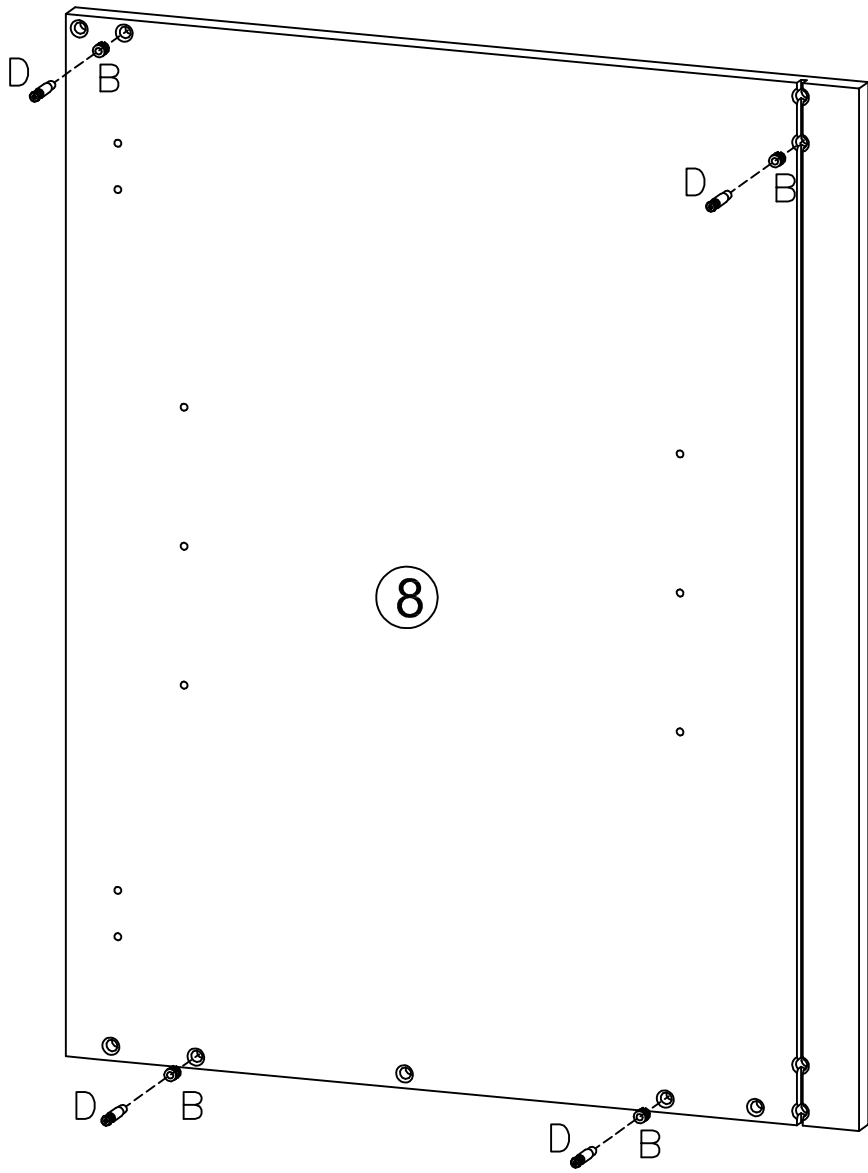
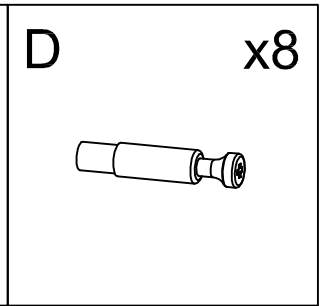
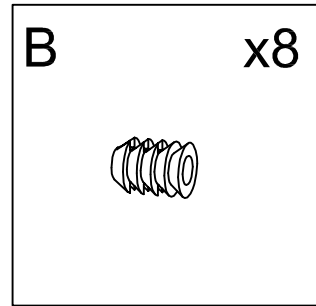
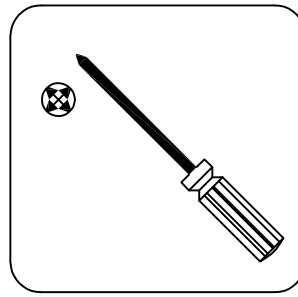
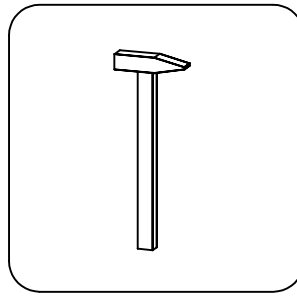
STEP.1- 01



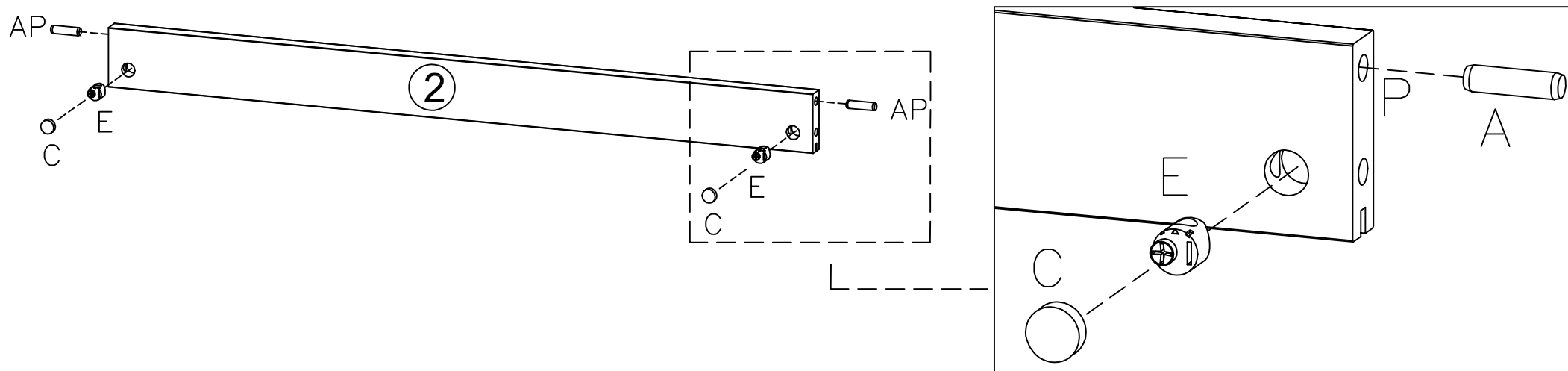
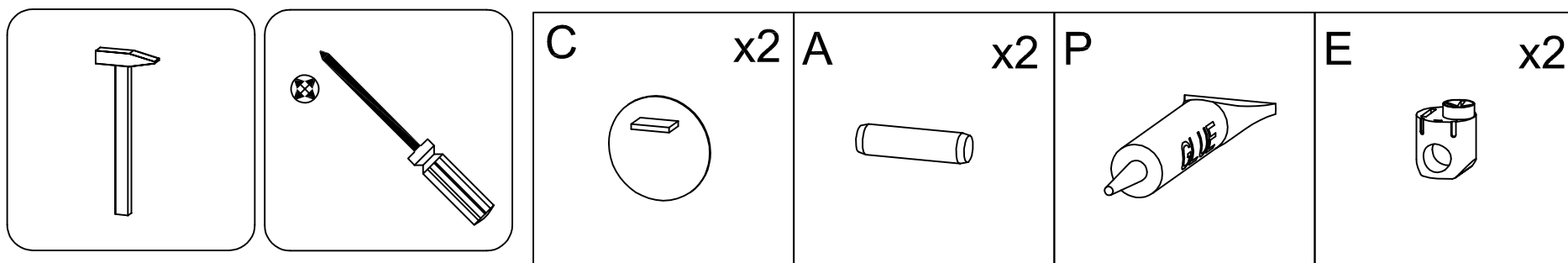
STEP.2- 01



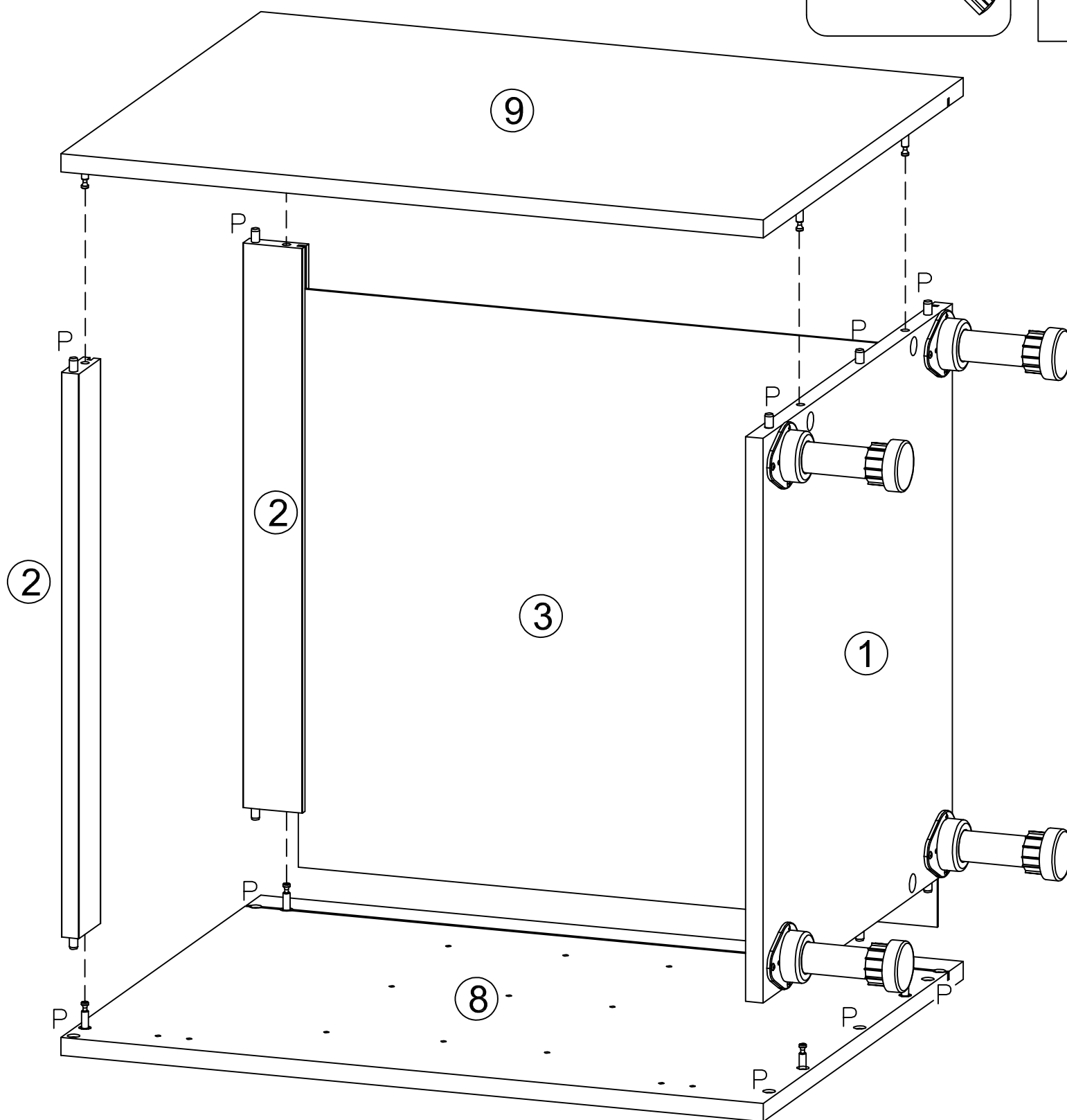
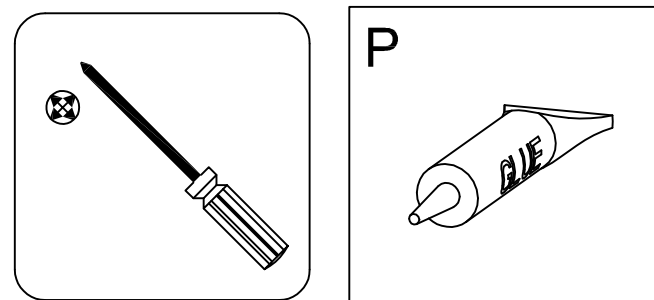
STEP.2- 02



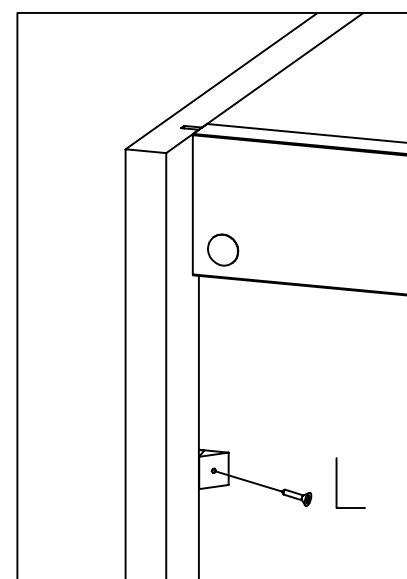
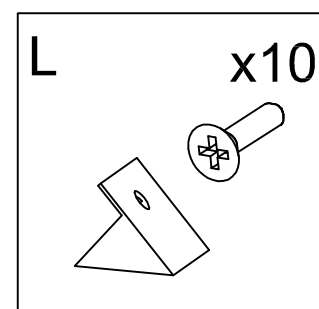
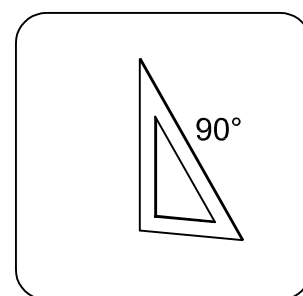
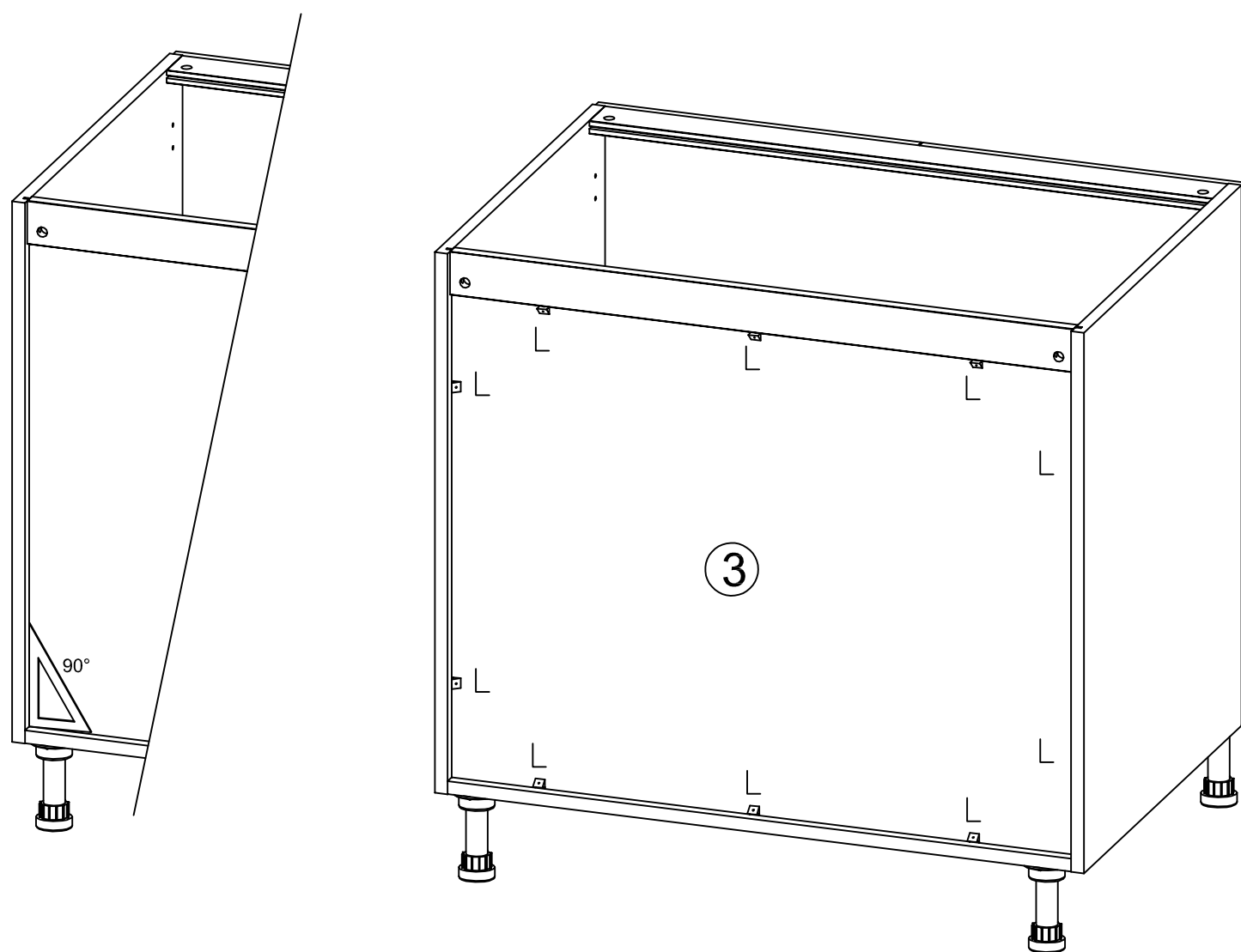
STEP.2- 03 X2



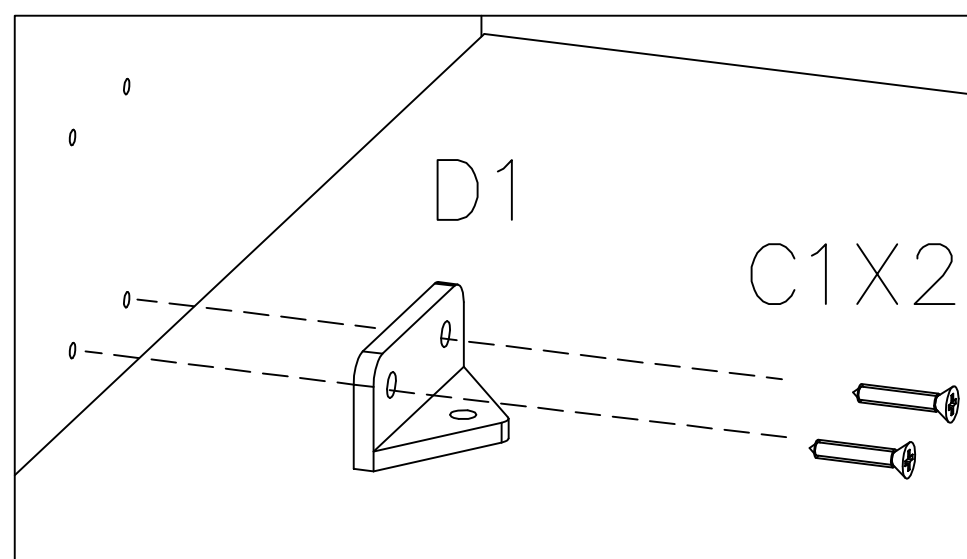
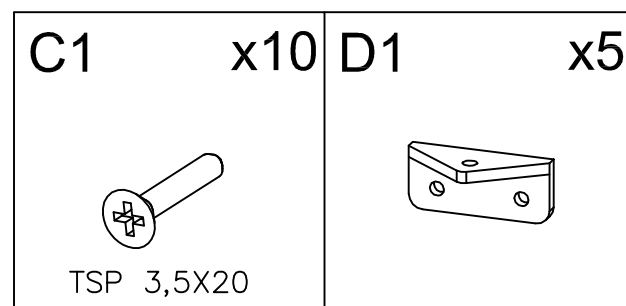
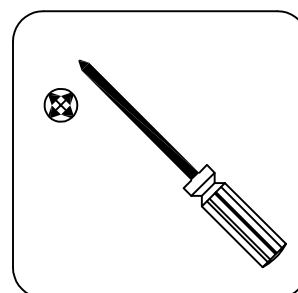
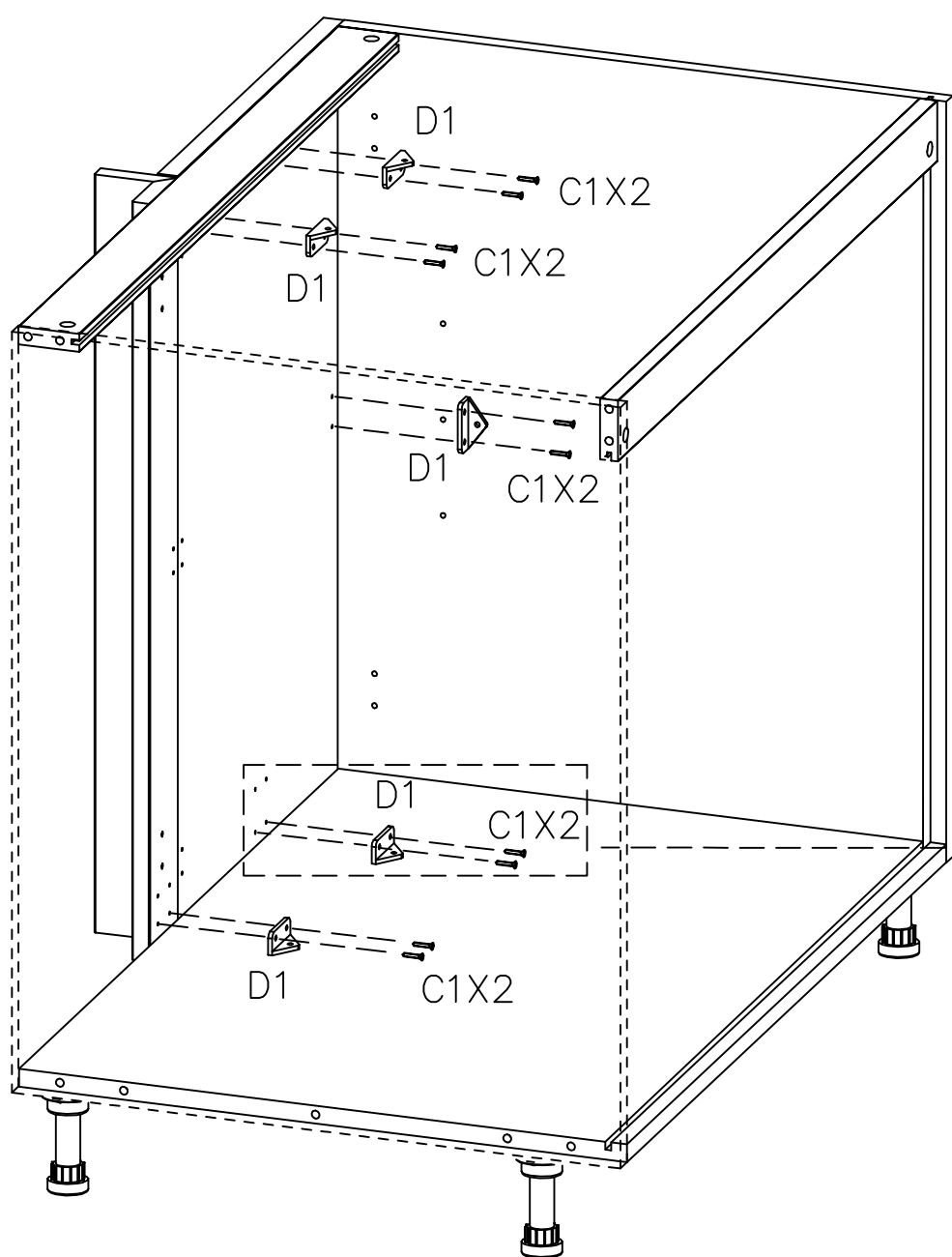
STEP.2- 04



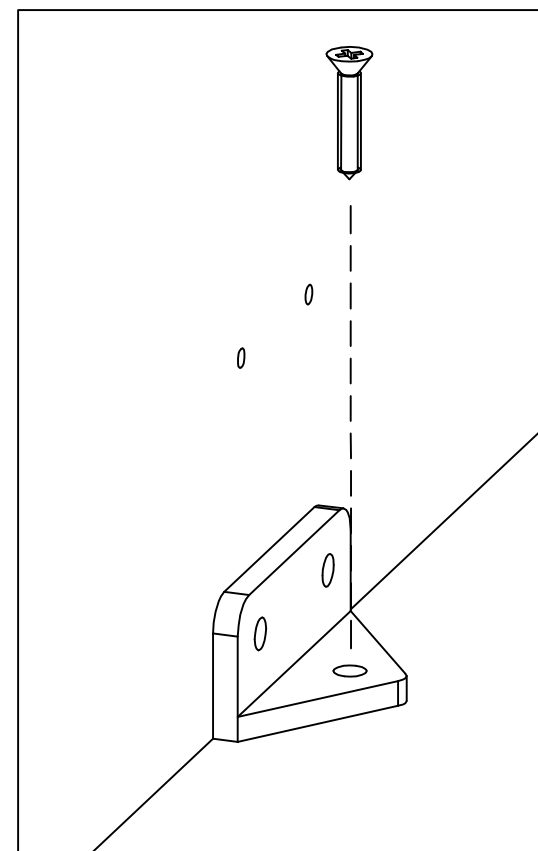
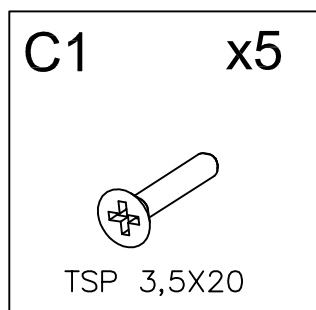
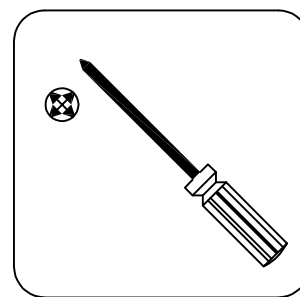
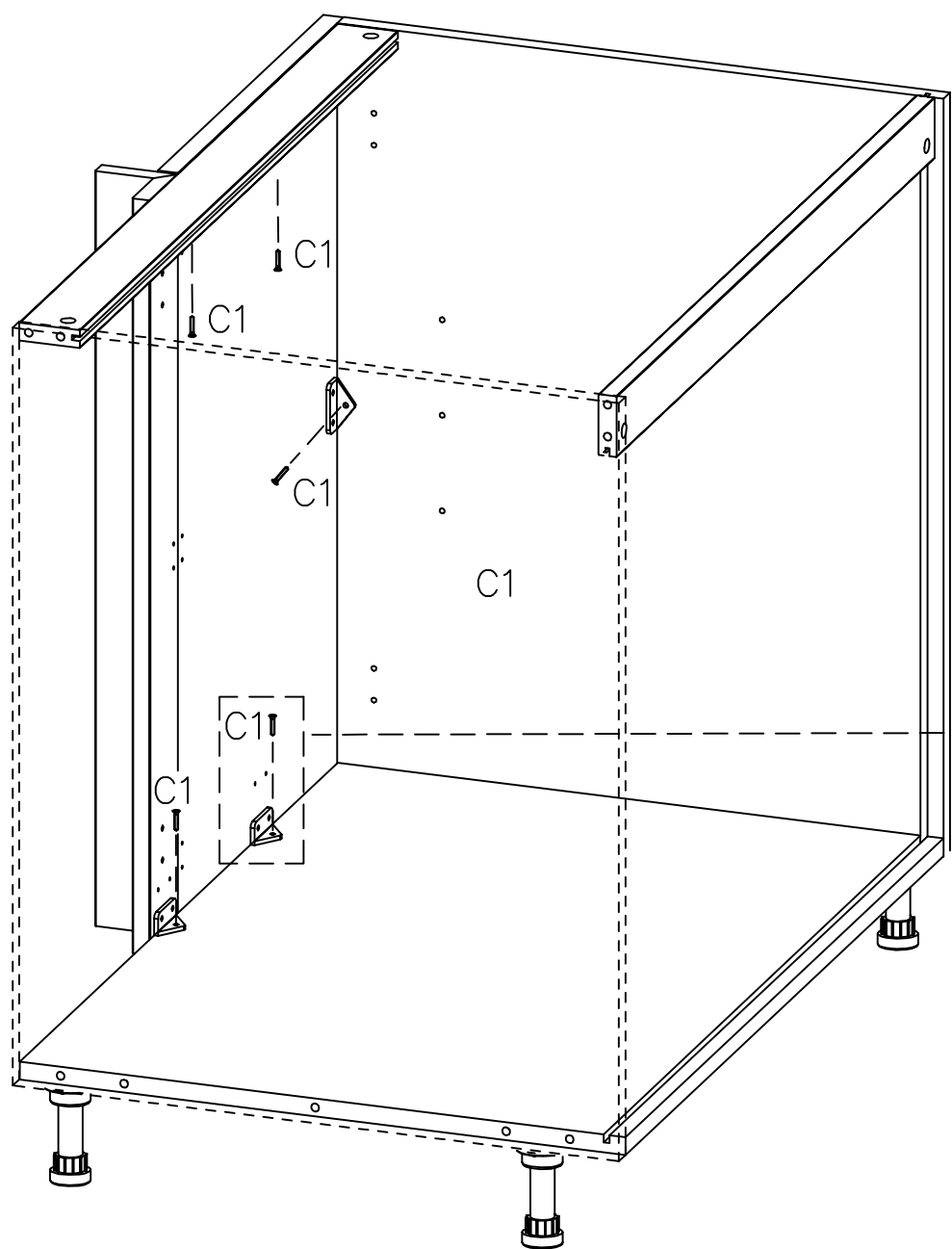
STEP.3- 01



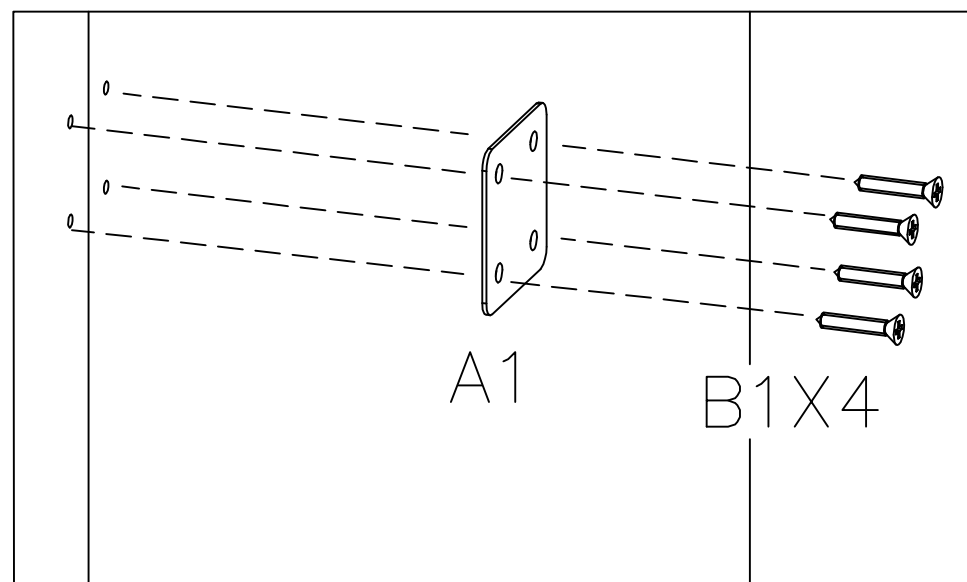
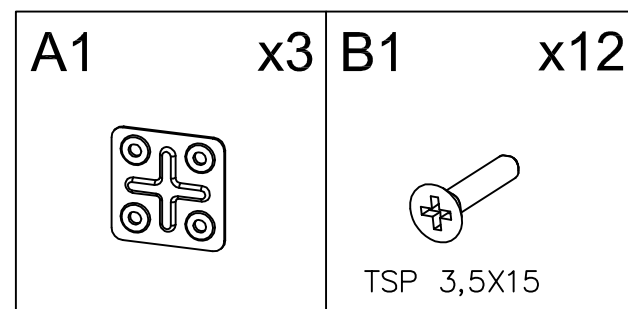
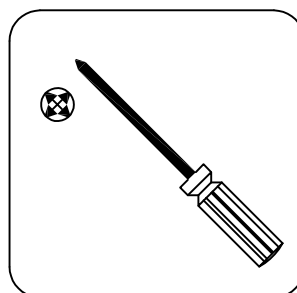
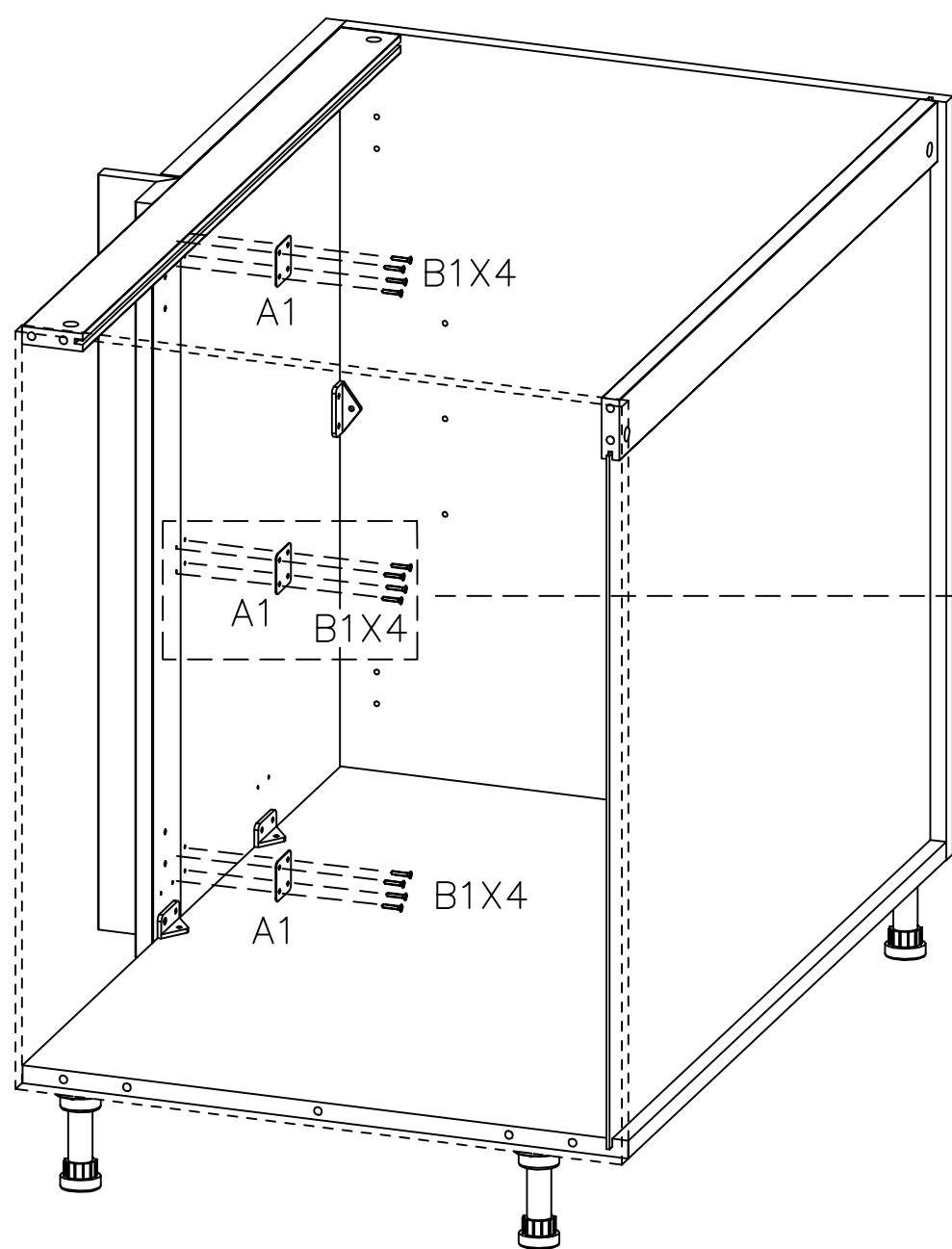
STEP.4- 01



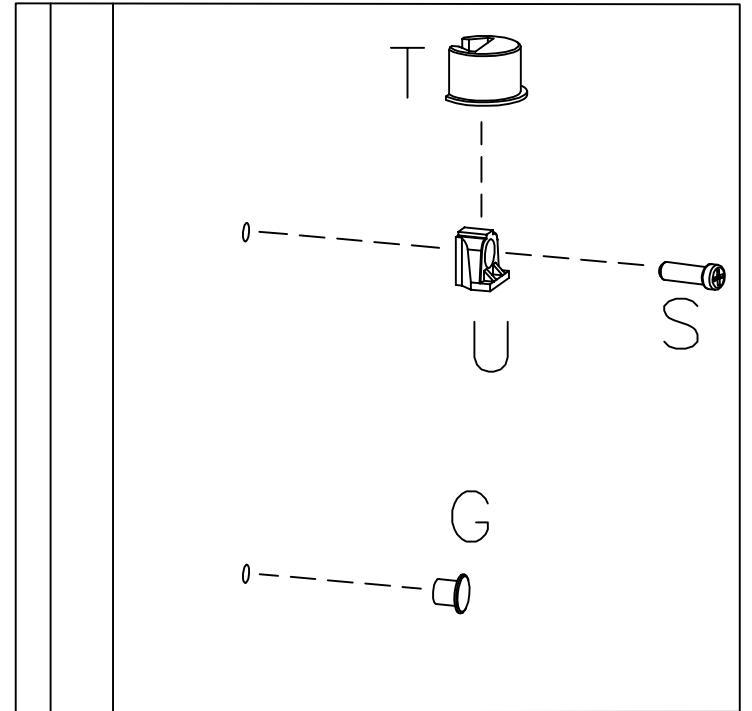
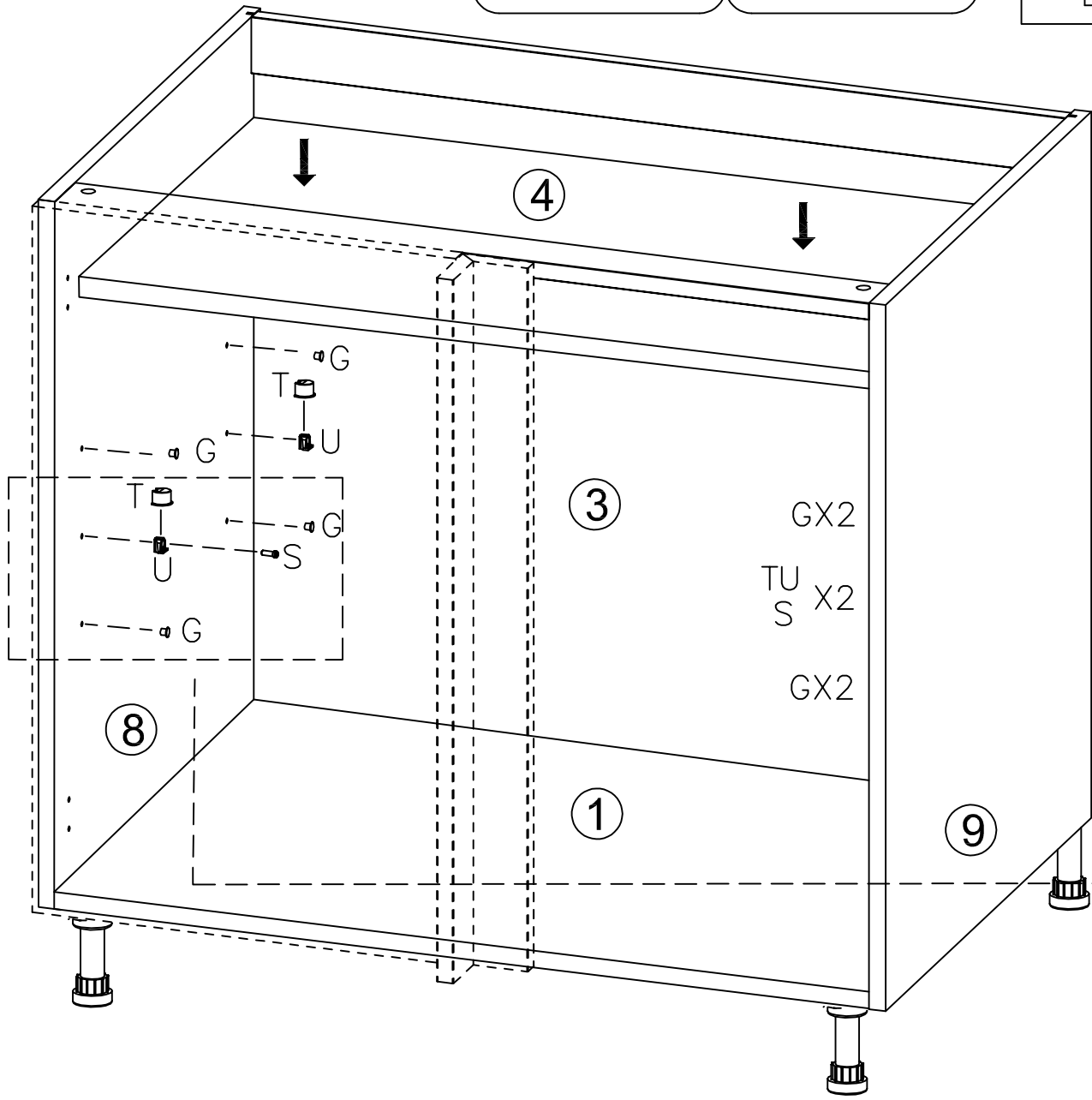
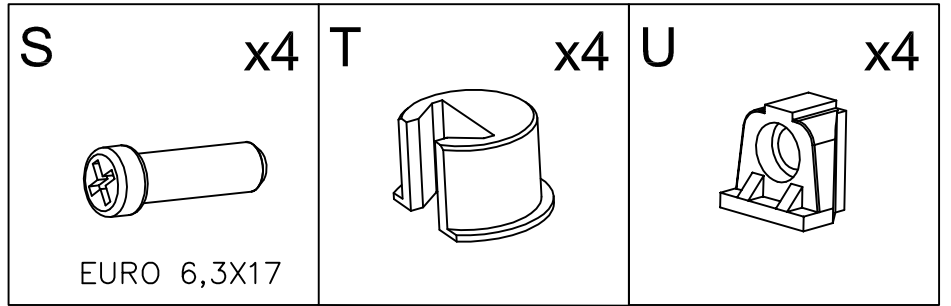
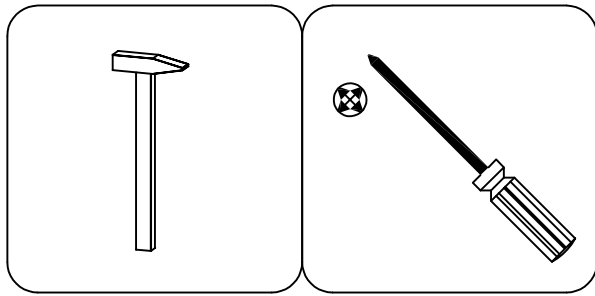
STEP.4- 02



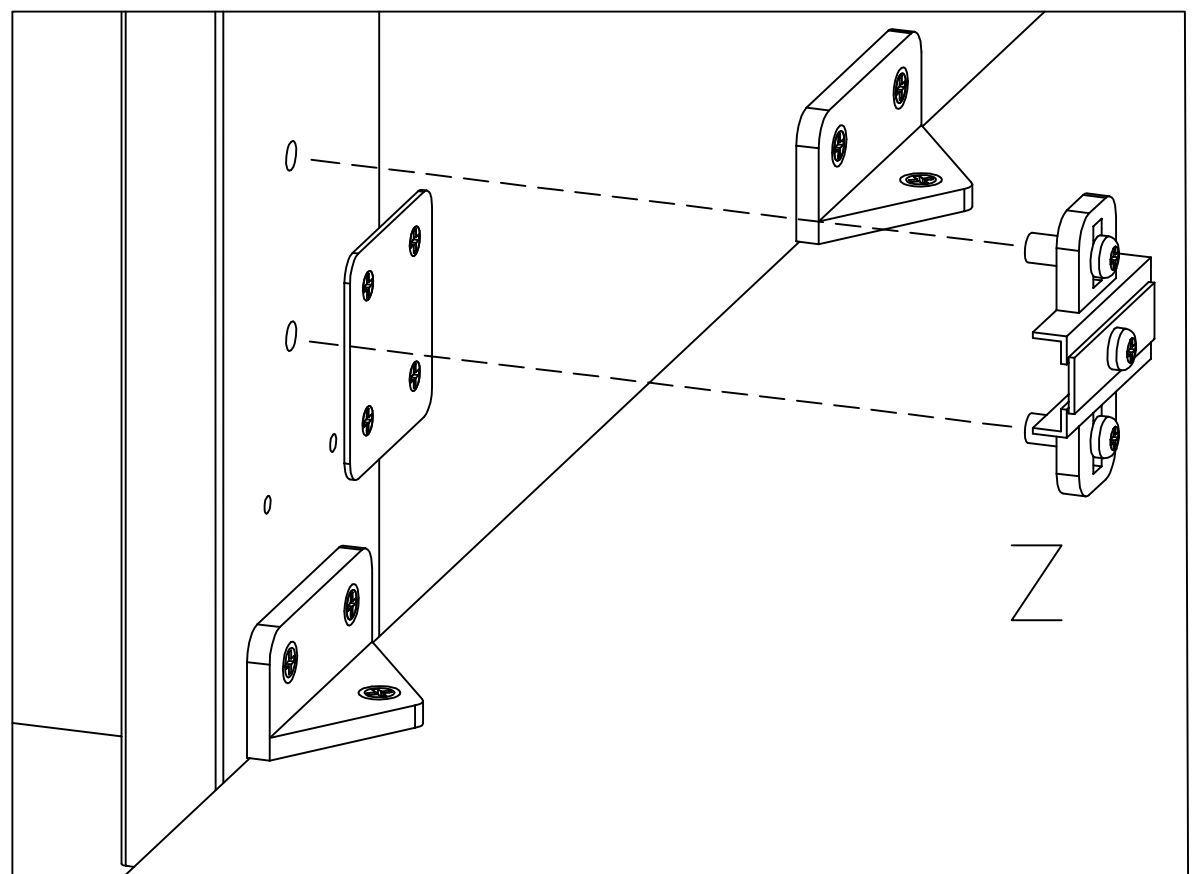
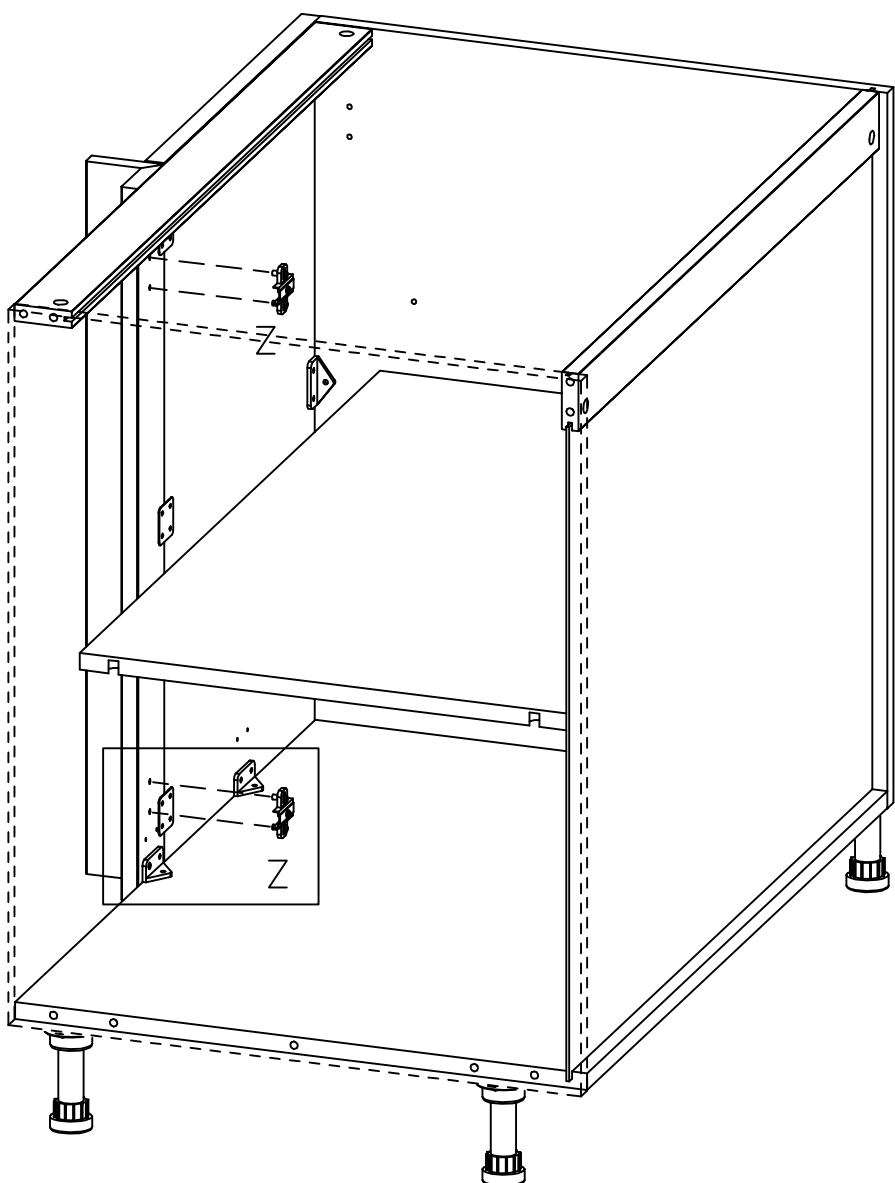
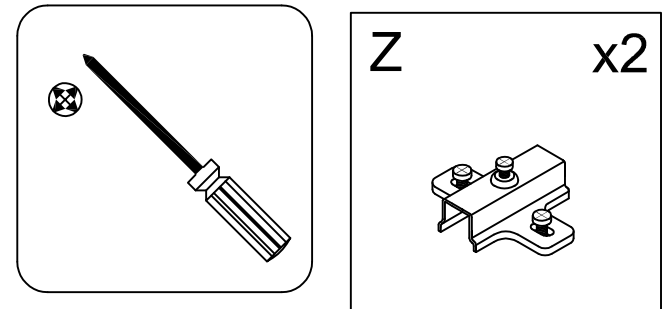
STEP.4- 03



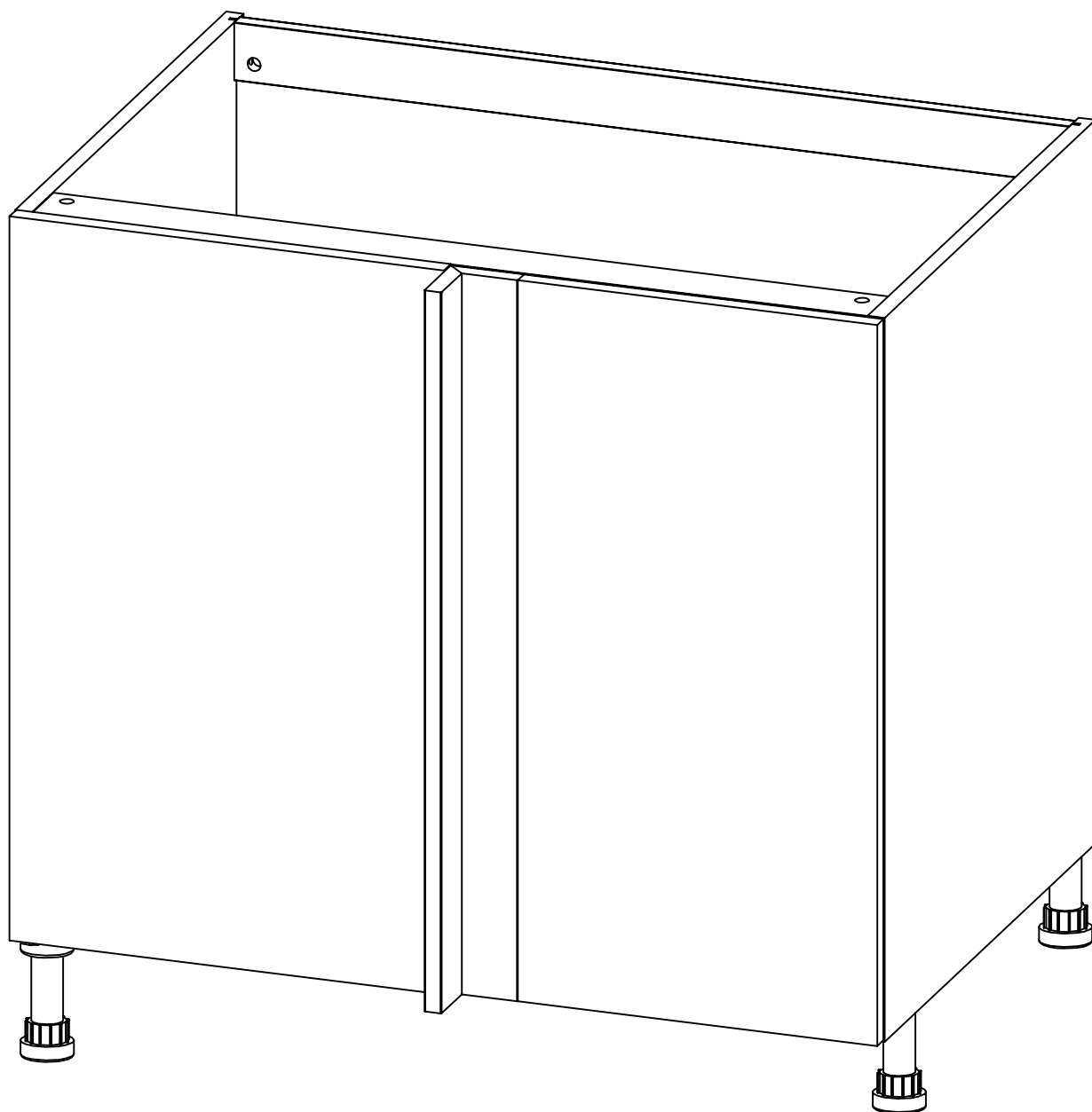
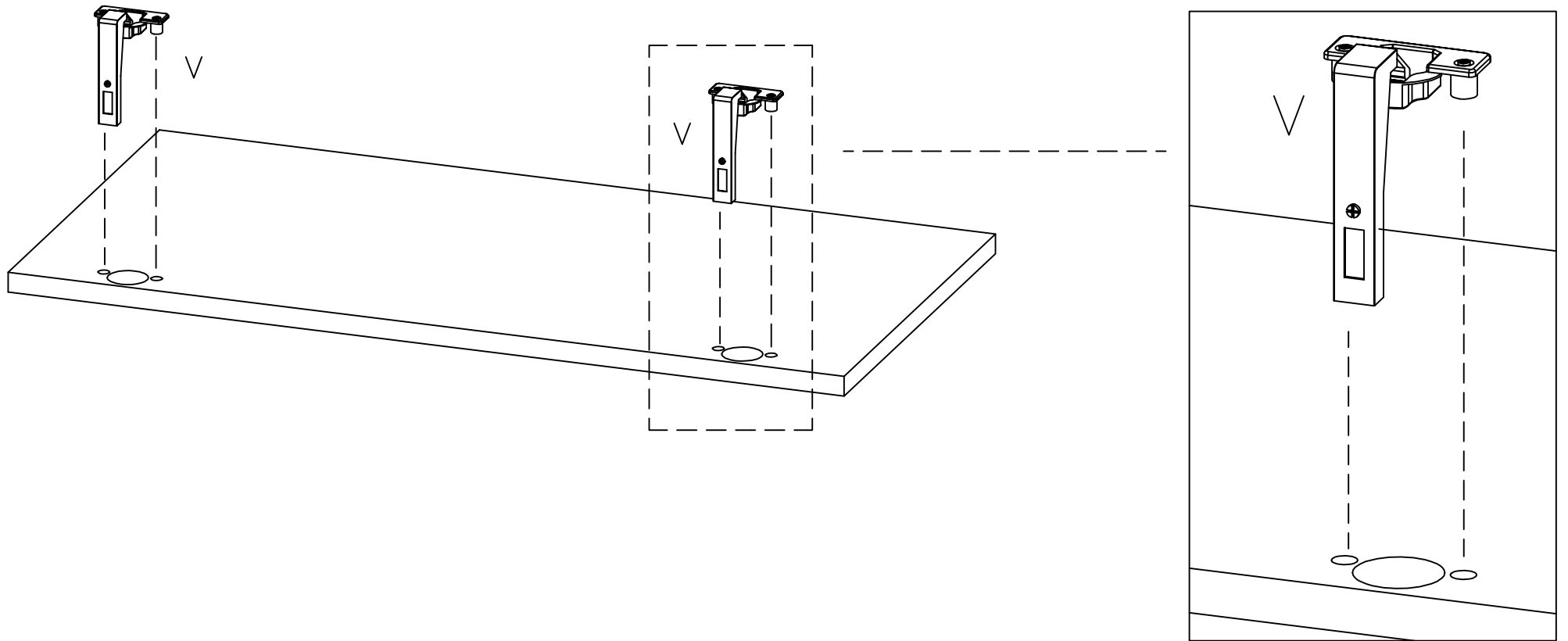
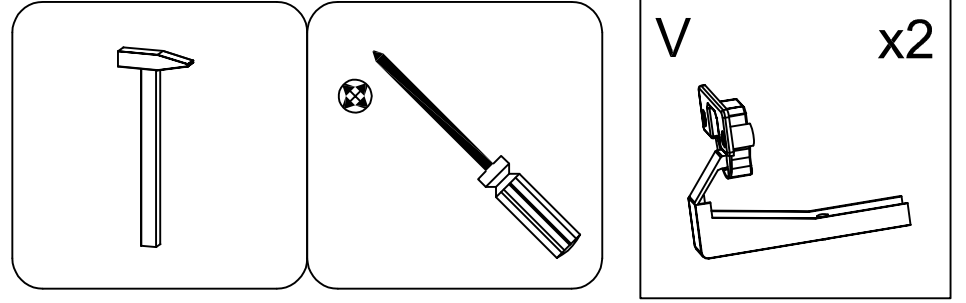
STEP.5- 01



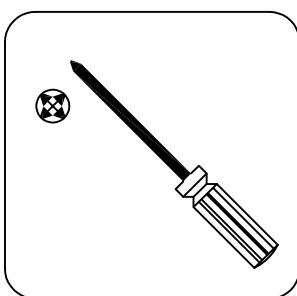
STEP.6- 01



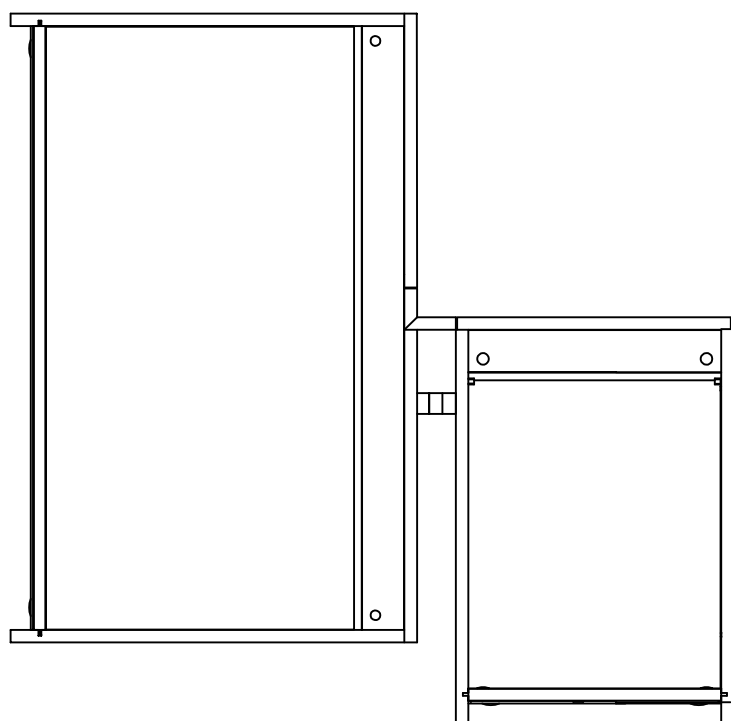
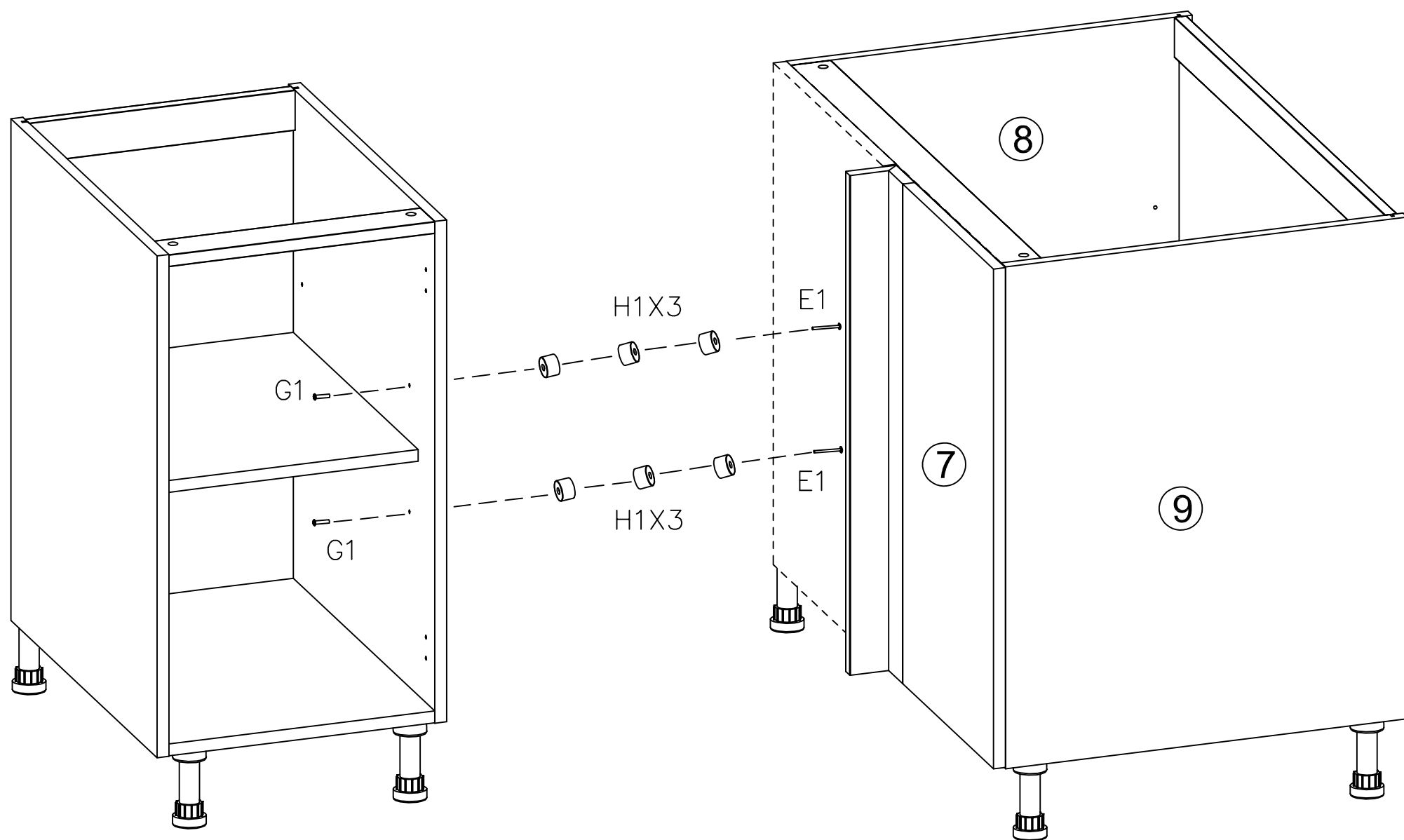
STEP.6- 02

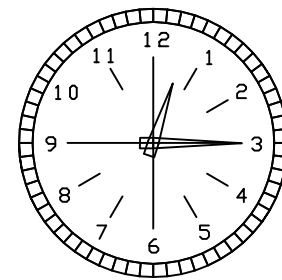
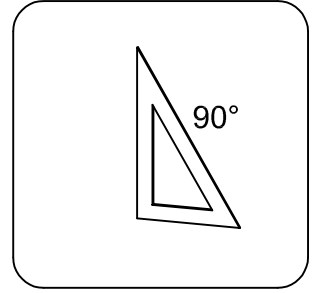
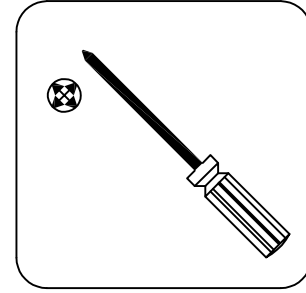
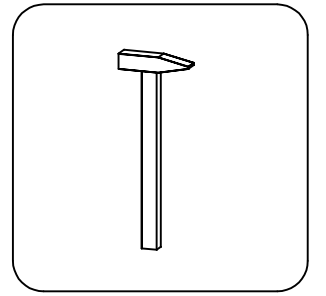
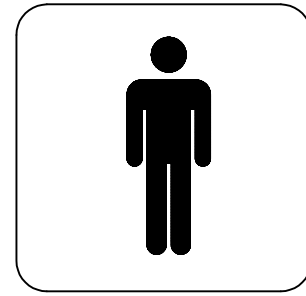
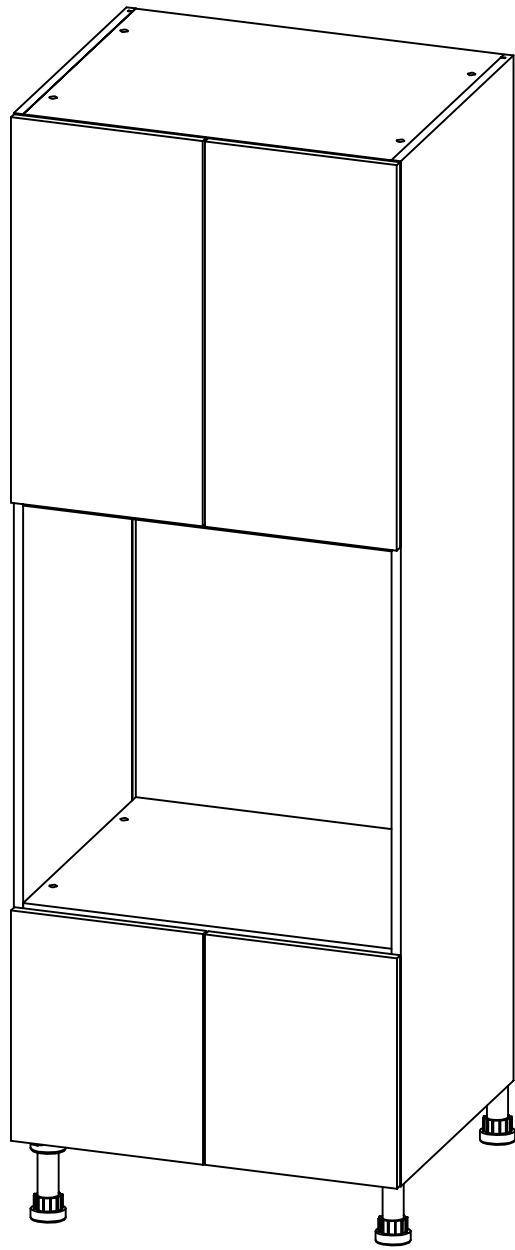


STEP.7- 01



E1	x2	G1	x2	H1	x6
TBL 4MAX70		TUB 4MAX35			





30'

STEP.1_F712000001			
8060000411		8060000412	
Q	x4	R	x4

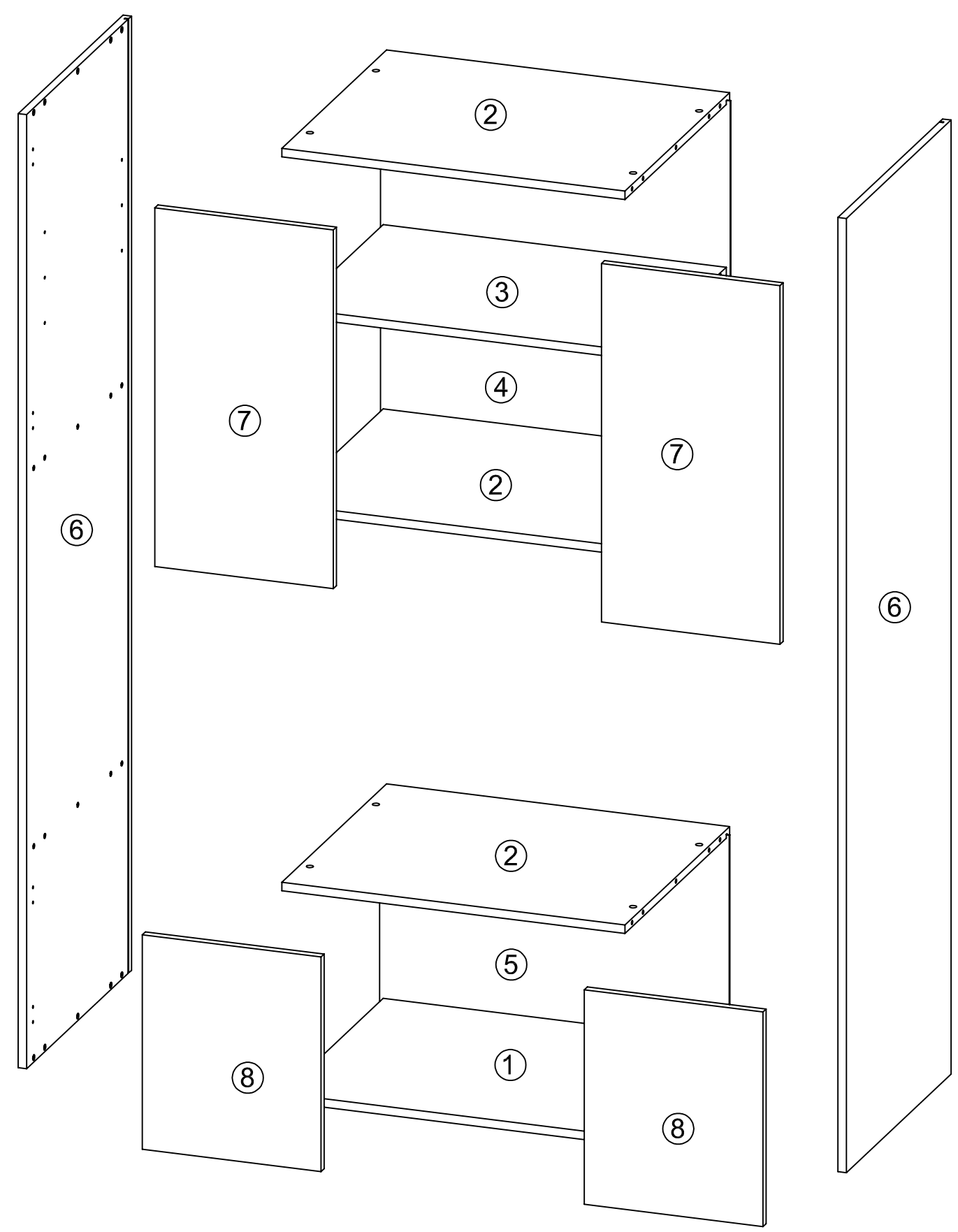
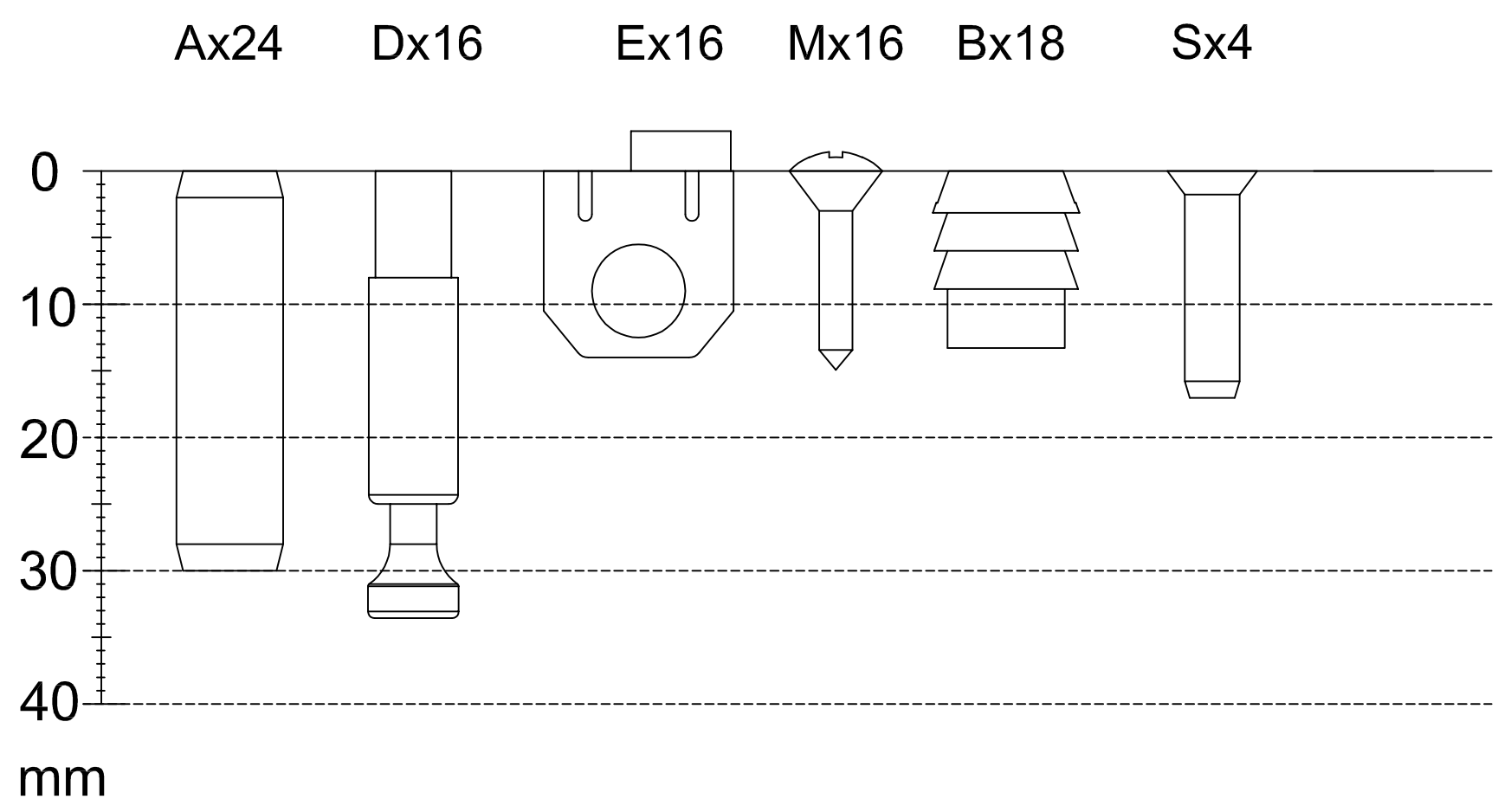
STEP.5_H000000140			
8040001375		8040001376	
V	x8	Z	x8

FN00000015K				
STEP.2_FN00000015A				
8140000013	8060000880	8060000439	8040001145	8040001144
A	B	C	D	E
x24	x18	x16	x16	x16

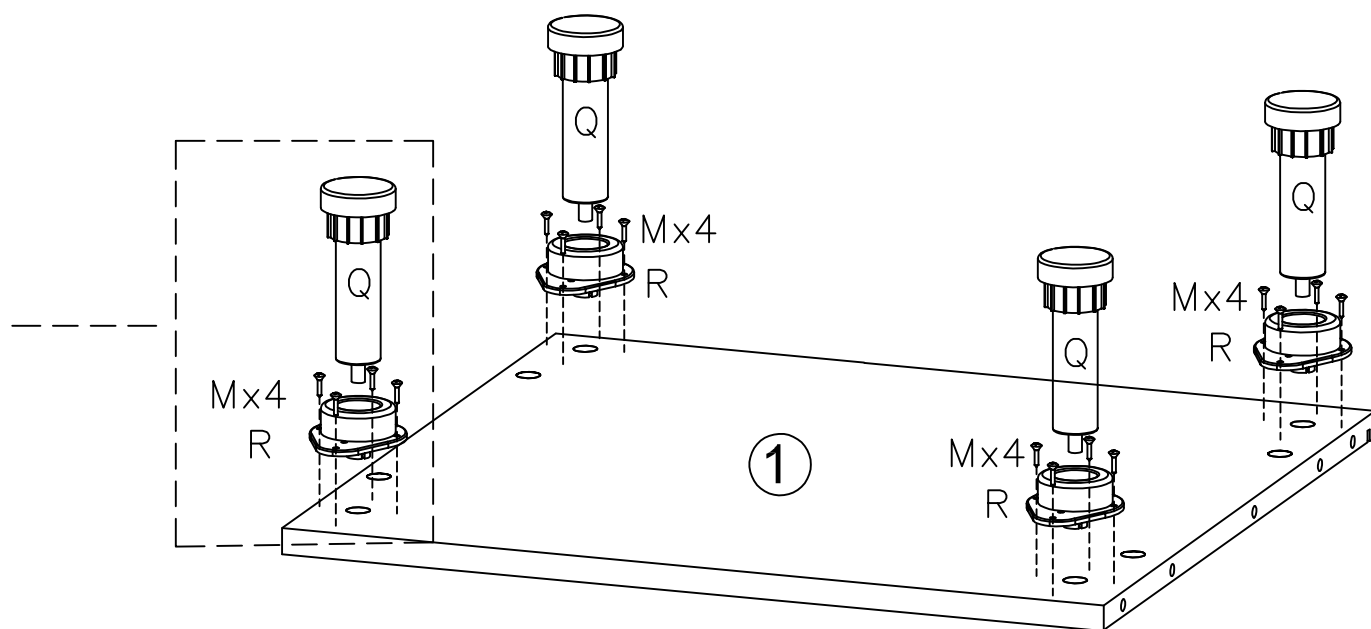
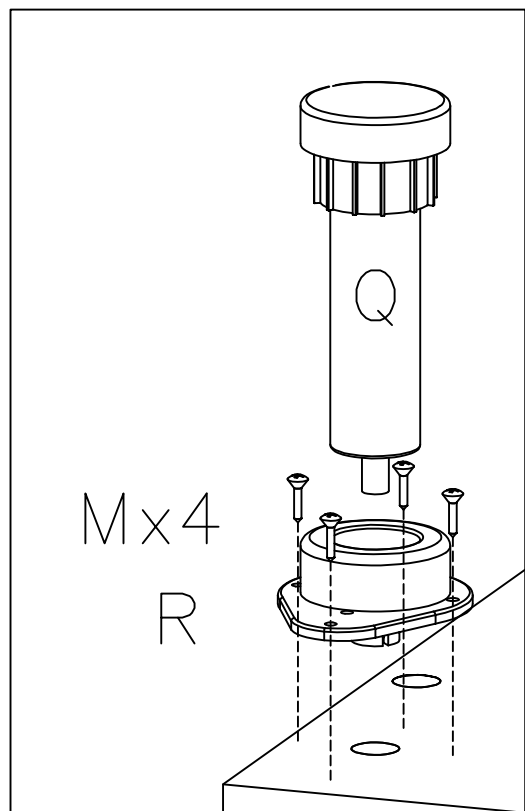
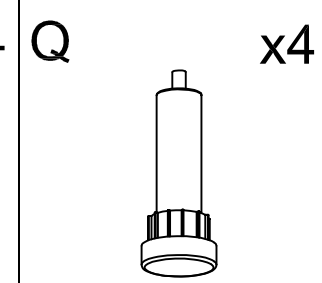
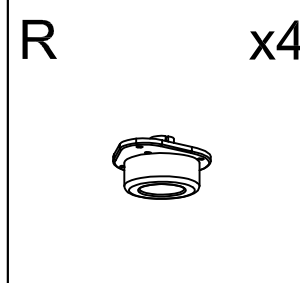
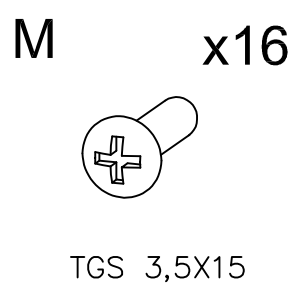
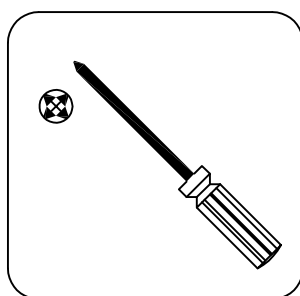
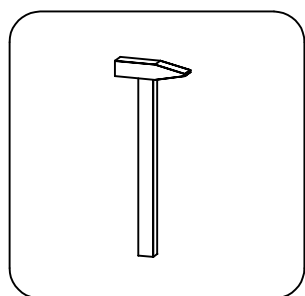
8230300014
P
x1

STEP.3_FN00000015B		
8040000762	8060000156	8040000005
L	G	M
x10	x8	x16
		TGS 3,5X15

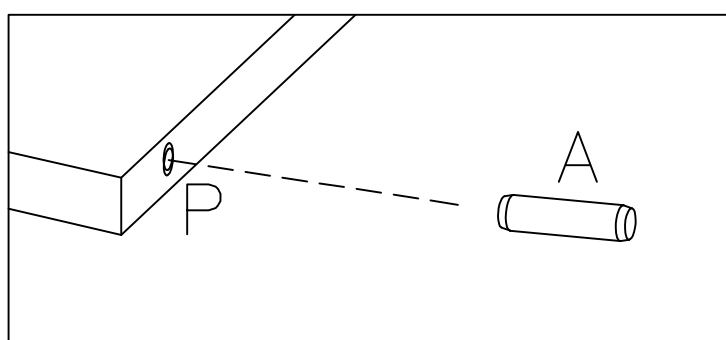
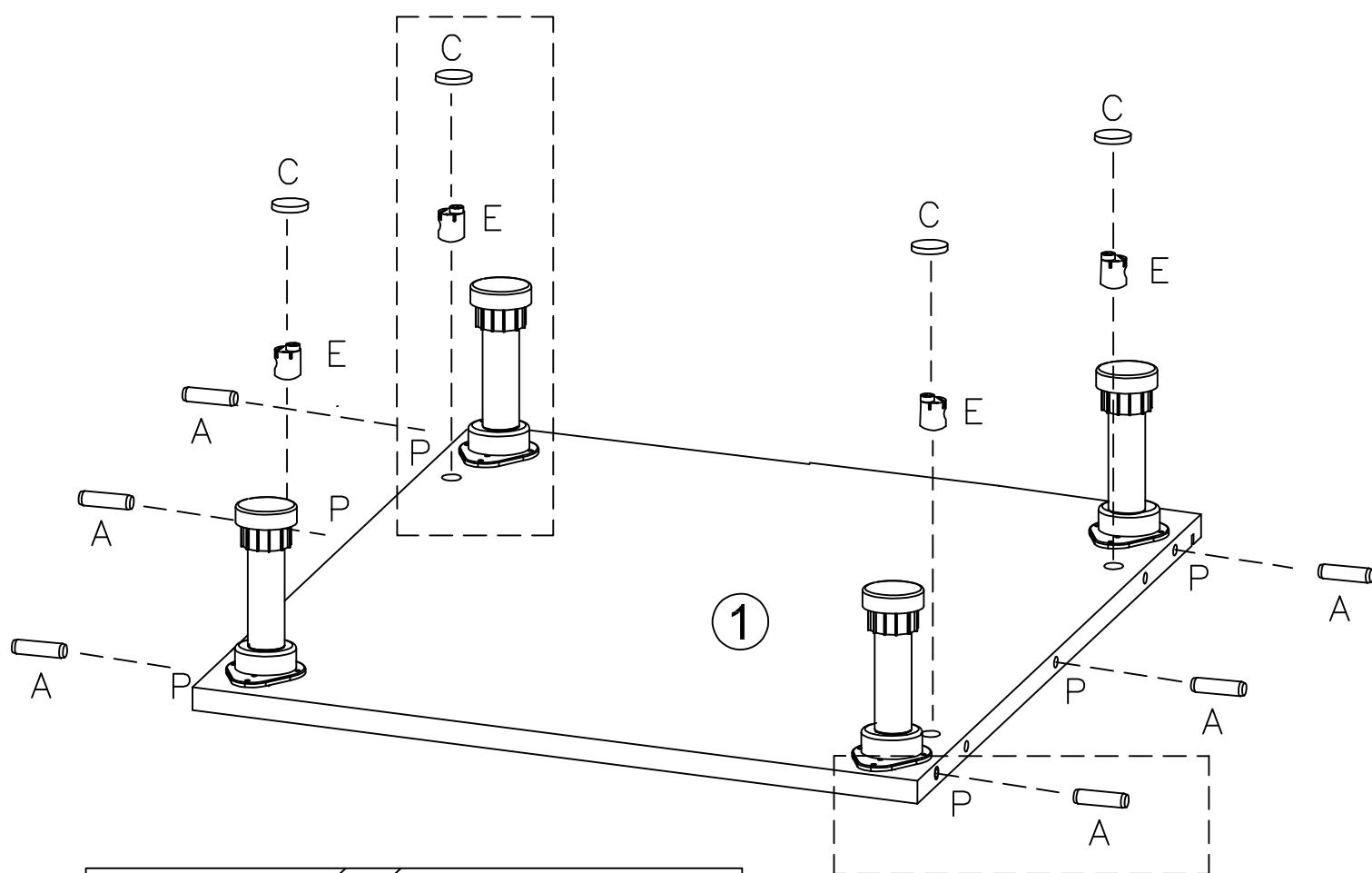
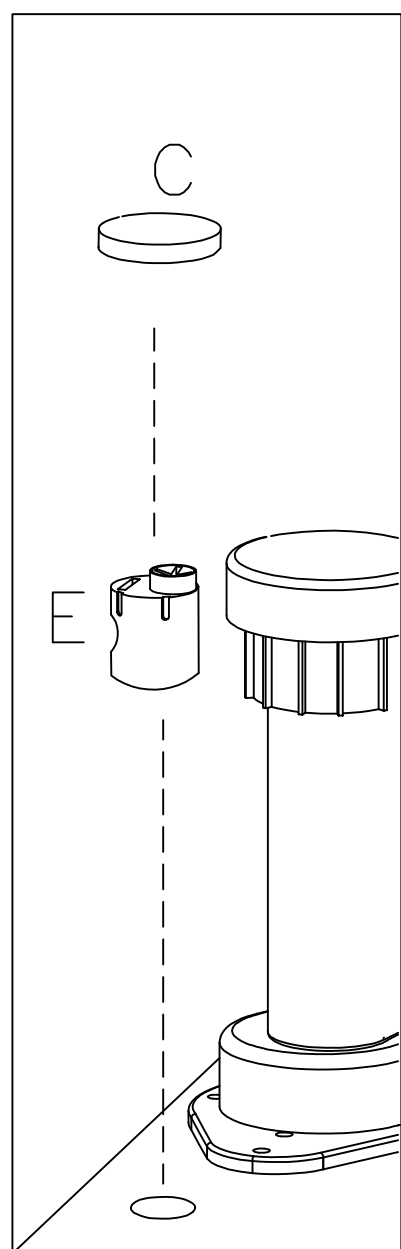
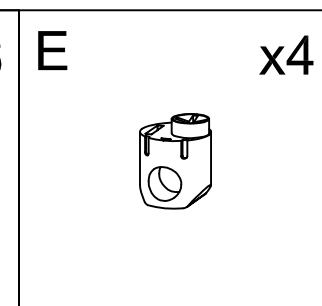
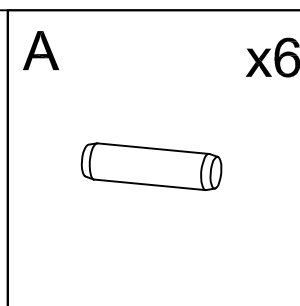
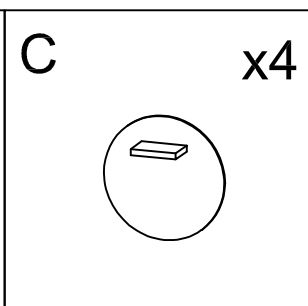
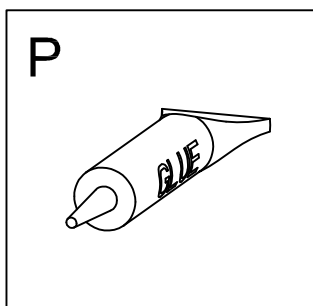
STEP.4_FN00000015C		
8040000392	8040002001	8040002002
S	T	U
x4	x4	x4
EURO 6,3X17		



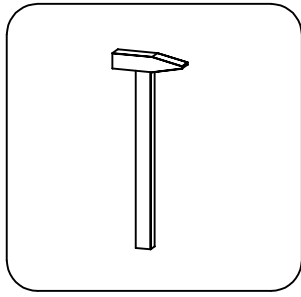
STEP.1- 01



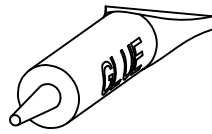
STEP.2- 01



STEP.2- 02 x3

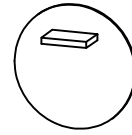


P



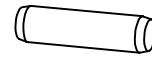
C

x4



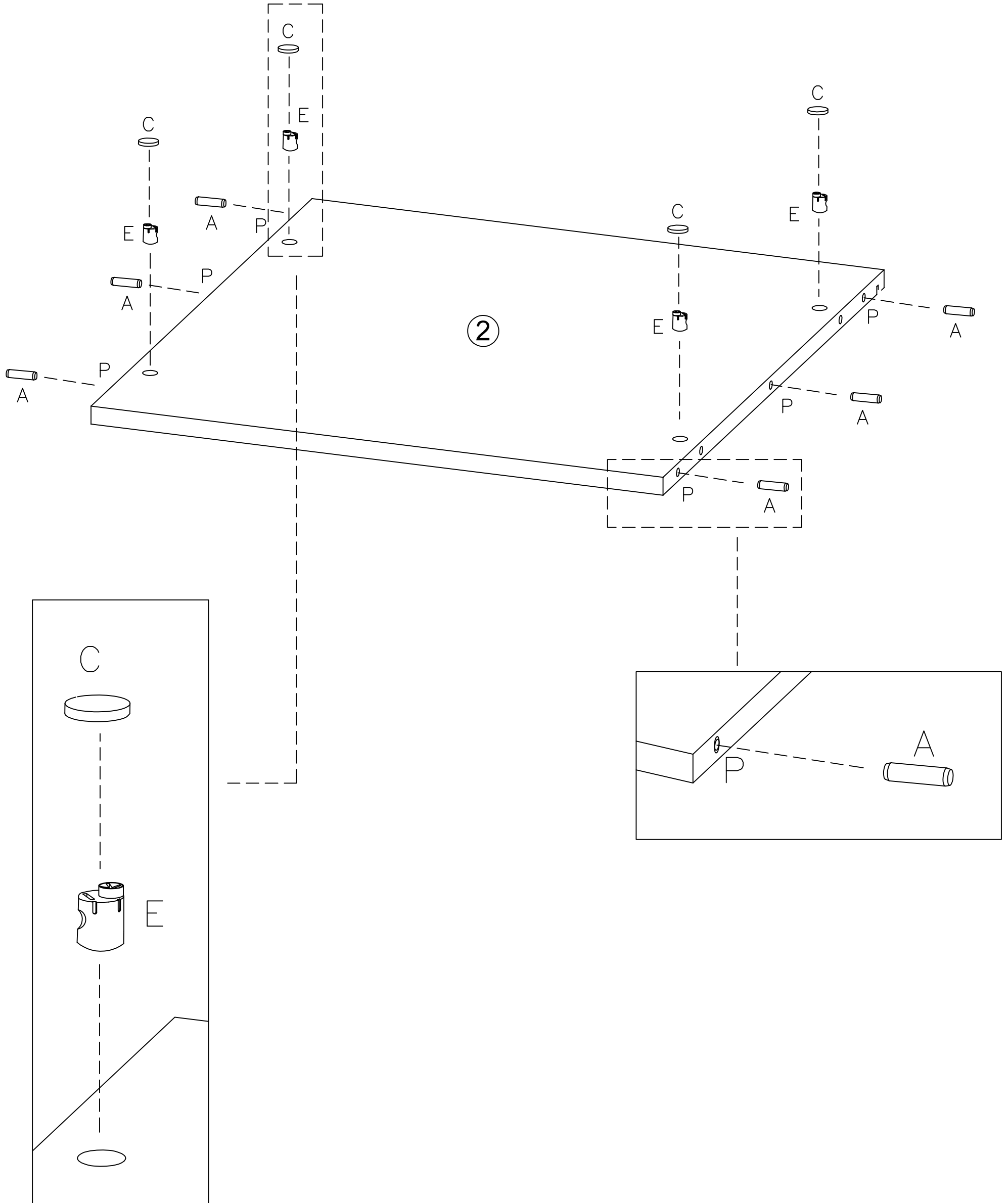
A

x6

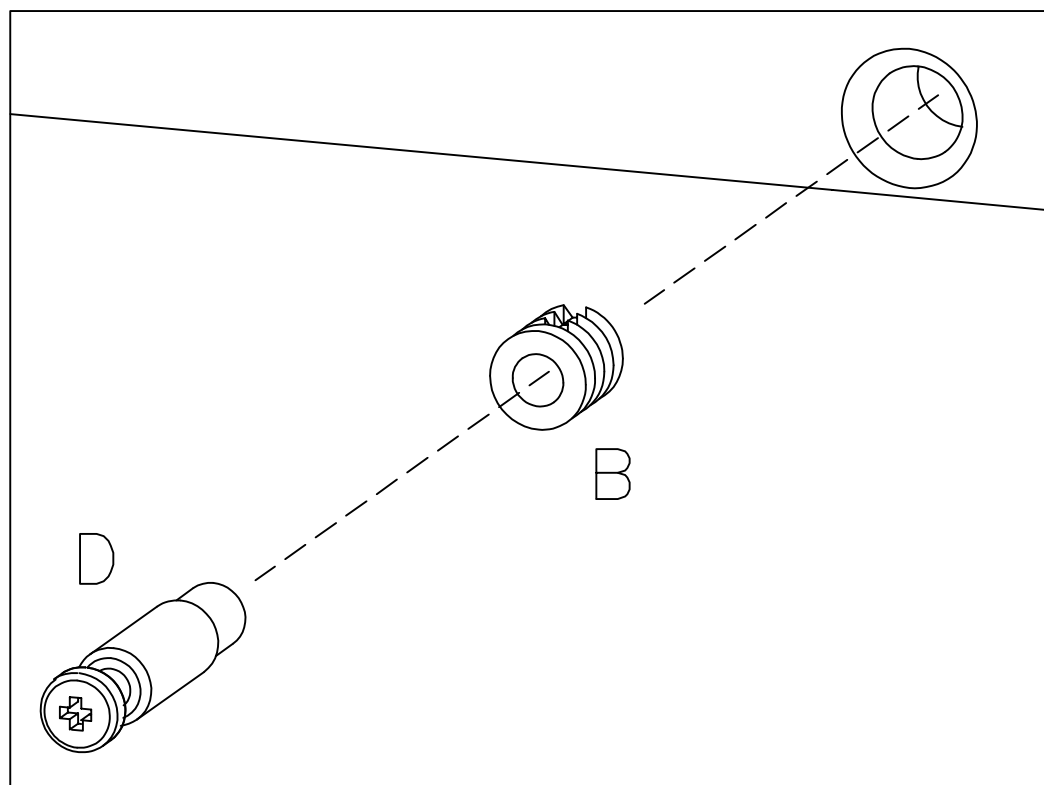
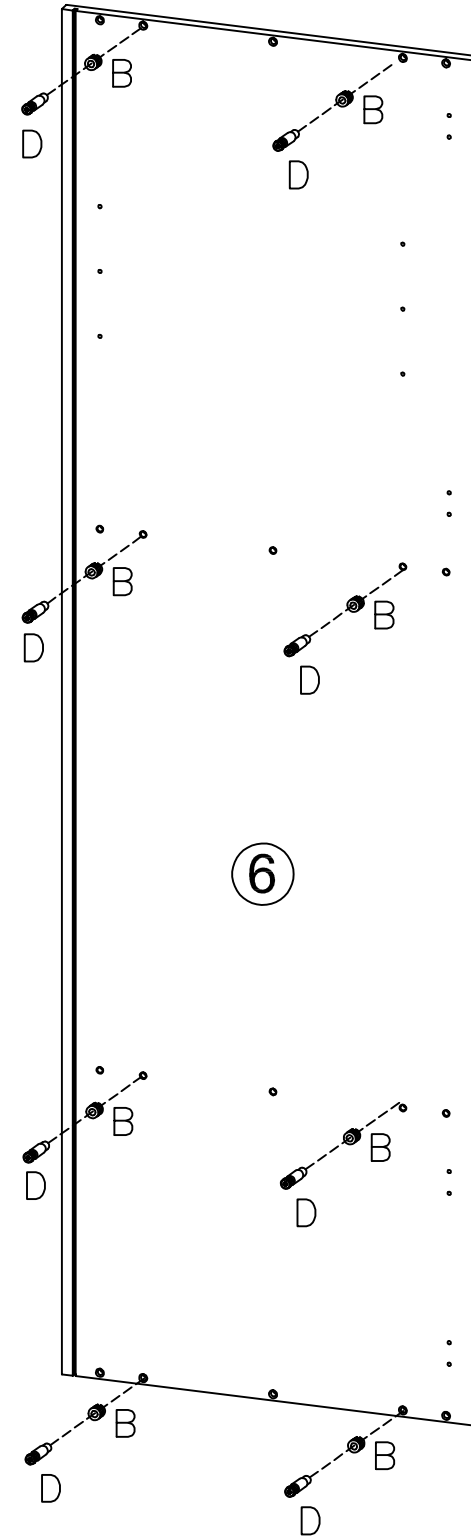
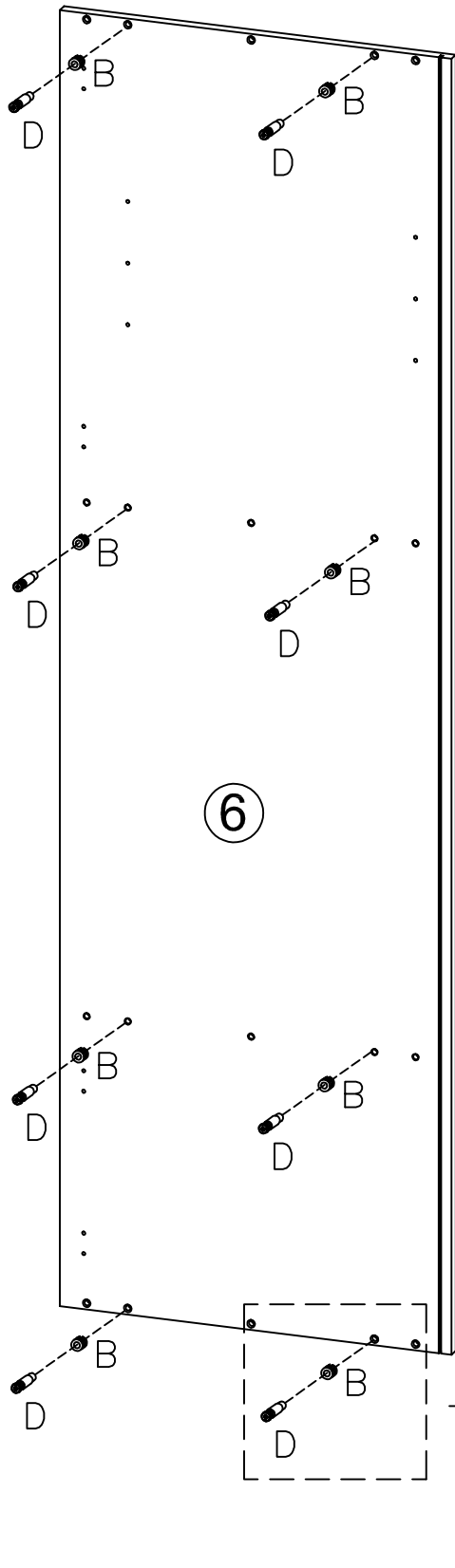
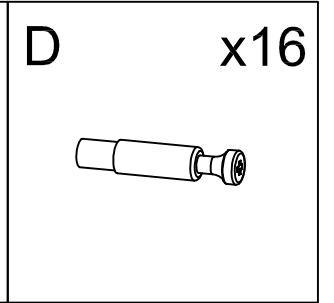
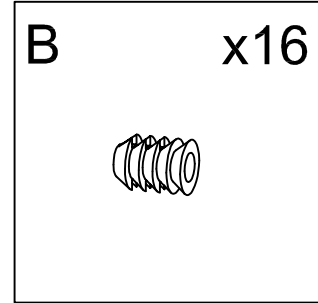
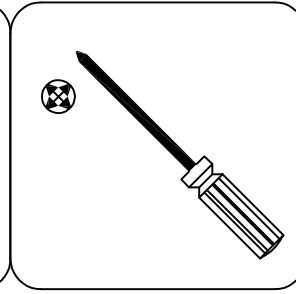
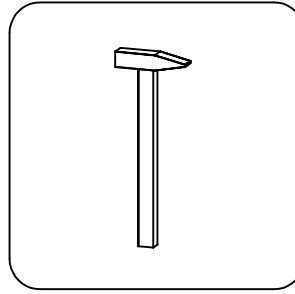


E

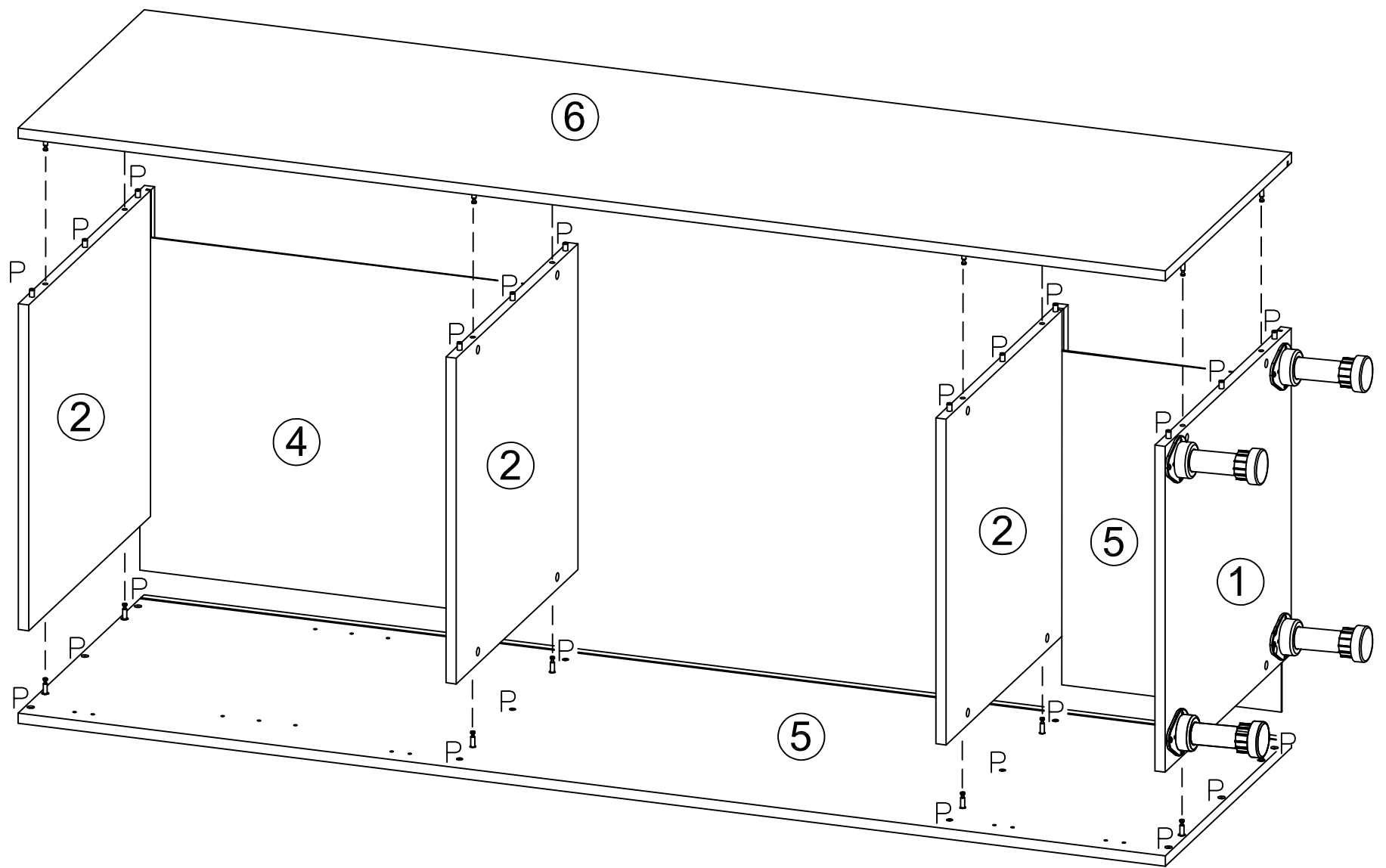
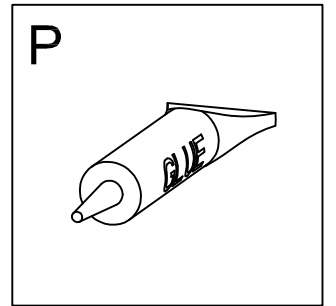
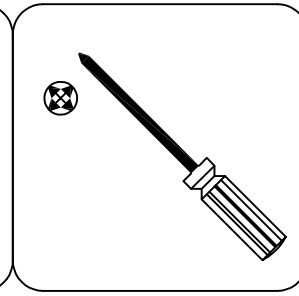
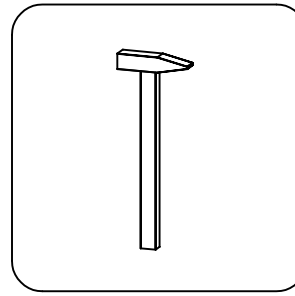
x4



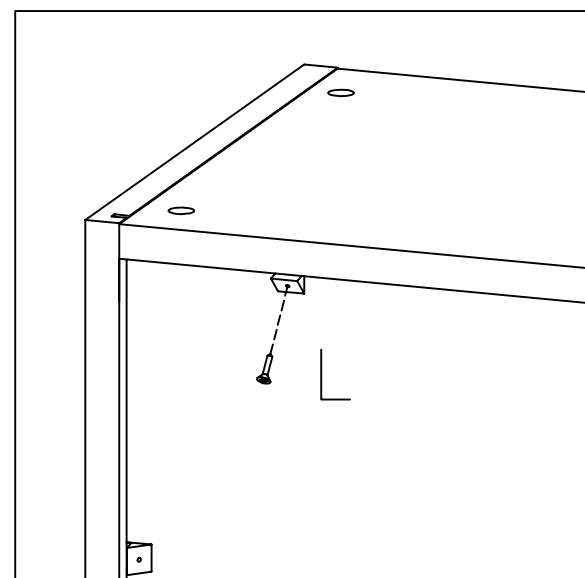
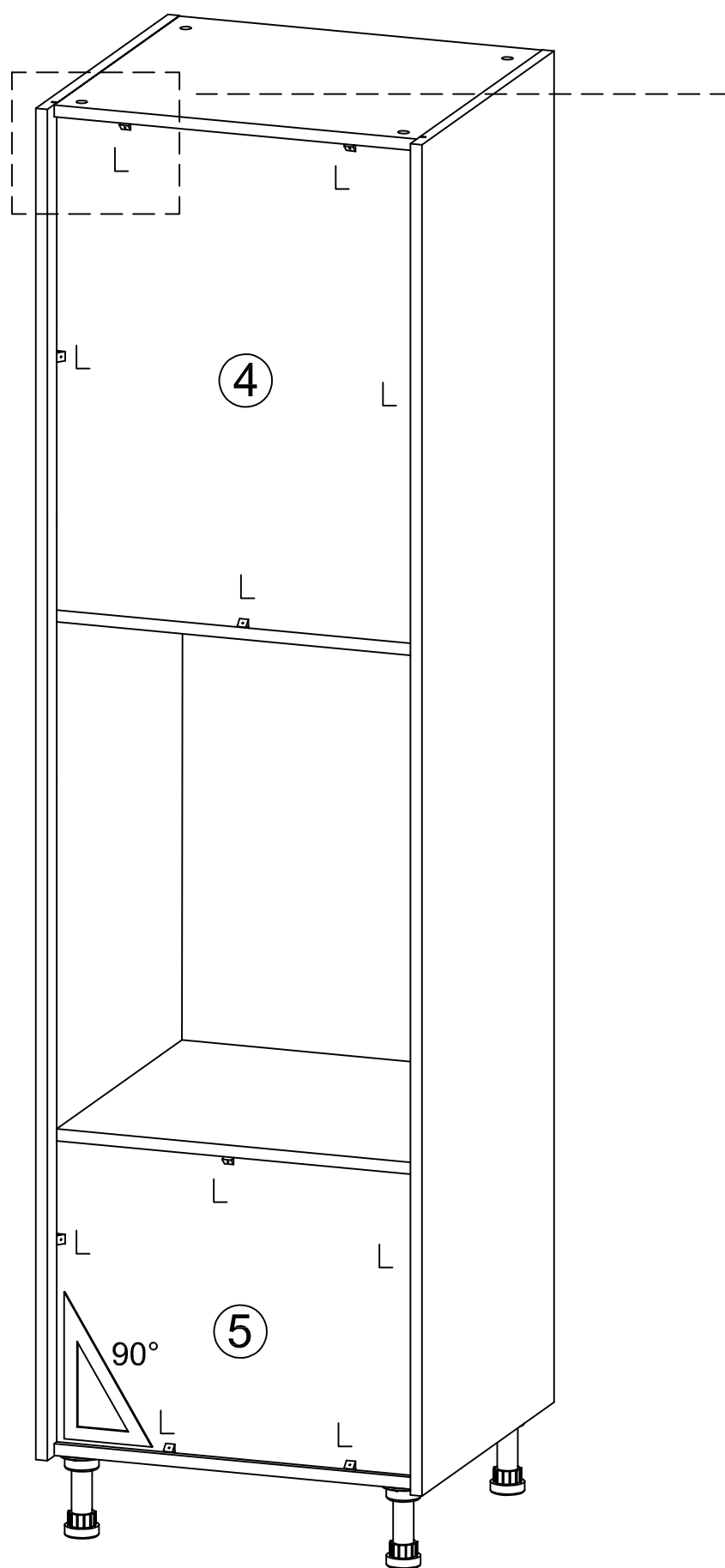
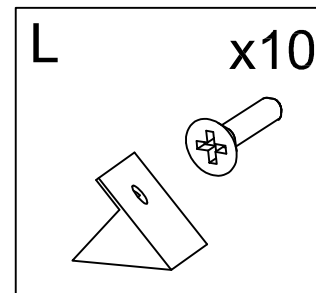
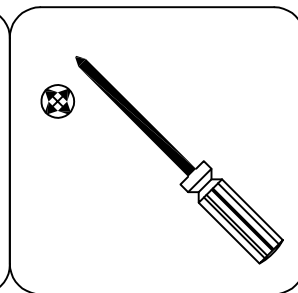
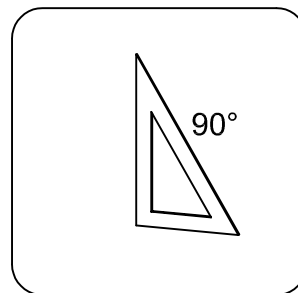
STEP.2- 03



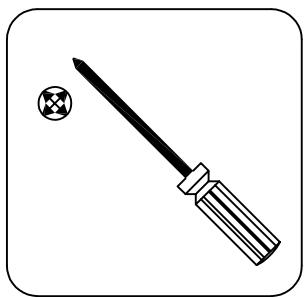
STEP.2- 04


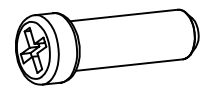
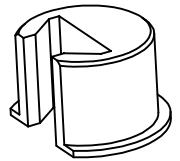
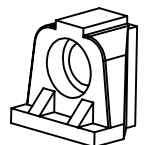


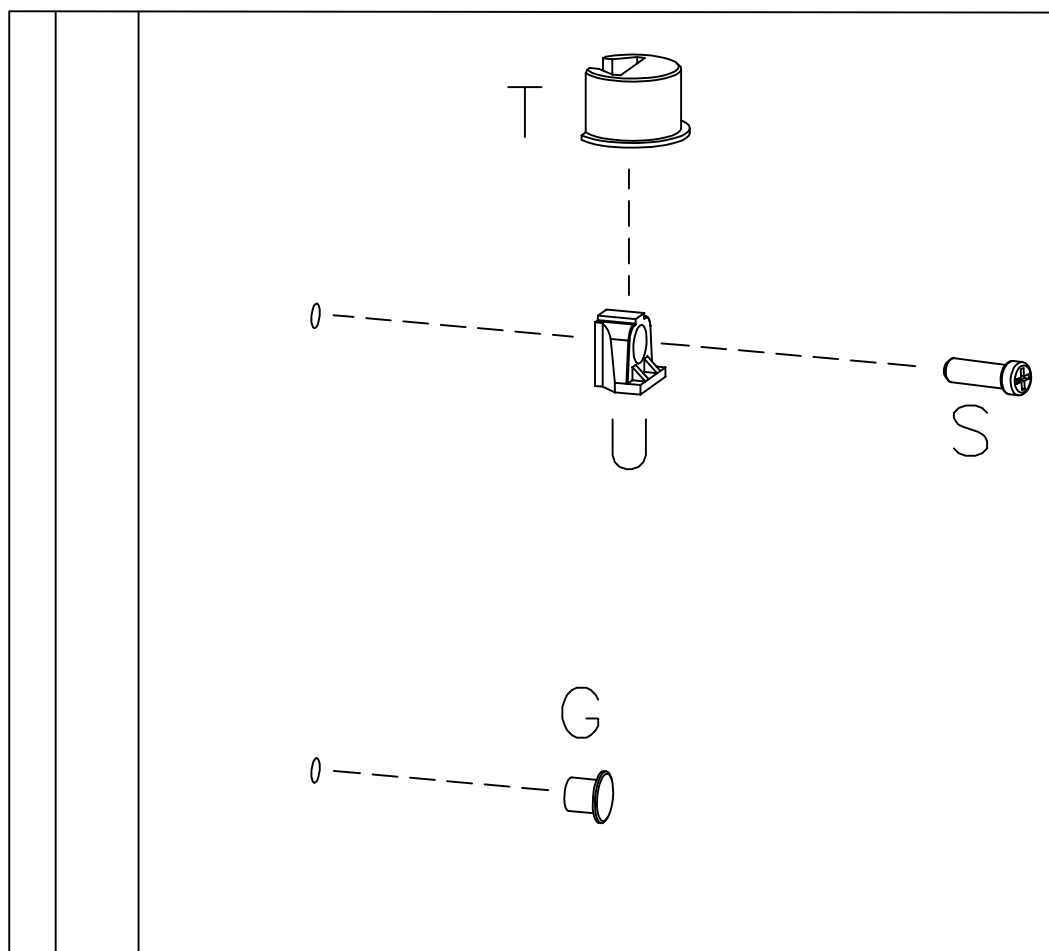
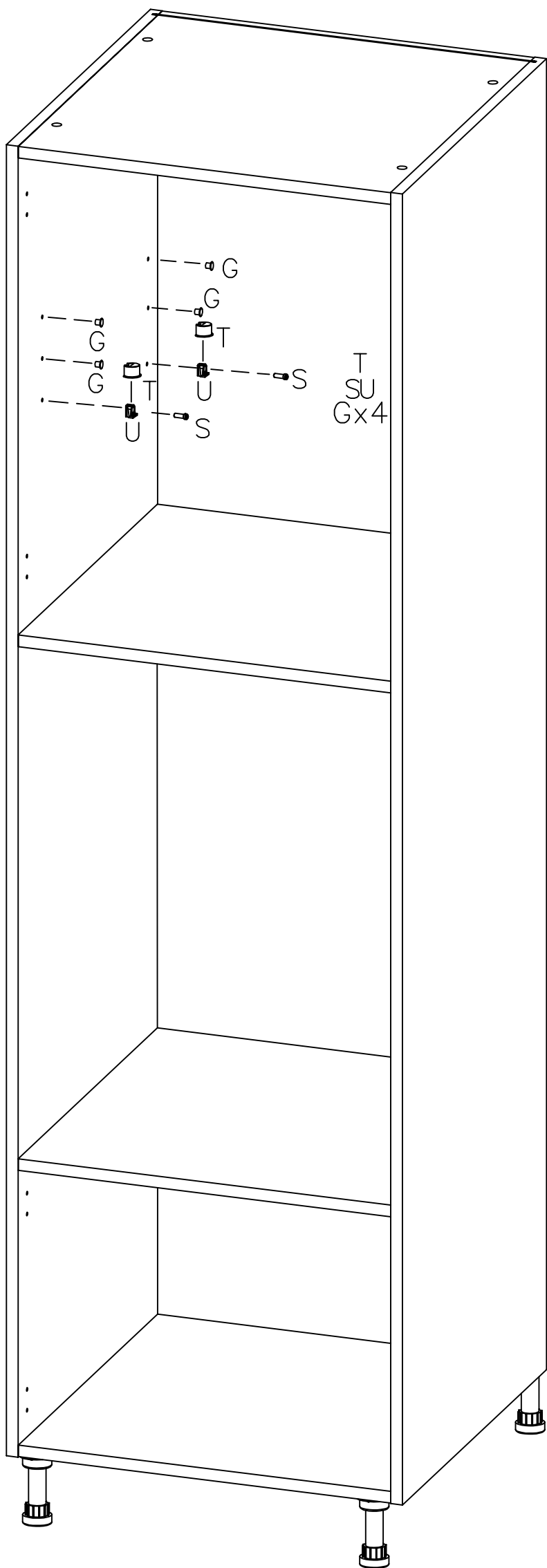
STEP.3- 01



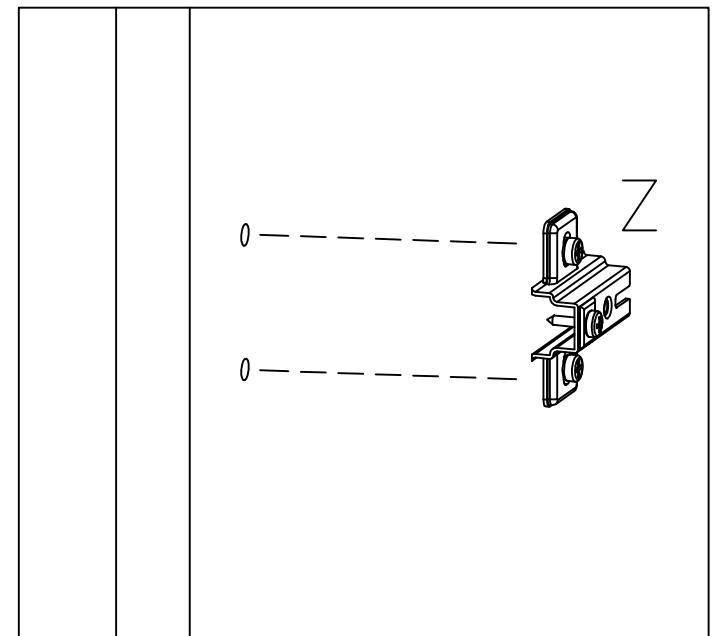
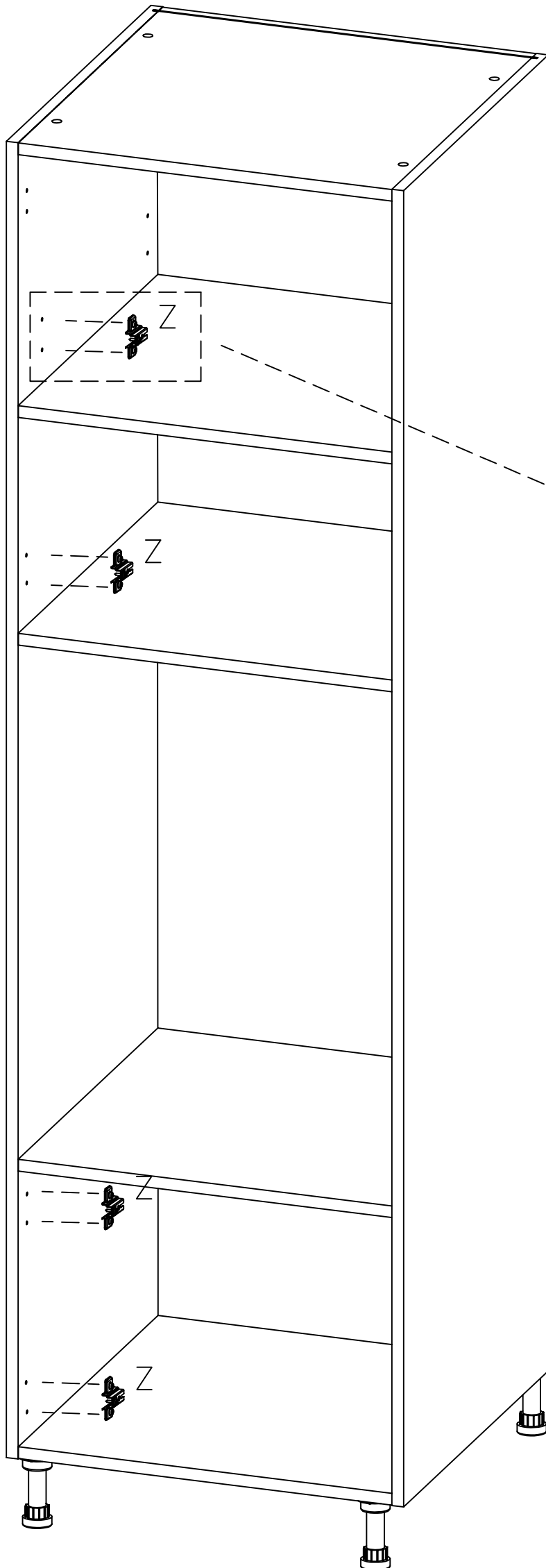
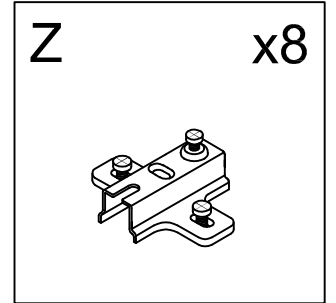
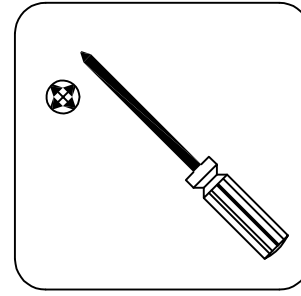
STEP.4- 01



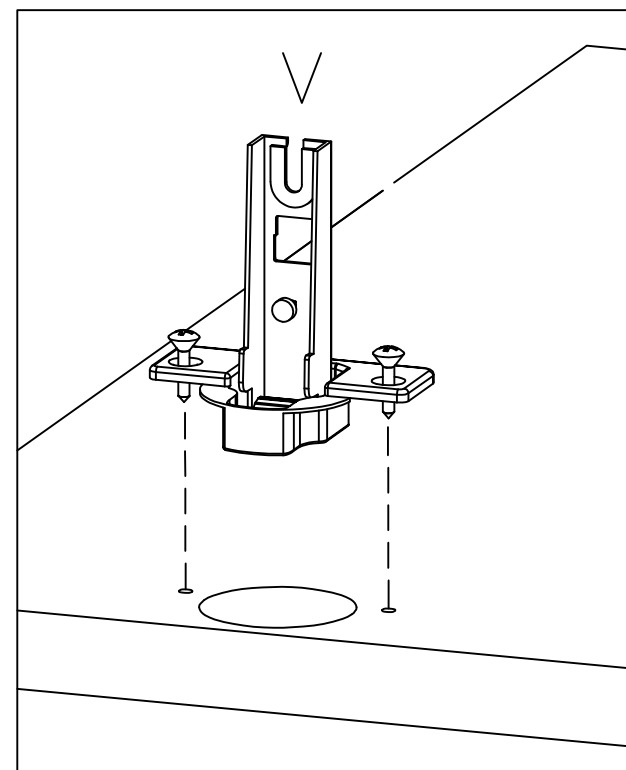
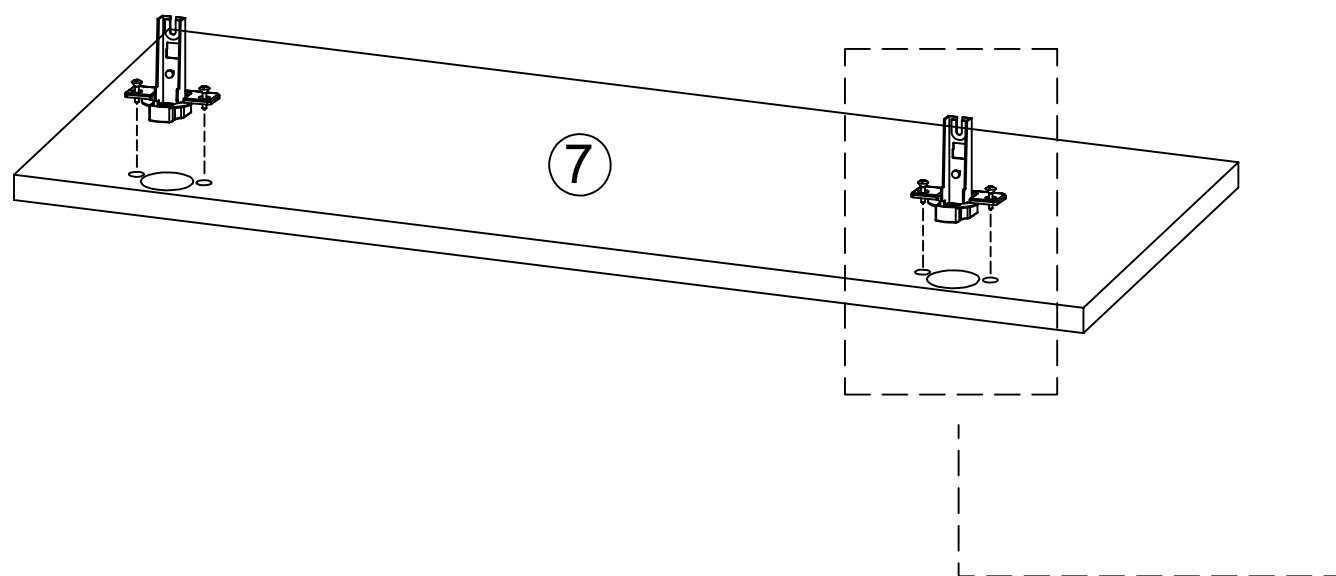
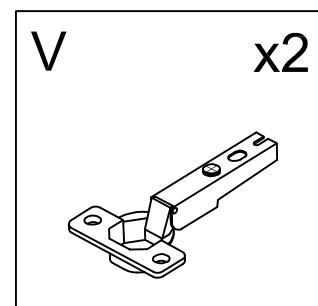
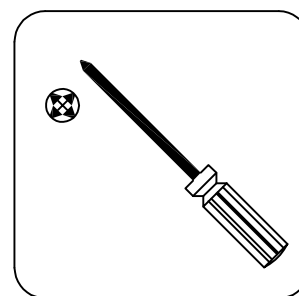
G	x8	S	x4	T	x4	U	x4
			EURO 6,3X17				



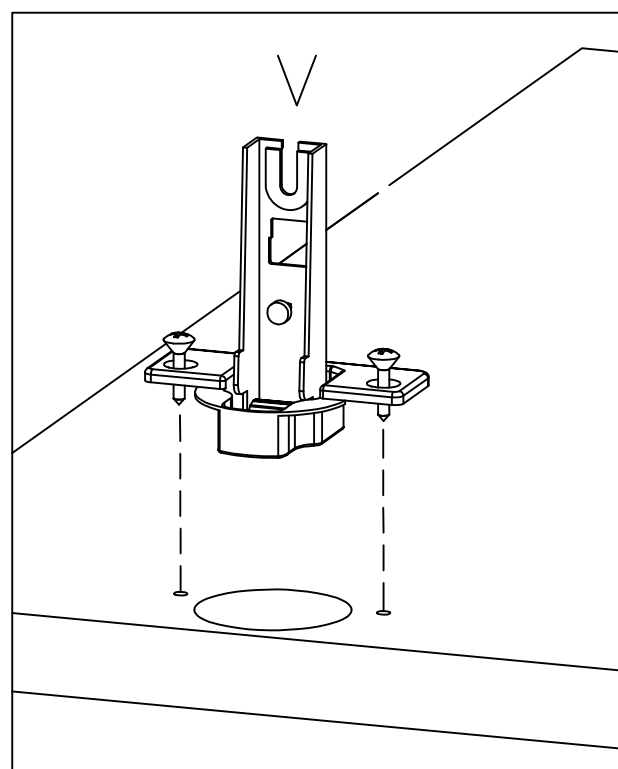
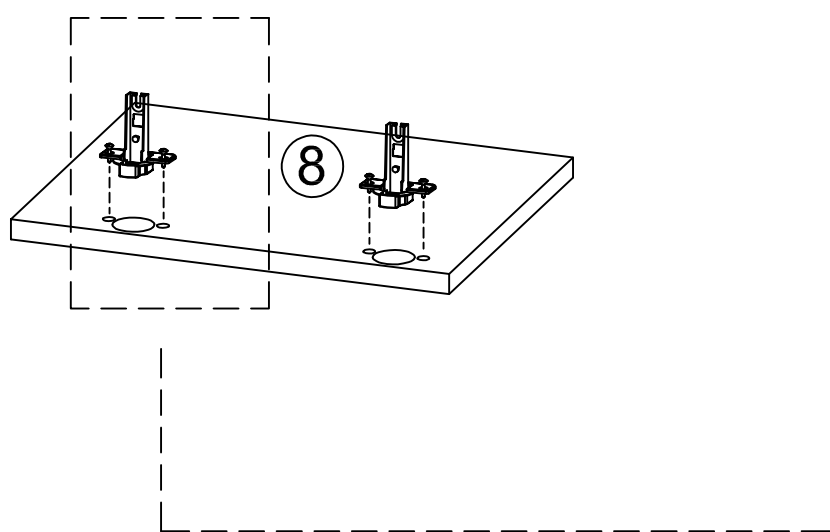
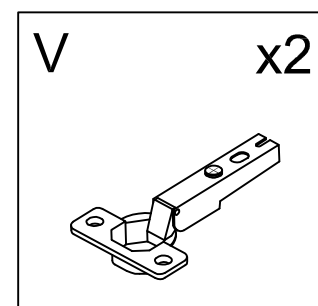
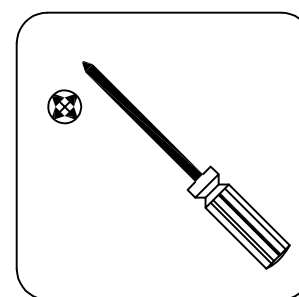
STEP.5- 01



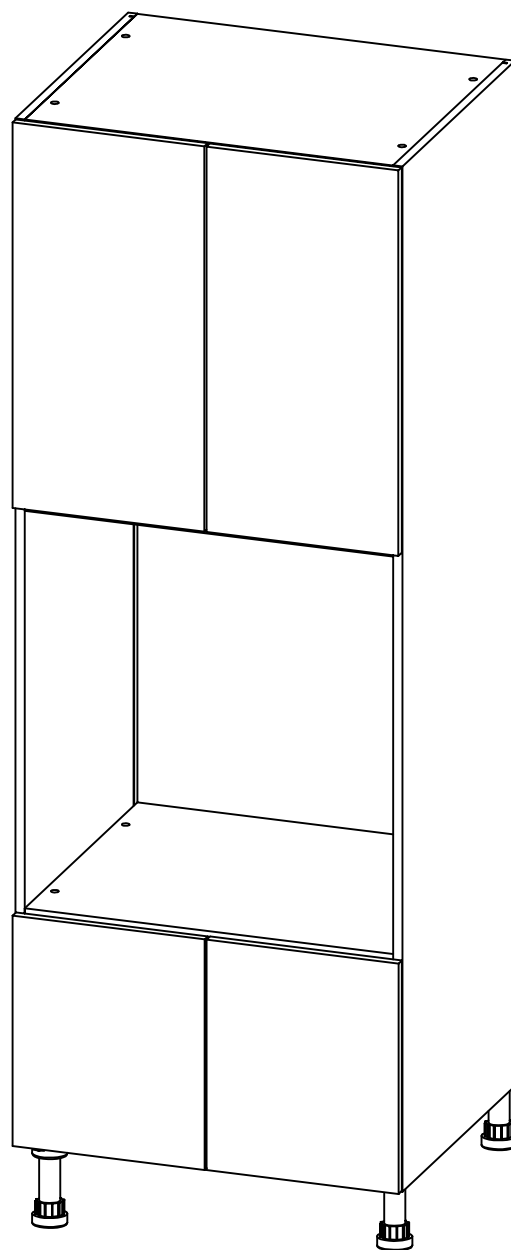
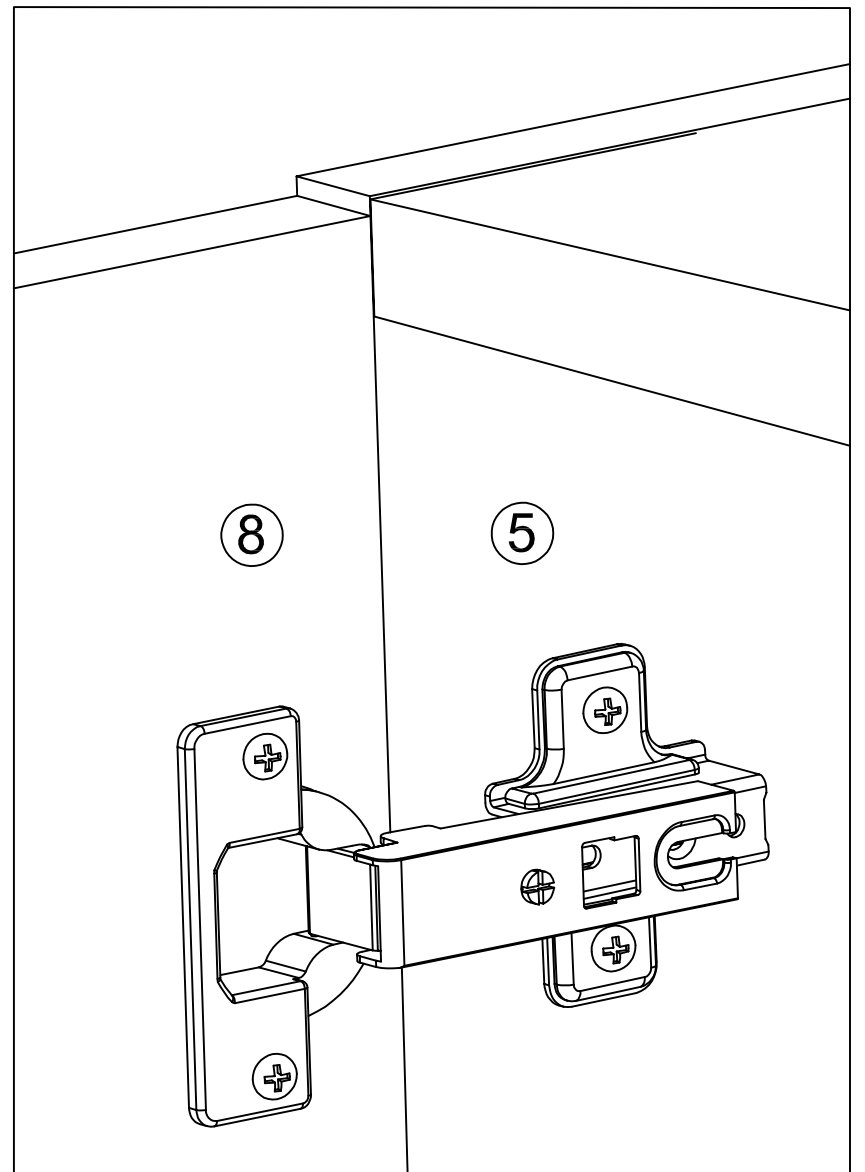
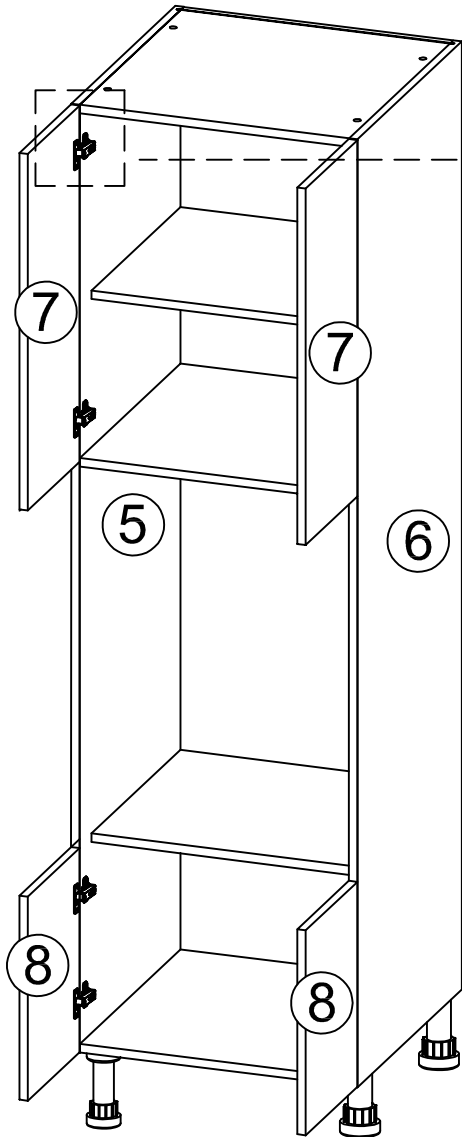
STEP.5- 02 X2

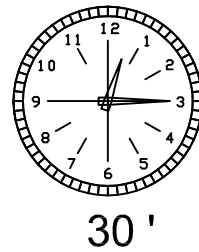
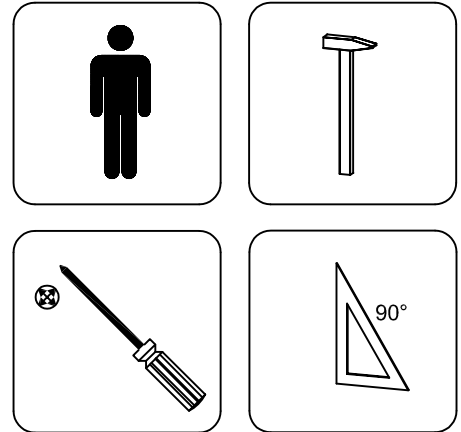
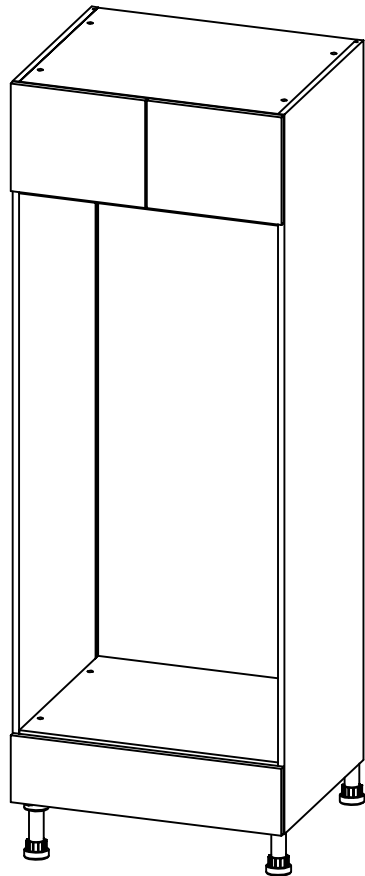


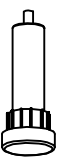

STEP.5- 03 X2

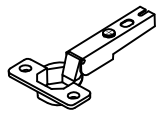
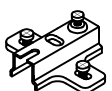




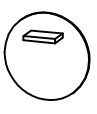


STEP.6- 01




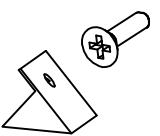







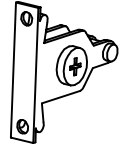




STEP.1_F712000001			
8060000411	8060000412		
Q	x4	R	x4
			

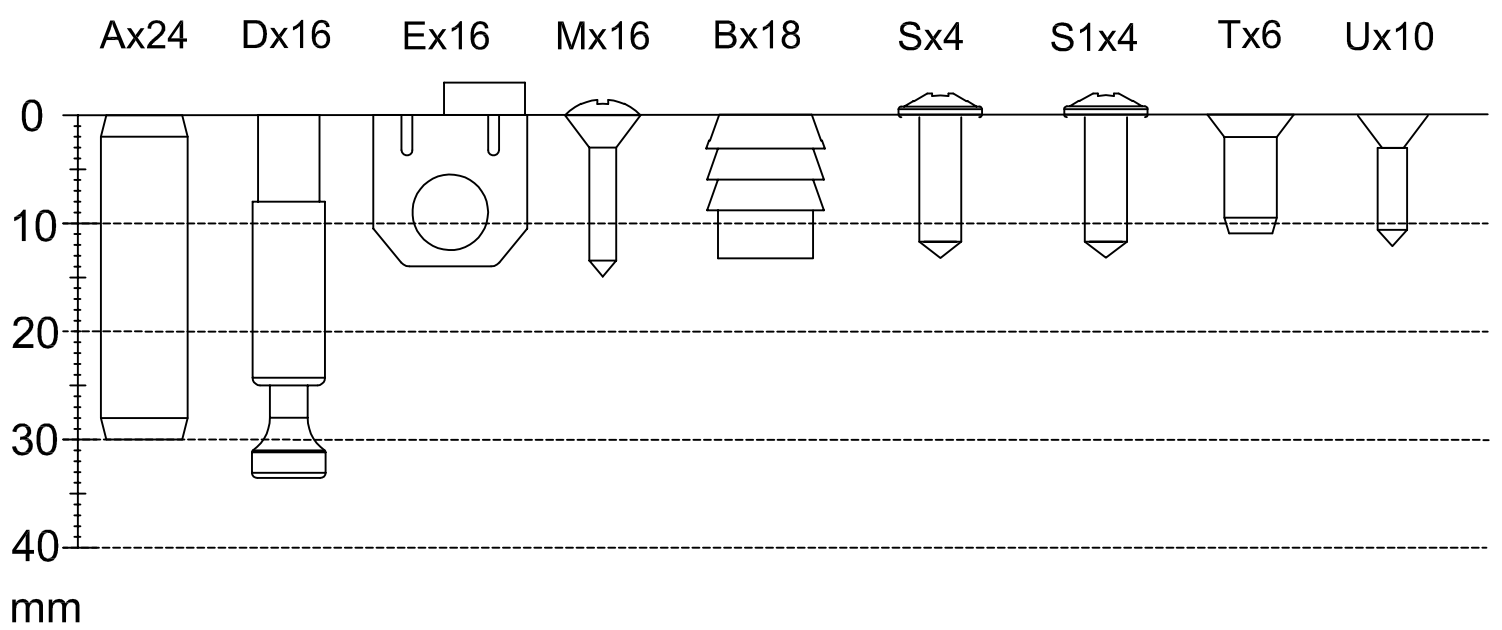
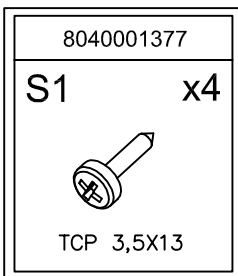
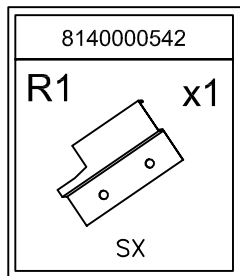
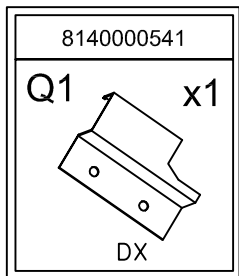
STEP.4_H000000140			
8040001375	8040001376		
V	x4	Z	x4
			

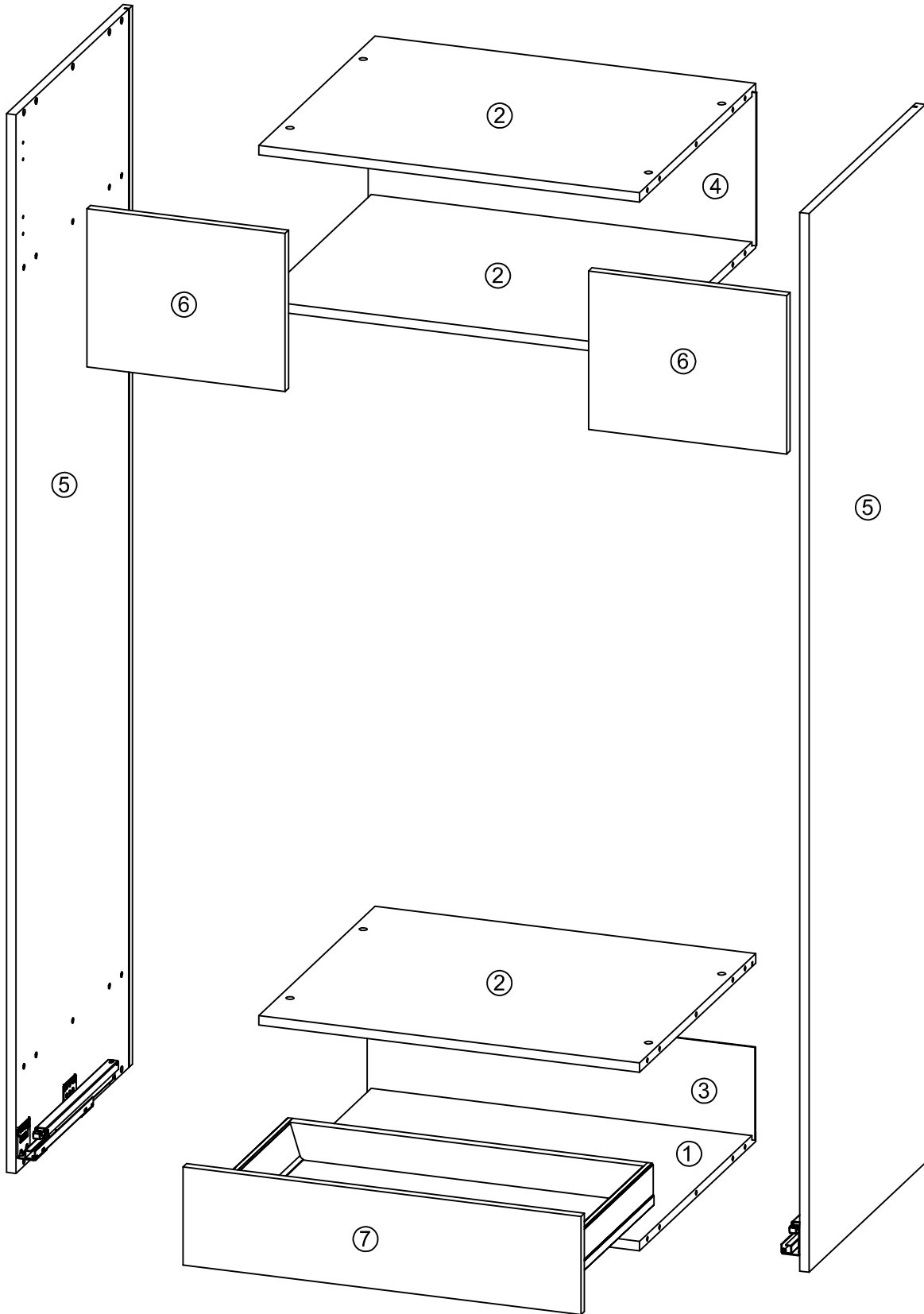
FN00000016K				
STEP.2_FN00000016A				
8140000013	8060000880	8060000439	8040001145	8040001144
A	x24	B	x18	C
				
			D	x16
				
			E	x16
				

8230300014
P
x1


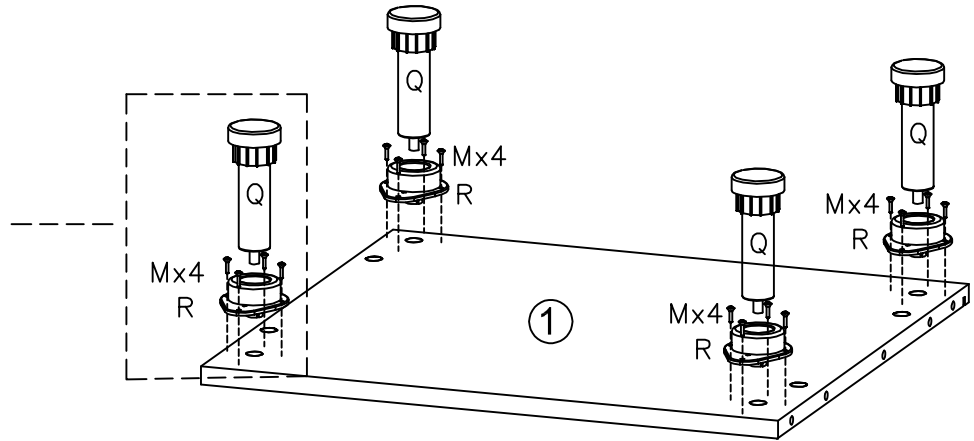
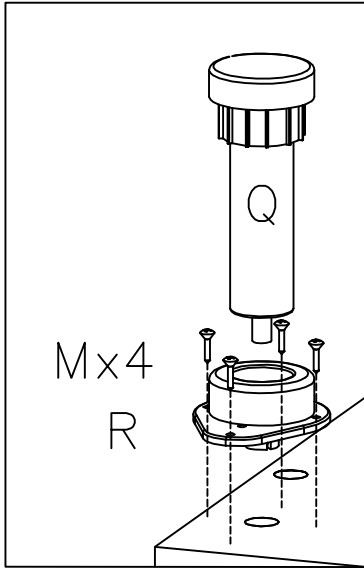
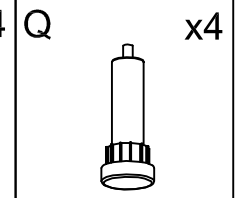
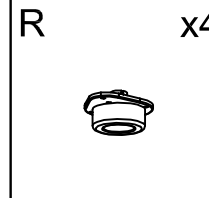
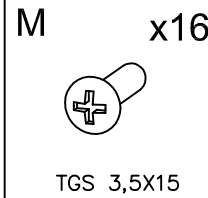
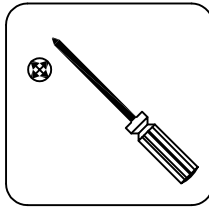
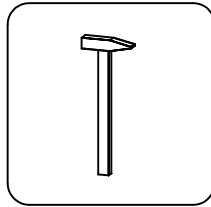
STEP.3_FN00000016B	
8040000762	8040000005
L	x10
	
	M
	x16
	
	TGS 3,5X15

STEP.5_814000534				
8040001362	8040000021	8040000771	8060000625	8060000693
S x4	T x6	U x10	V x2	Z x2
 TCP 3.9X13	 EURO 6.3X11	 TSP 3.5X12		
8140000535	8140000536	8140000537	8140000538	
A1 x1	B1 x1	C1 x1	D1 x1	
 DX	 SX	 DX	 SX	

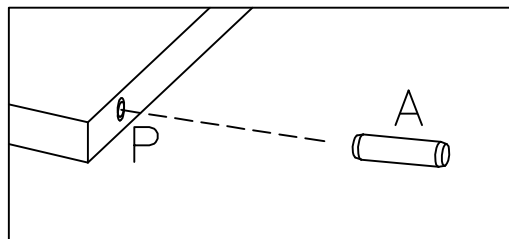
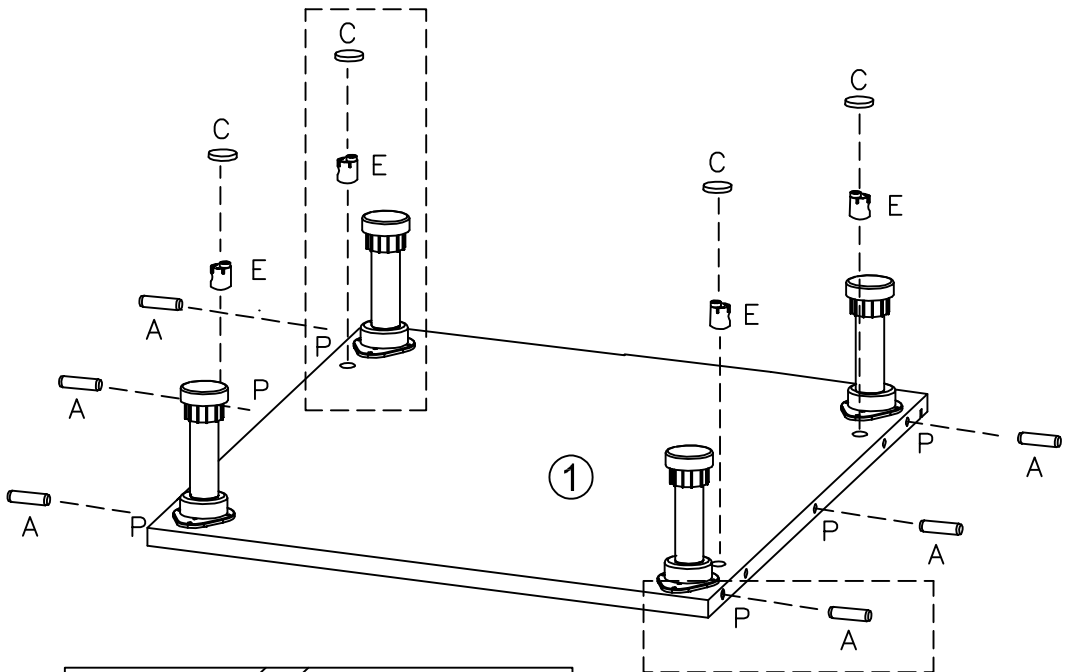
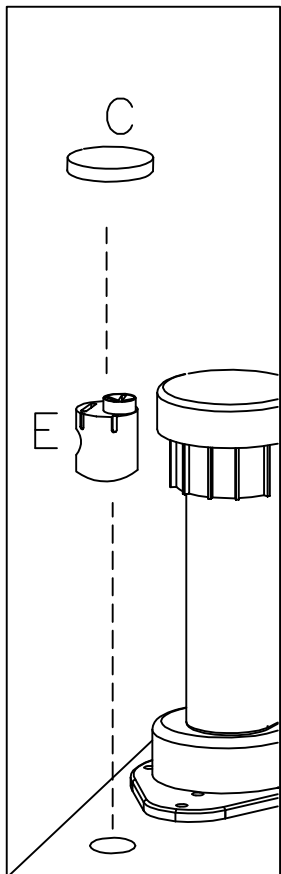
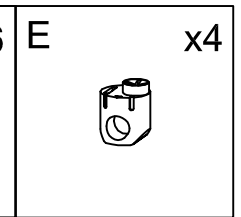
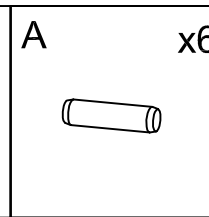
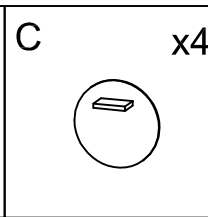
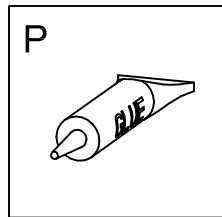




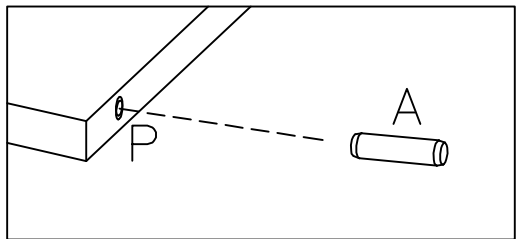
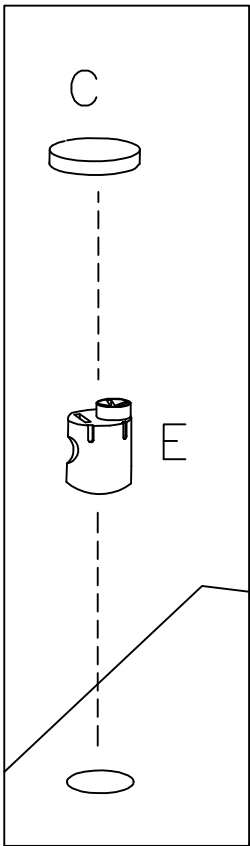
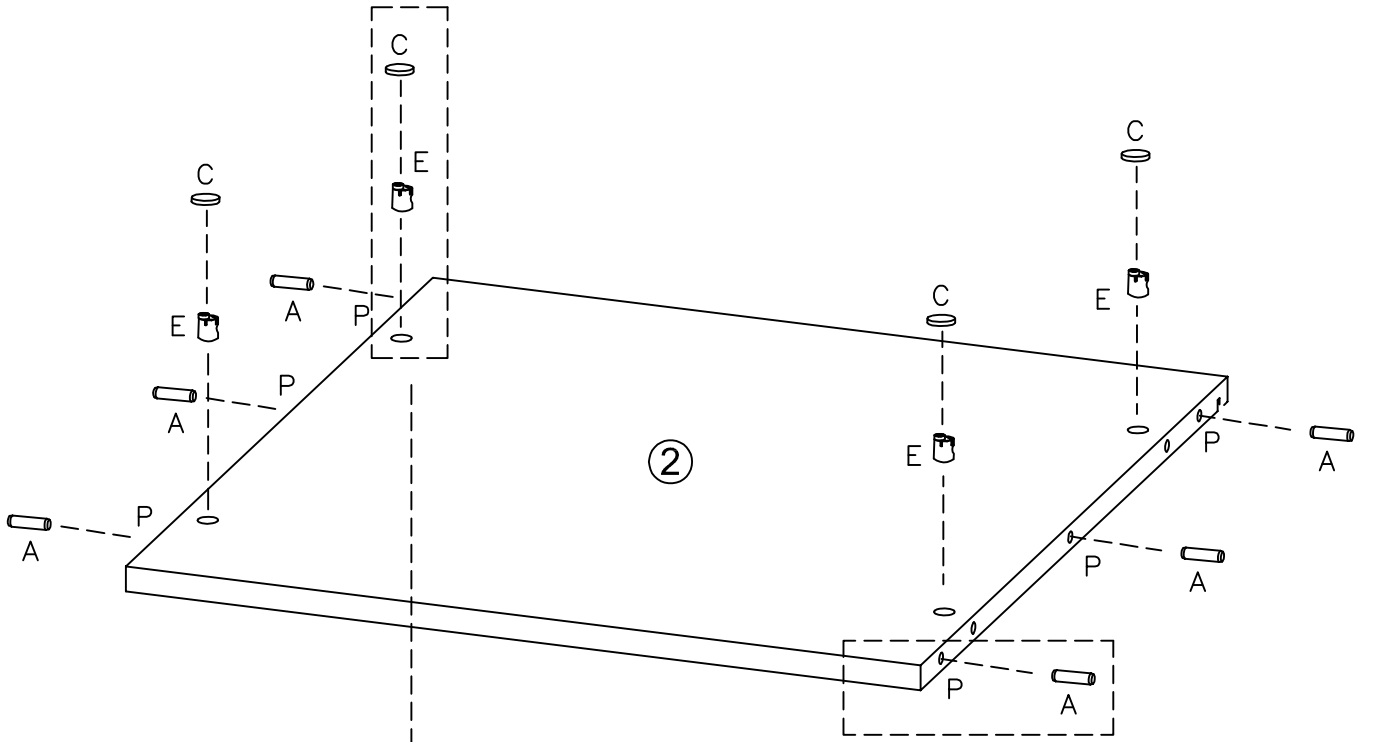
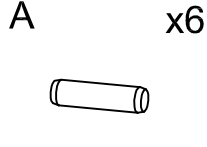
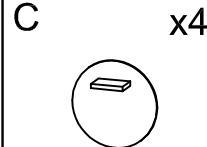
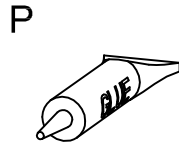
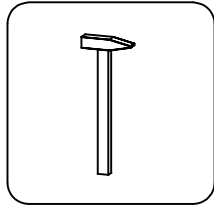
STEP.1- 01



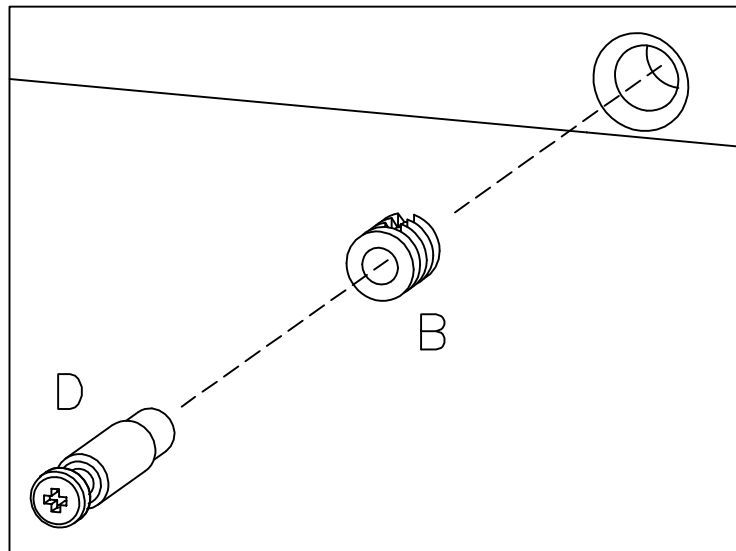
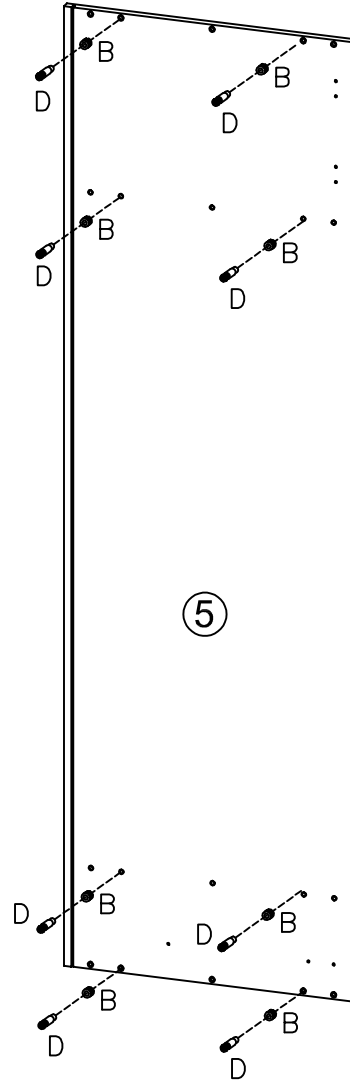
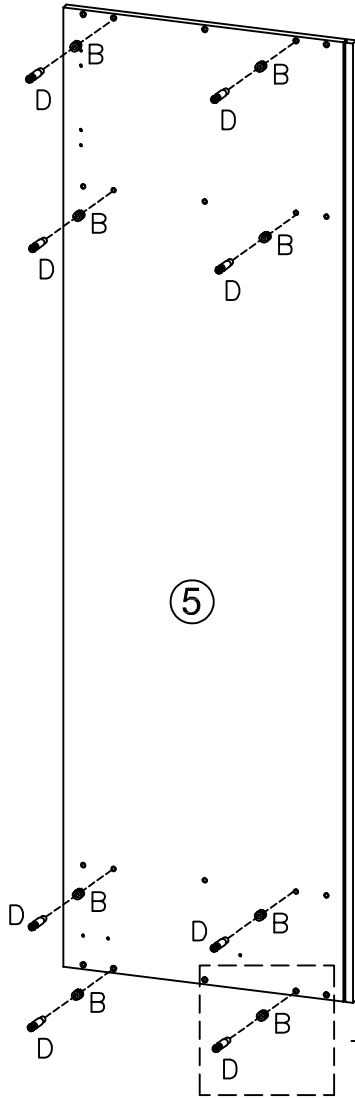
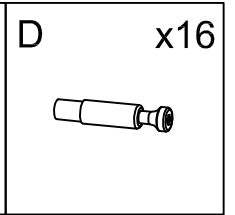
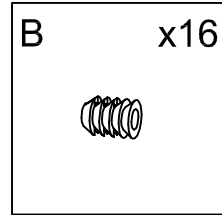
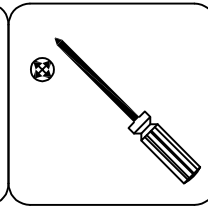
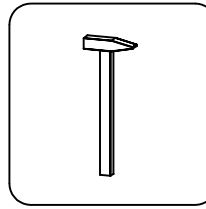
STEP.2- 01



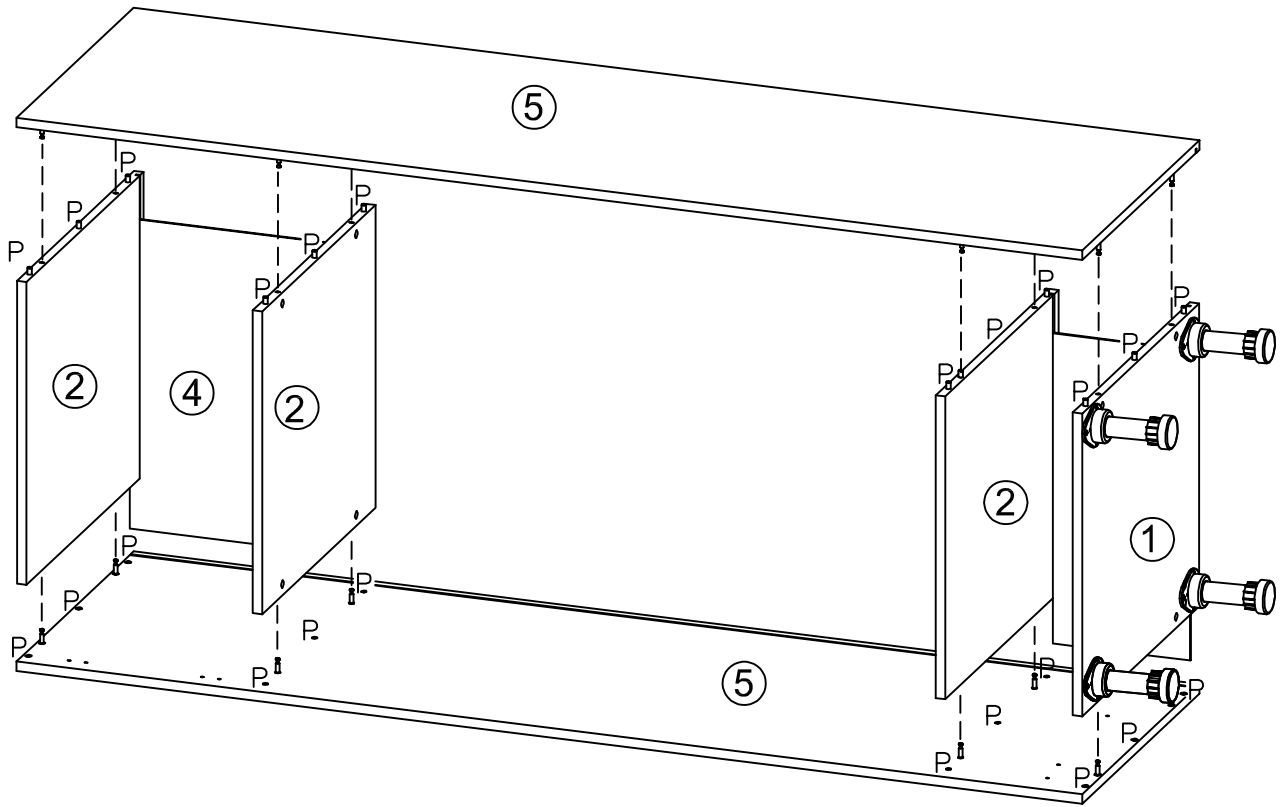
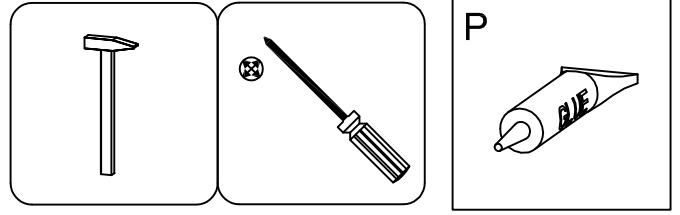
STEP.2- 02 x3



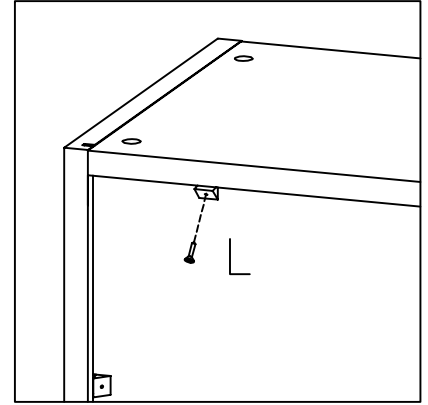
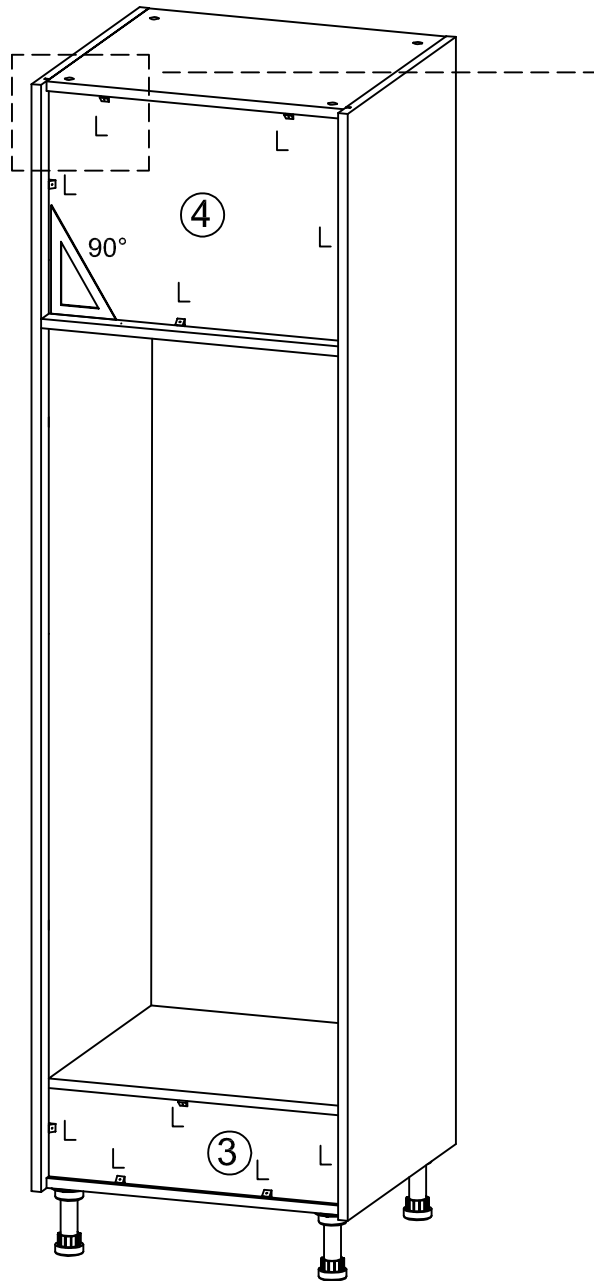
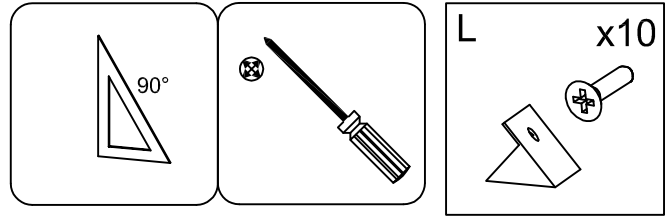
STEP.2- 03



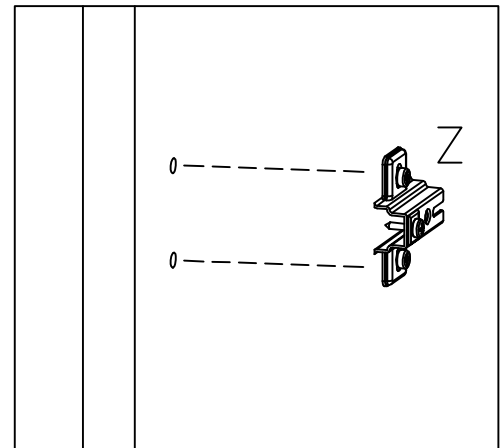
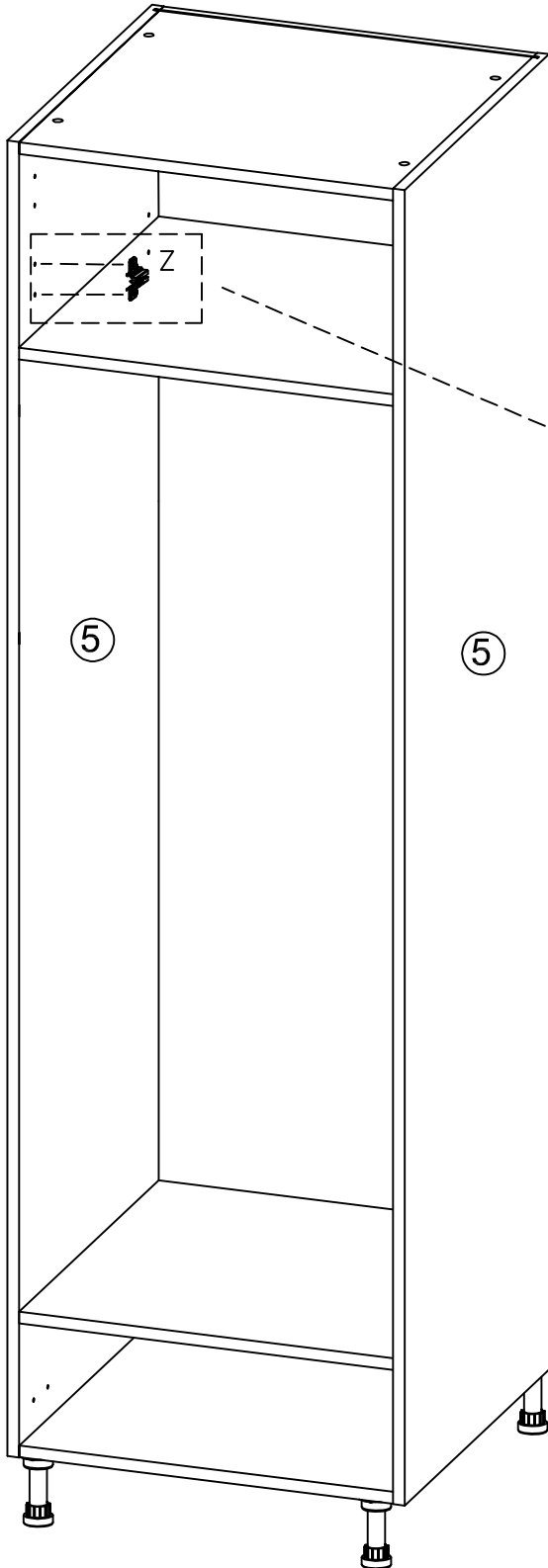
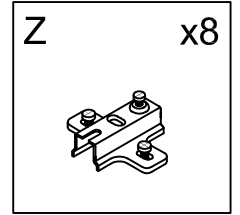
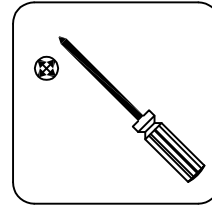
STEP.2- 04



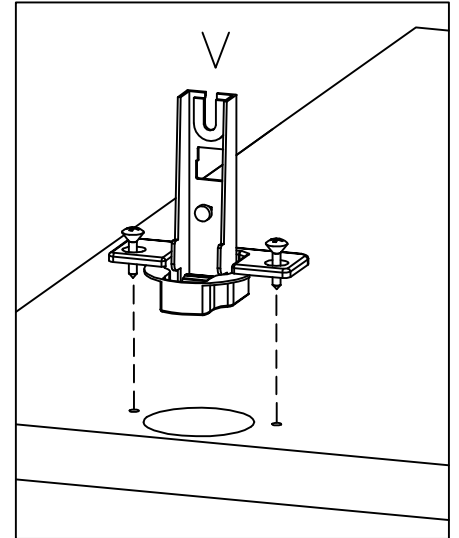
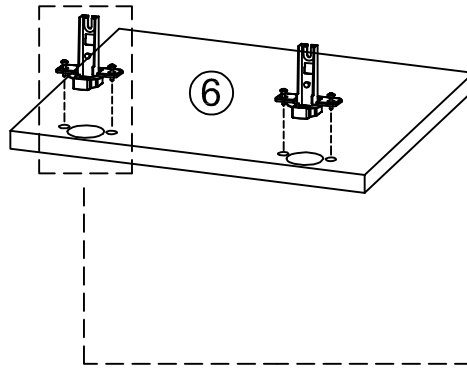
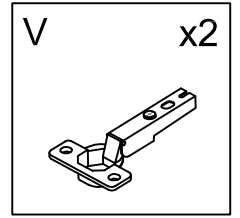
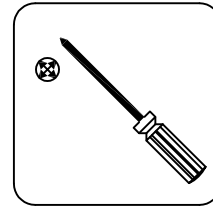
STEP.3- 01



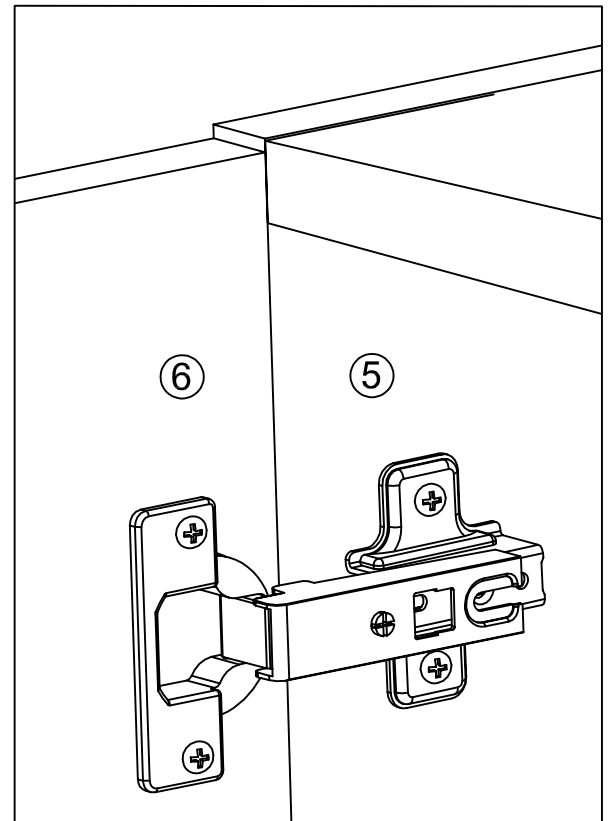
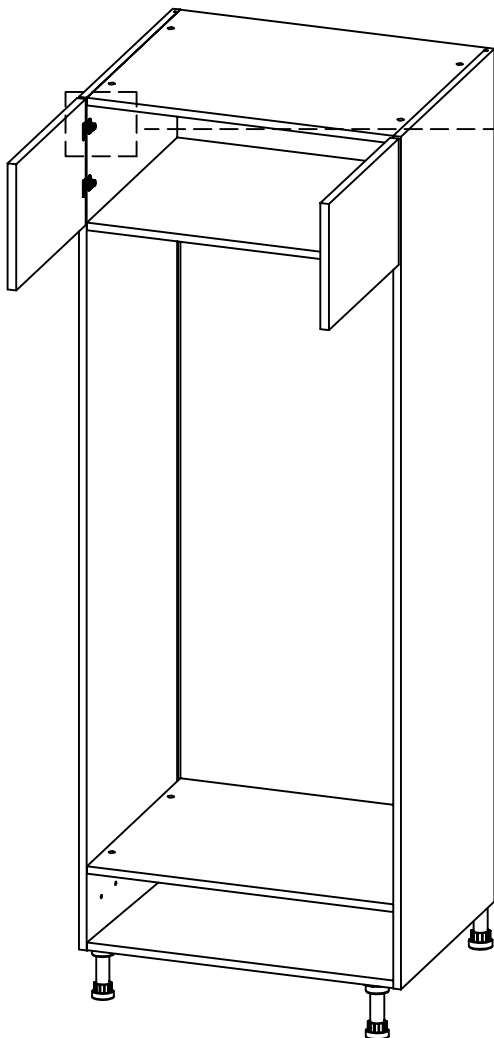
STEP.4- 01



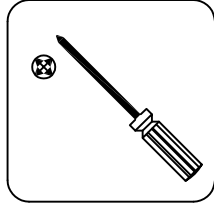
STEP.4- 02 X2







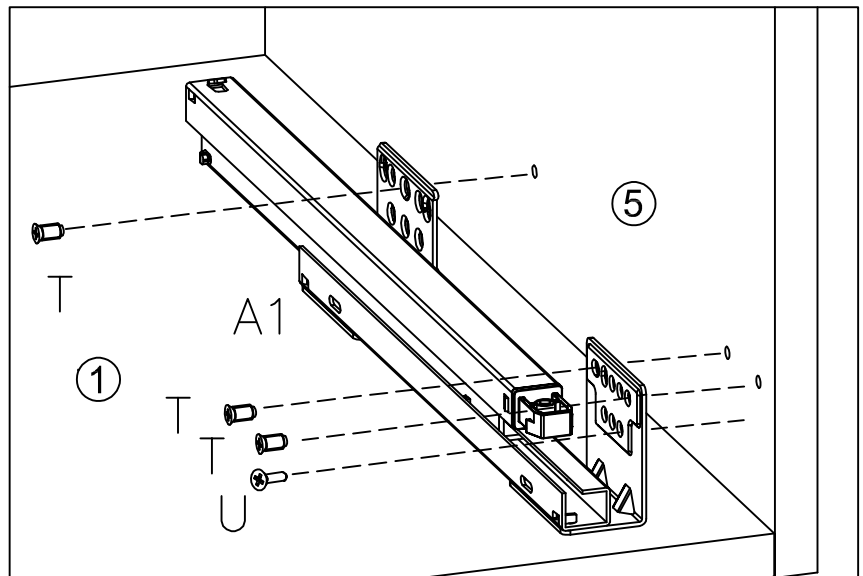
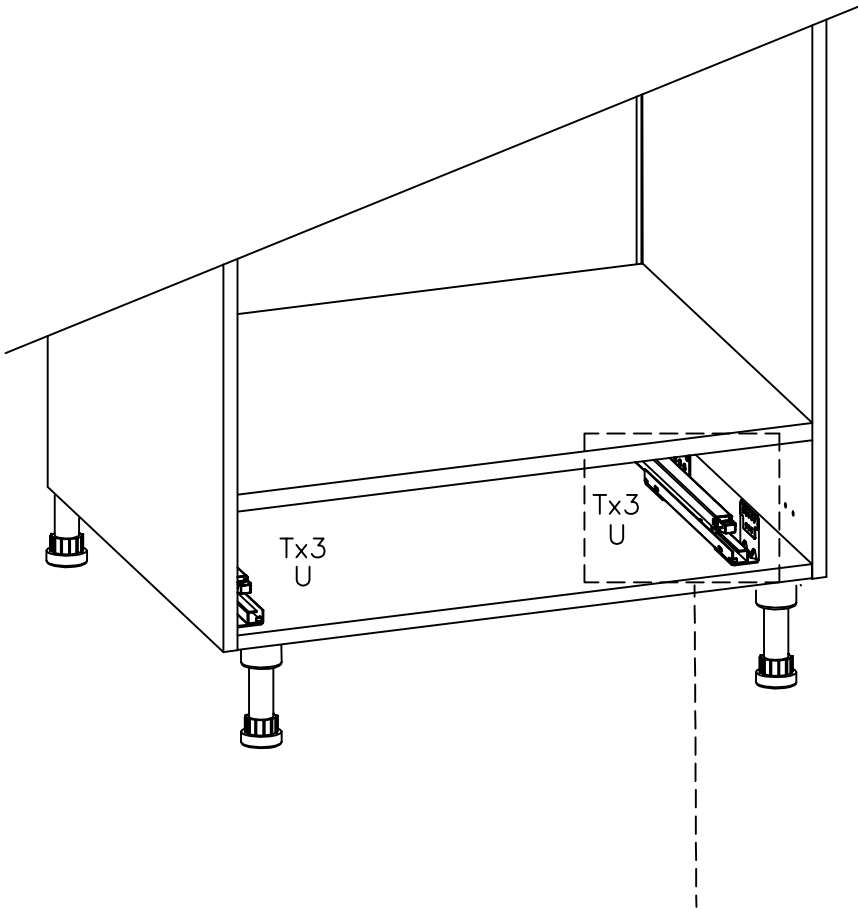
STEP.4- 03



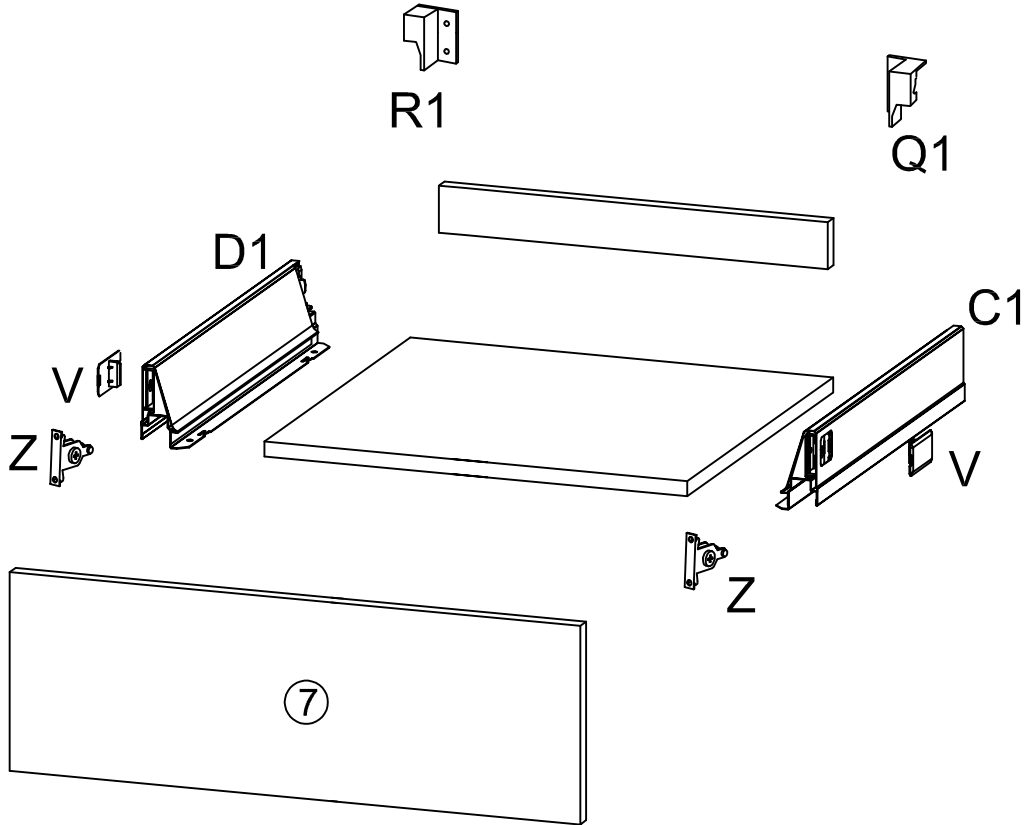
STEP.5- 01



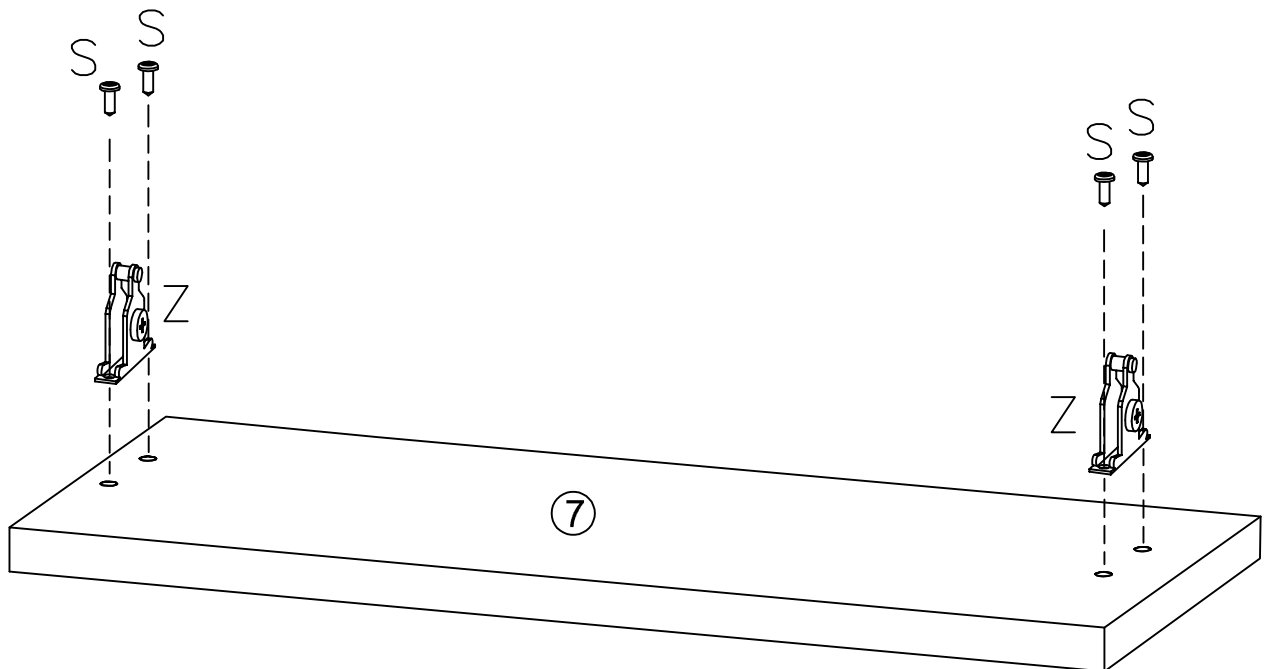
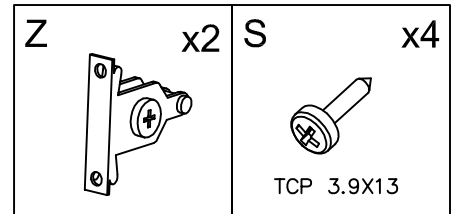
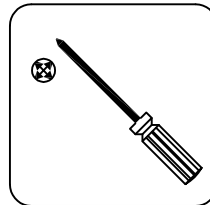
U	x2	T	x6	B1	x1	A1	x1
							
TSP 3.5X12		EURO 6.3X11		SX		DX	



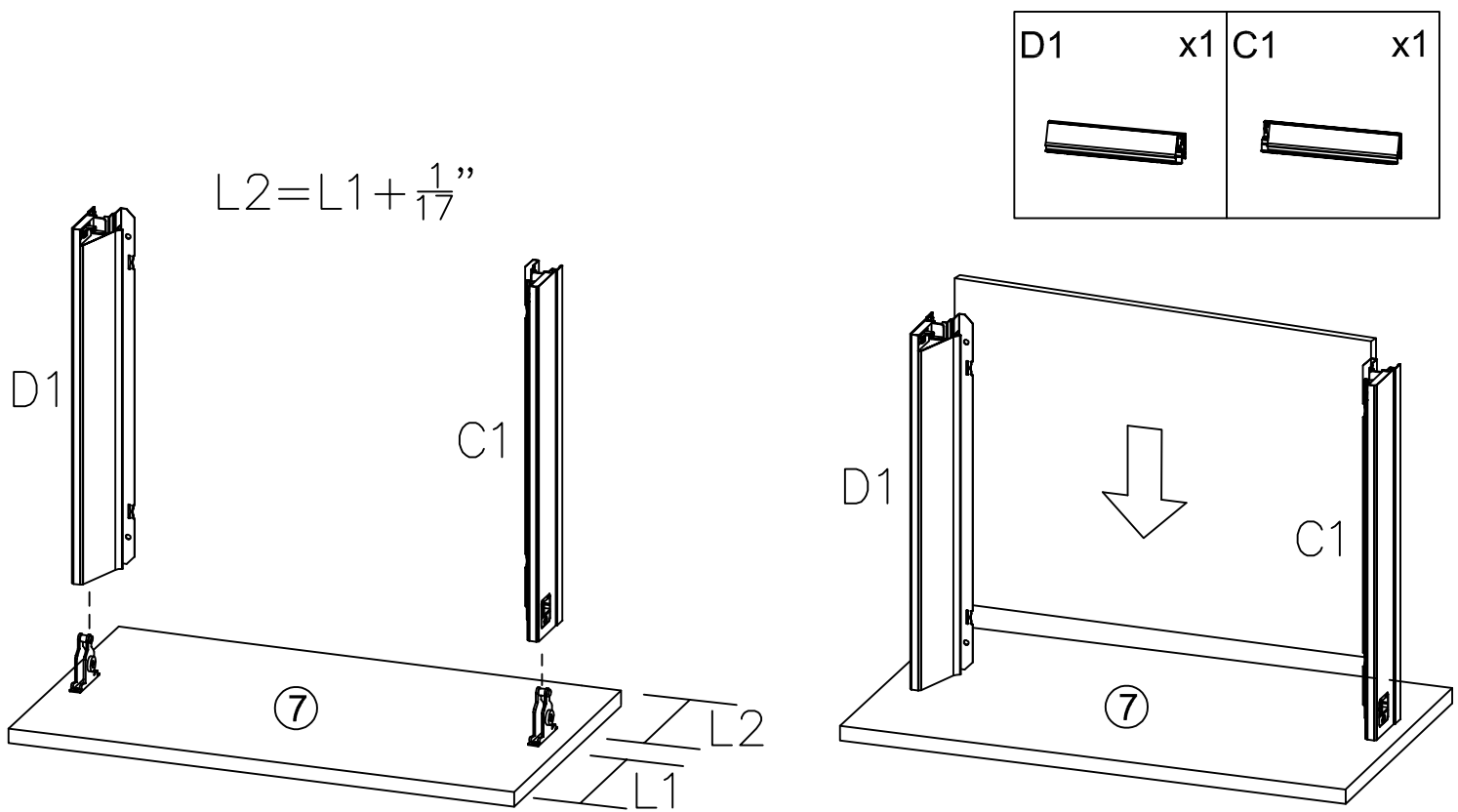
STEP.5- 01



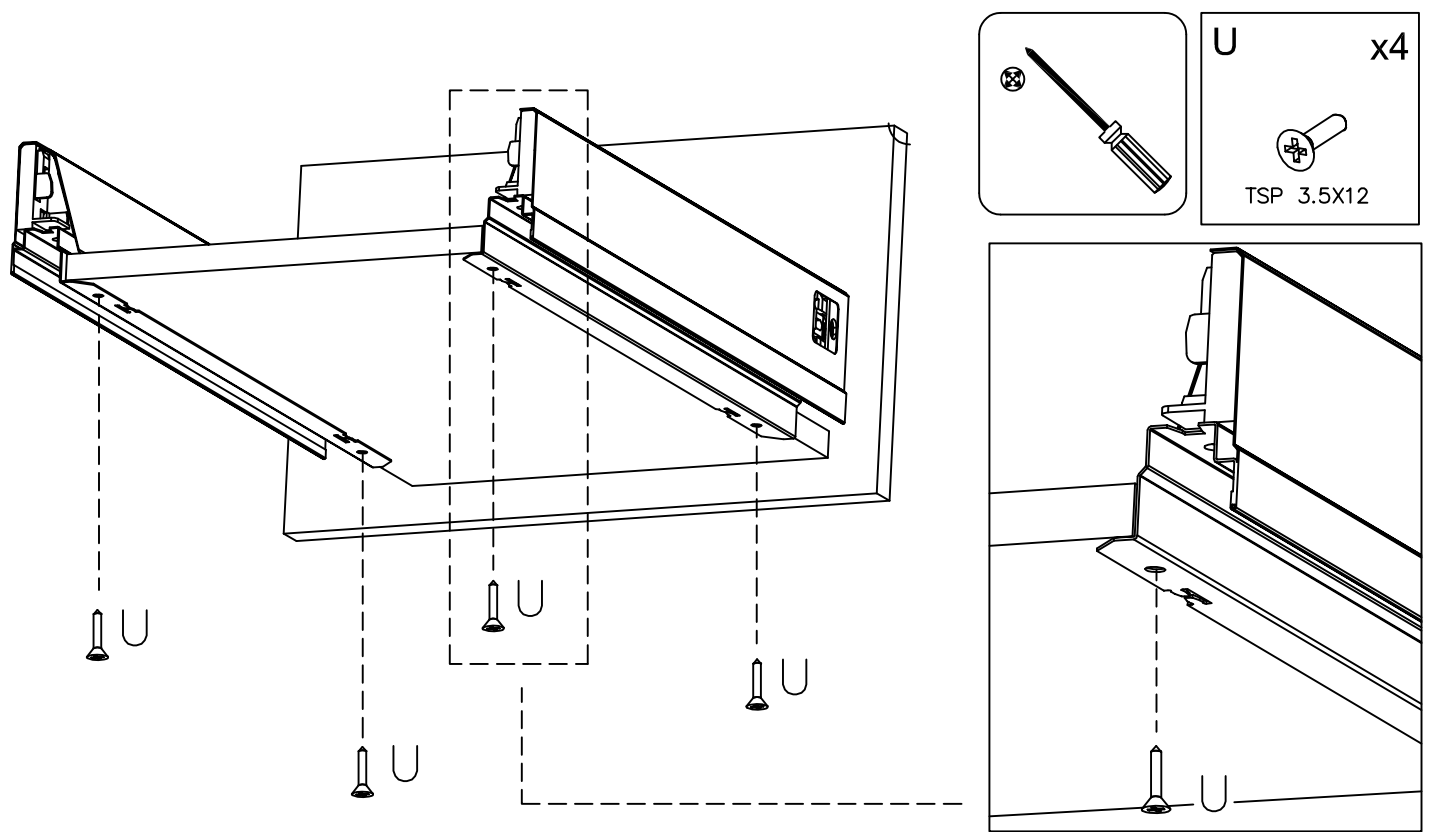
STEP.5- 02



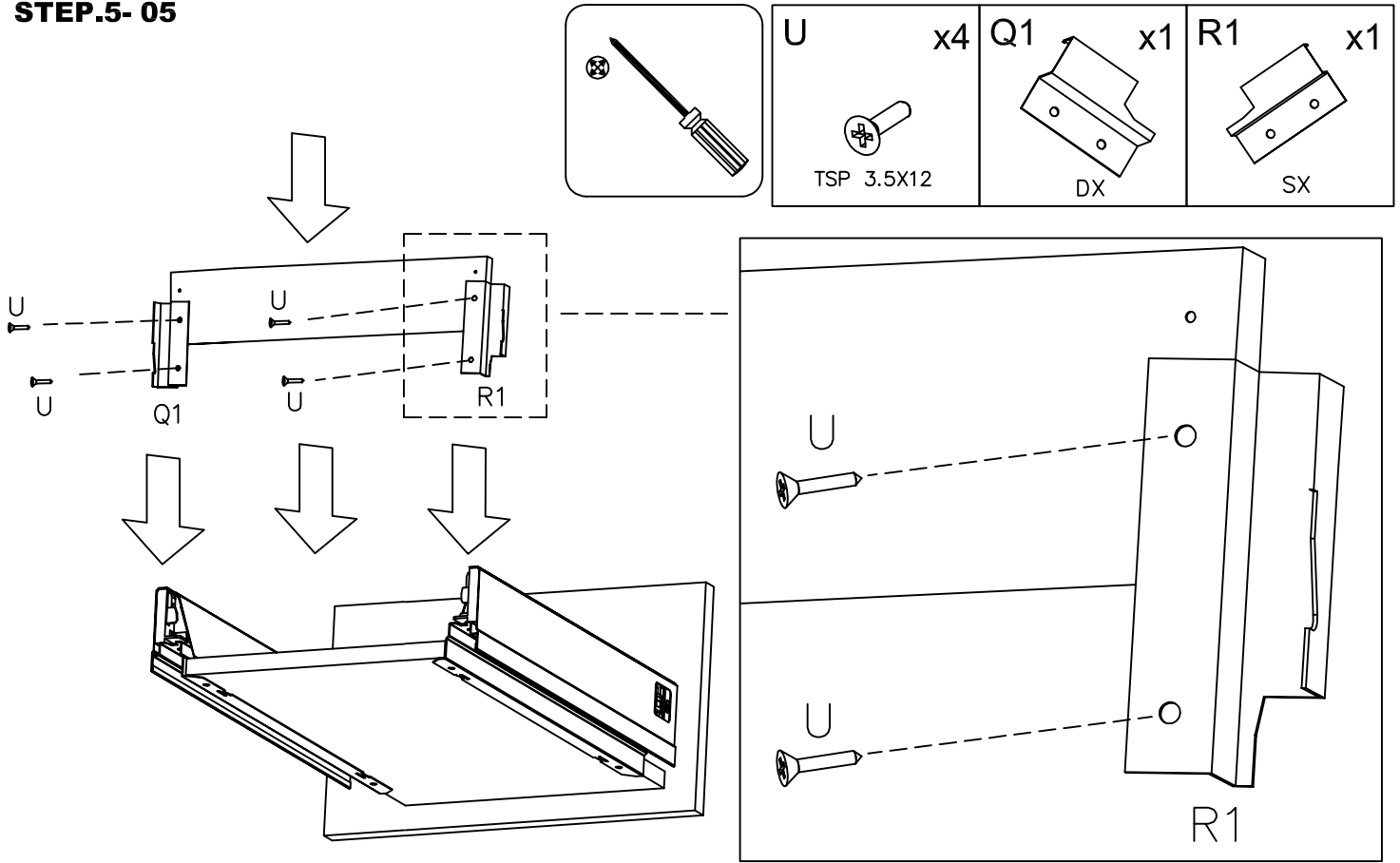
STEP.5- 03



STEP.5- 04

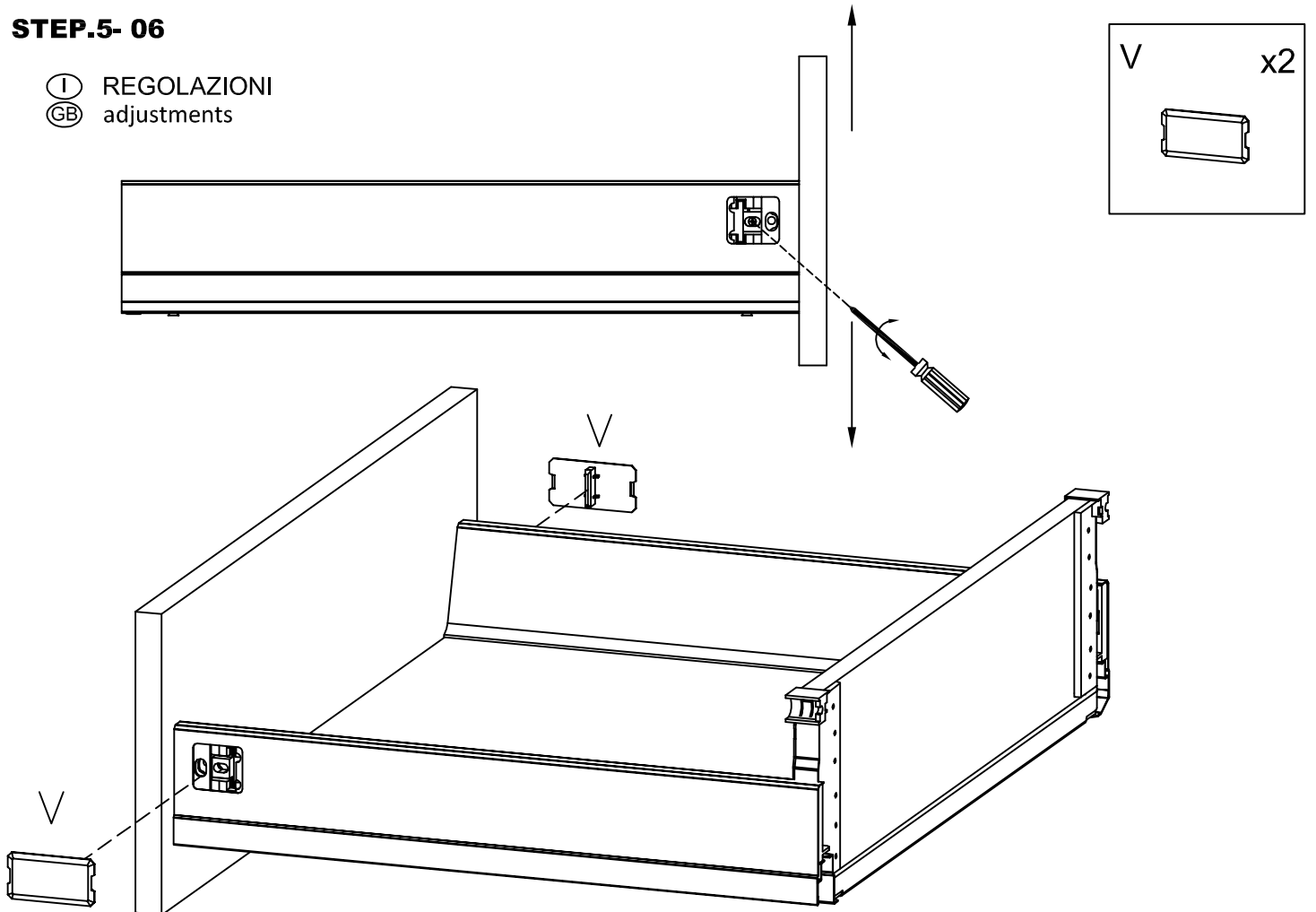


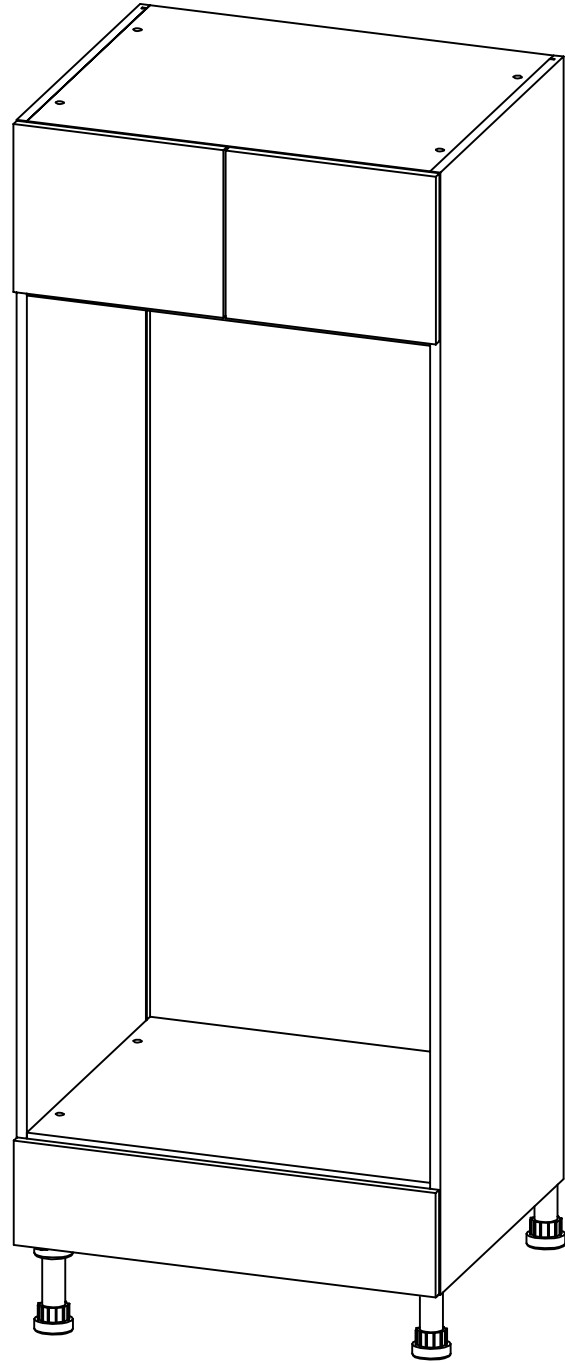
STEP.5- 05

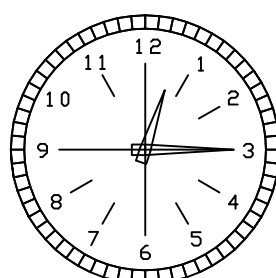
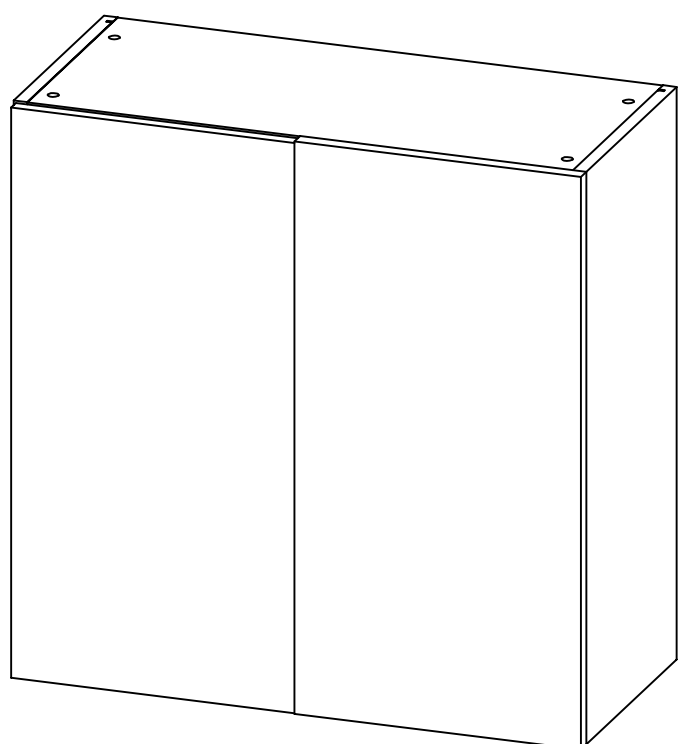


STEP.5- 06

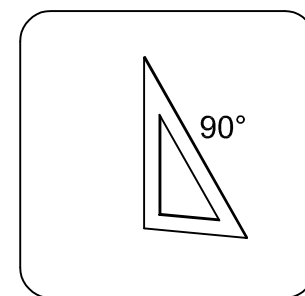
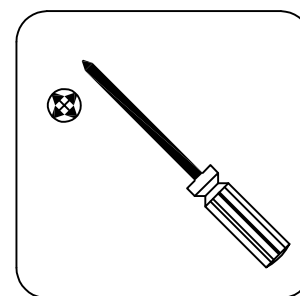
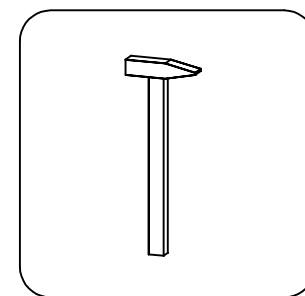
- ① REGOLAZIONI
- Ⓒ adjustments







20''



FN00000017K

STEP.1_FN00000017A

8140000013	8060000880	8060000439	8040001145	8040001144
A x12	B x10	C x8	D x8	E x8

STEP.2_FN00000017B

8040000762	8060000156
L x10	H x4

STEP.3_FN00000017C

8040000392	8040002001	8040002002
S x8	T x8	U x8
 EURO 6,3X17		

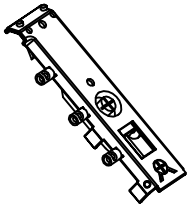
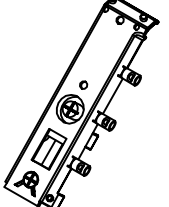
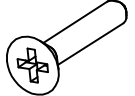
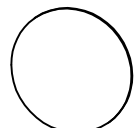
STEP.4_FN00000013C

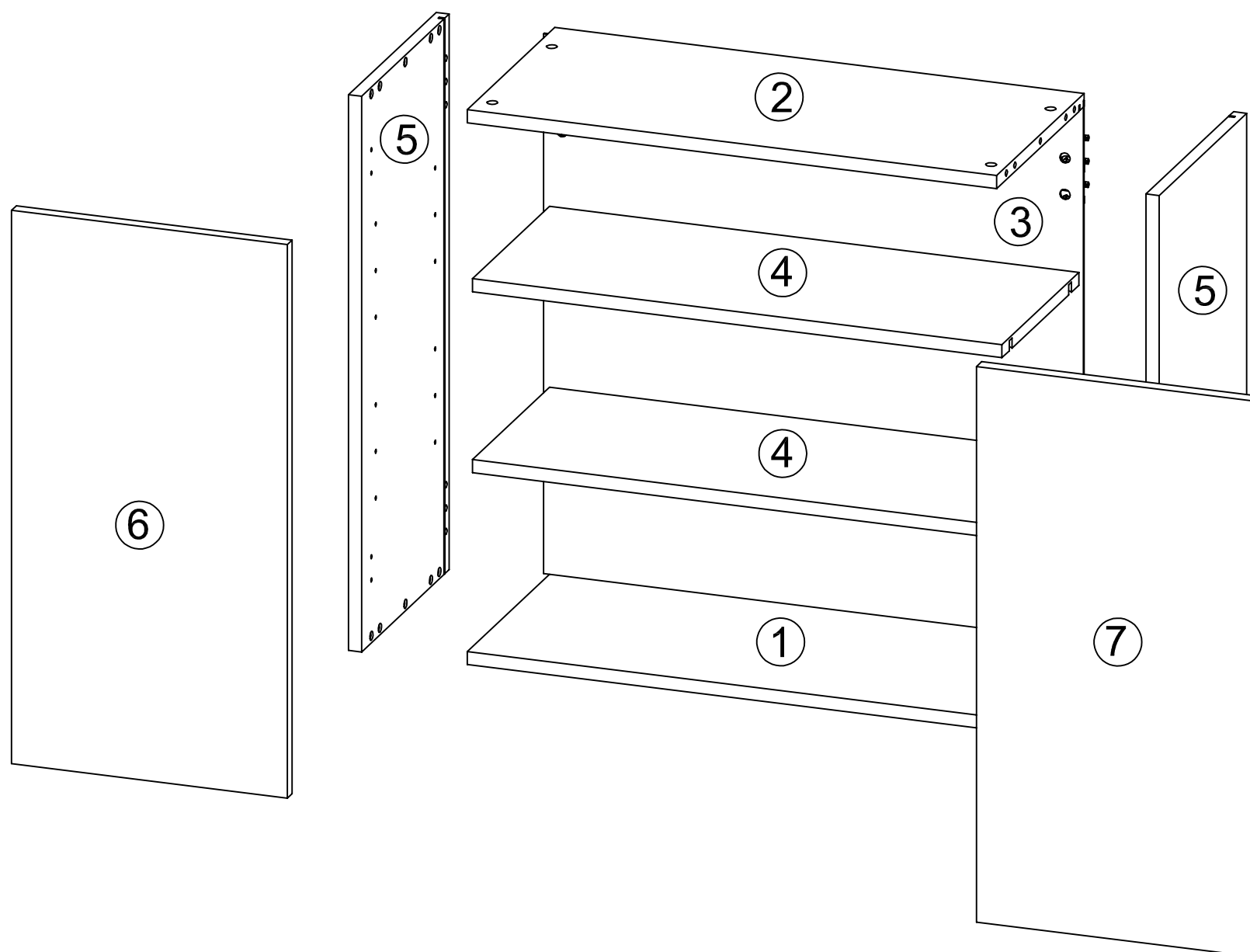
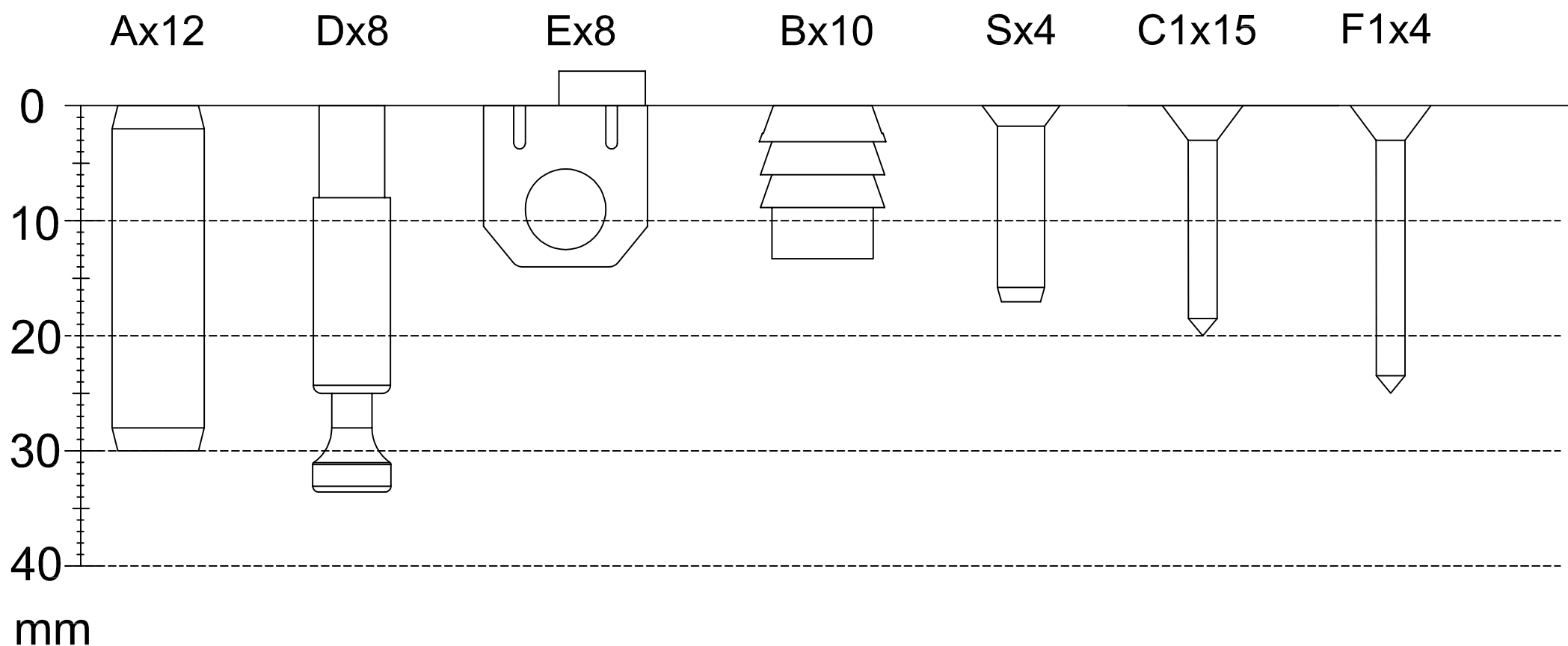
8060000540	8050001556
C1 x15	D1 x5
 TSP 3,5X20	

STEP.5_HID00000011

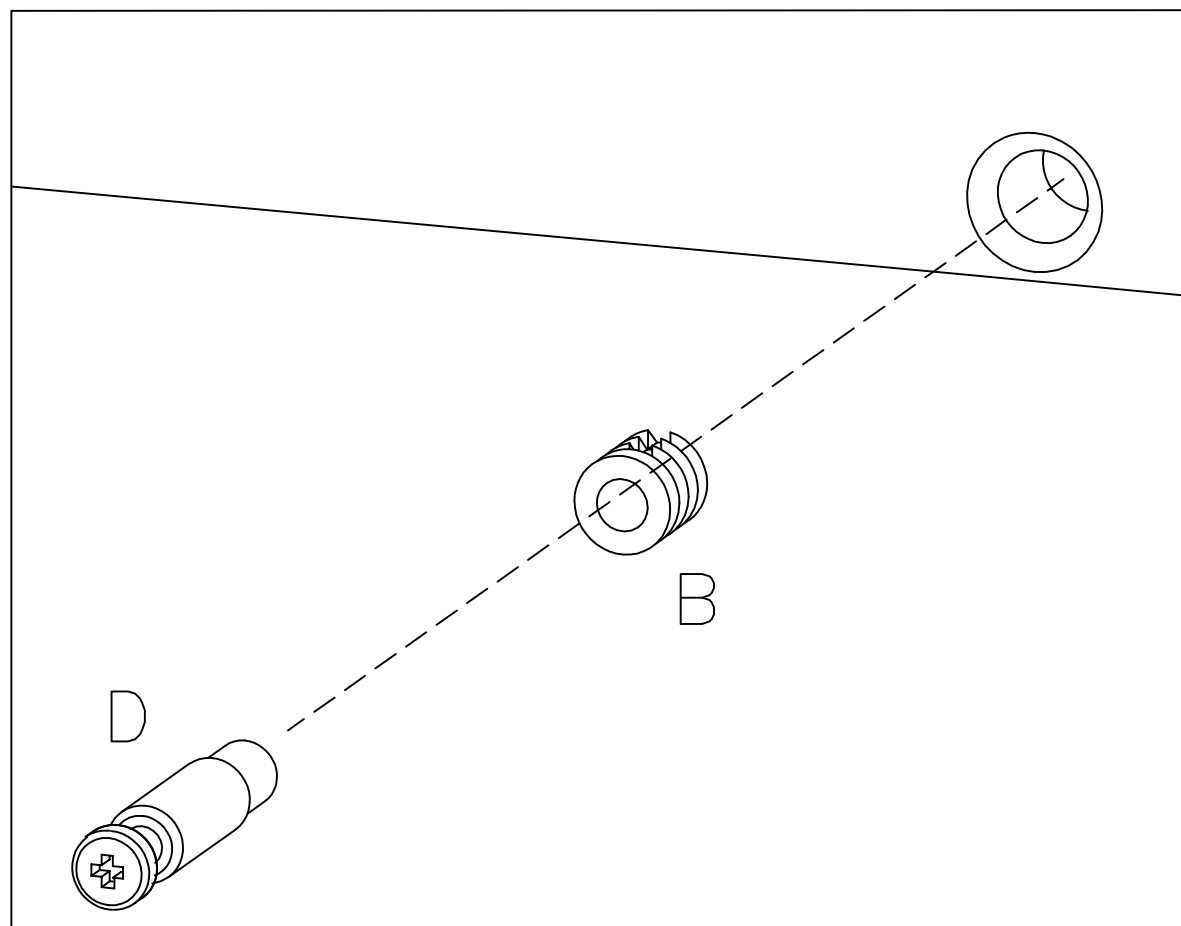
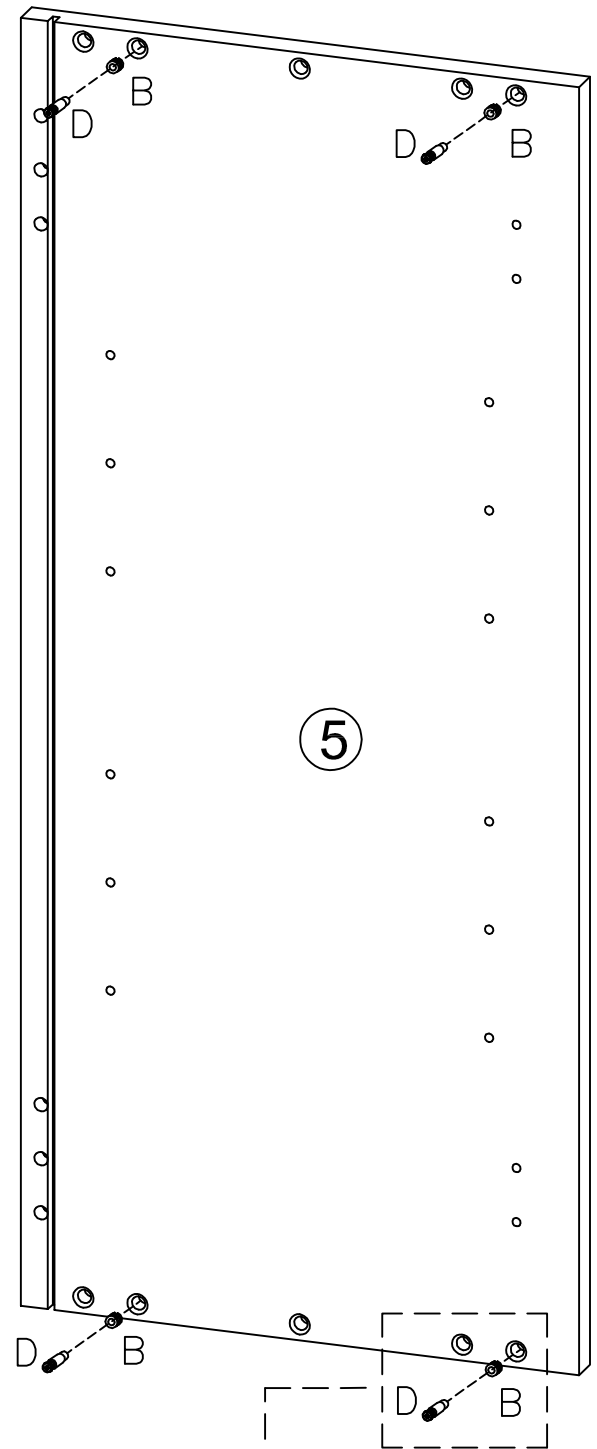
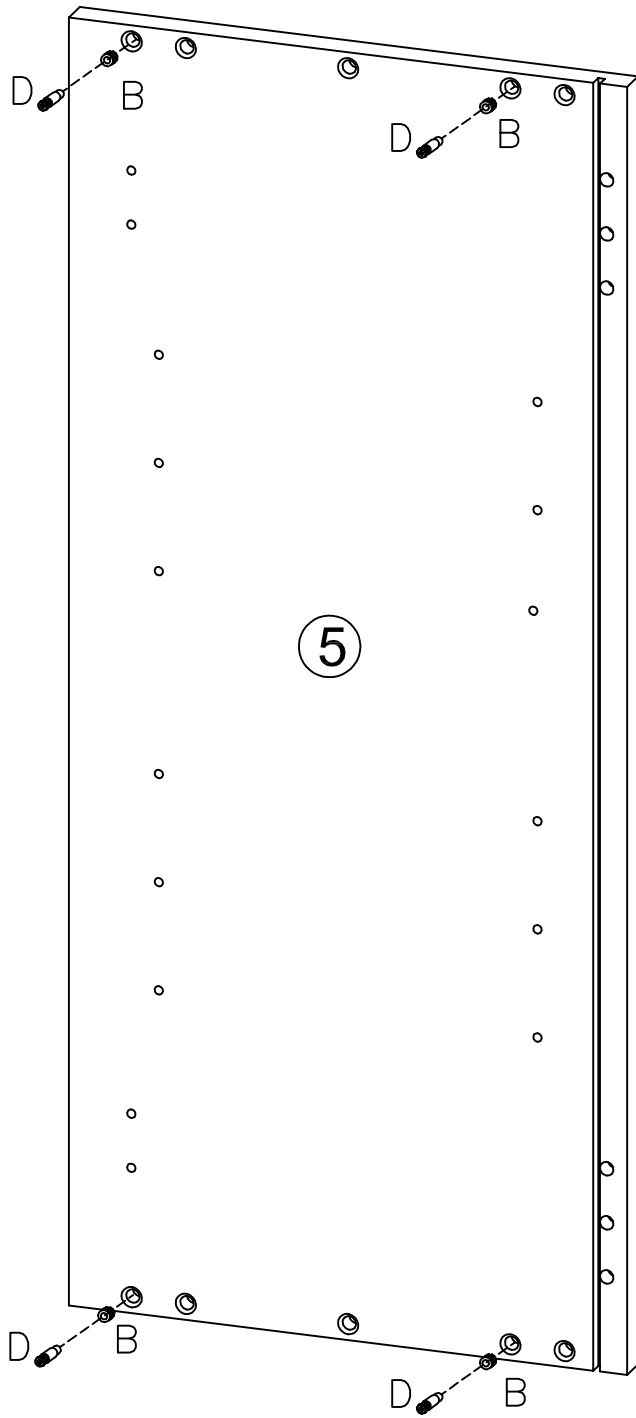
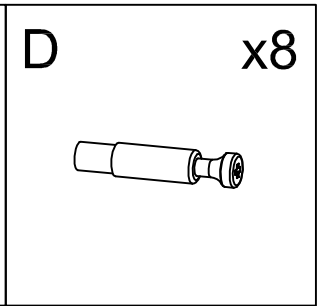
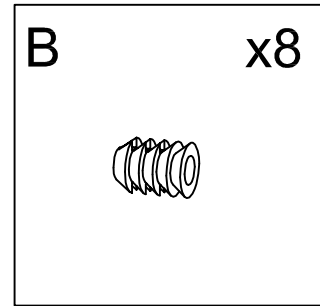
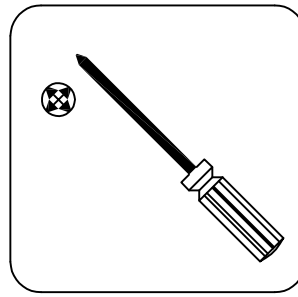
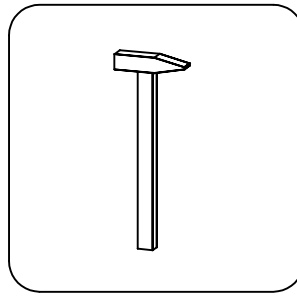
8040002166	8040002165
V x2	Z x2

8230300014
P x1

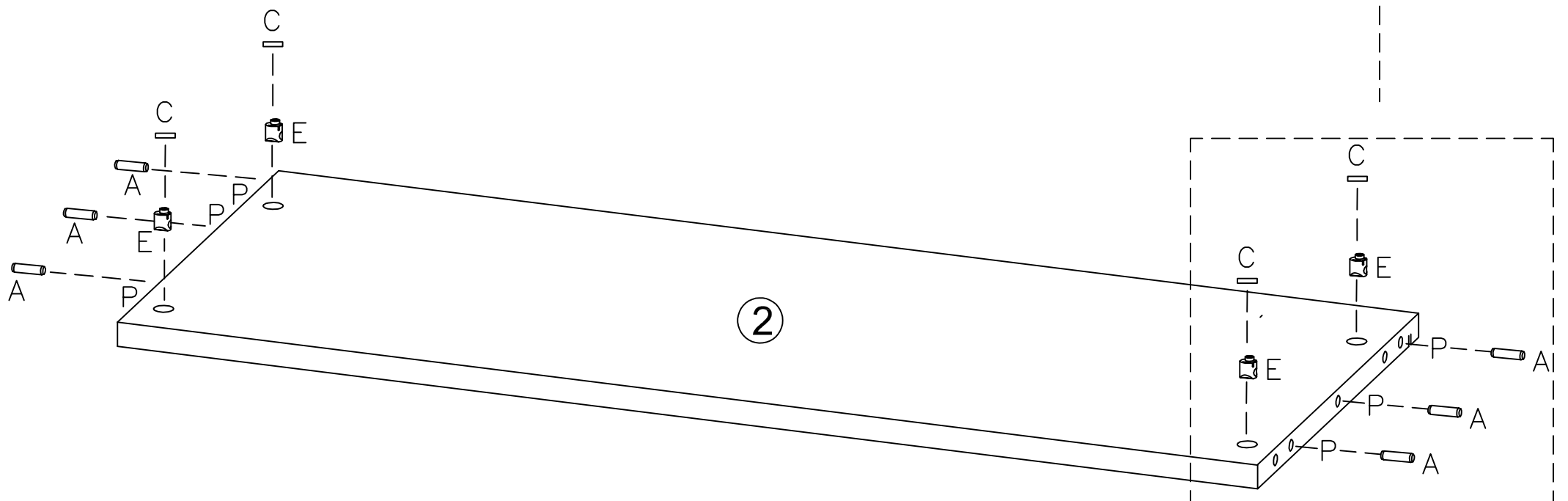
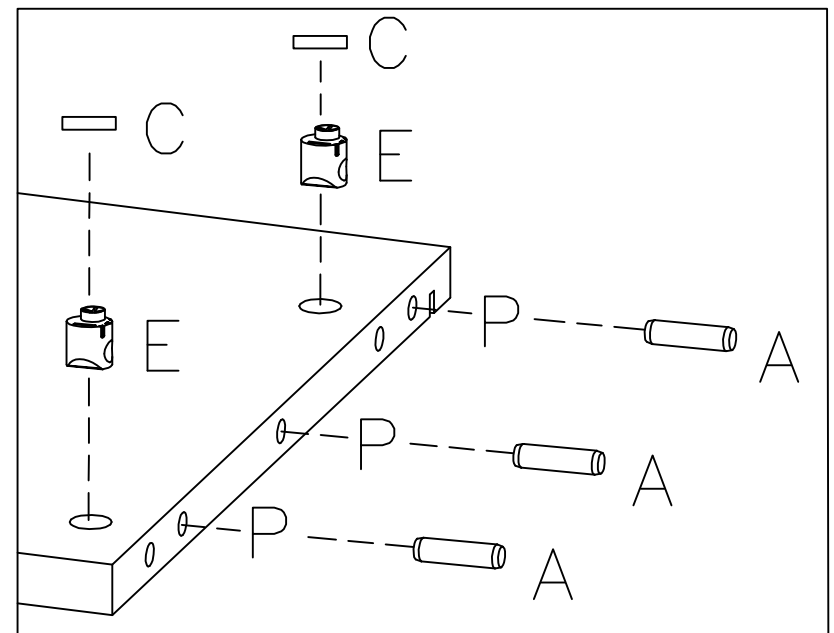
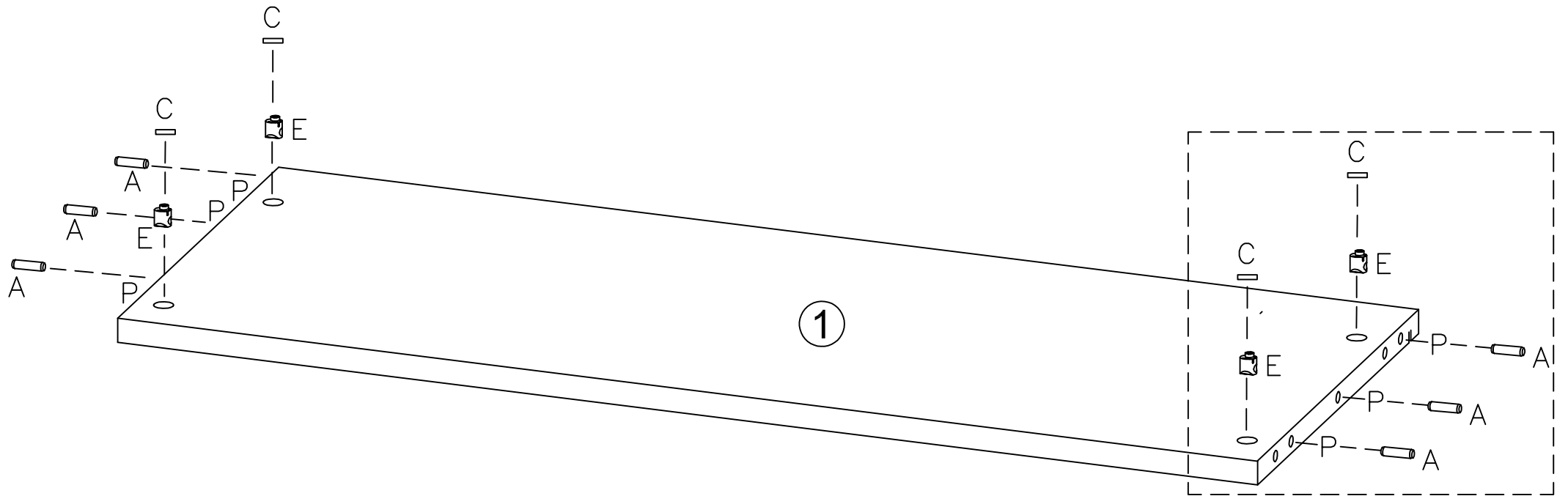
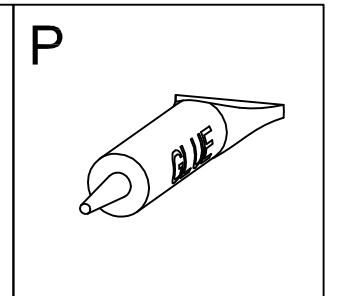
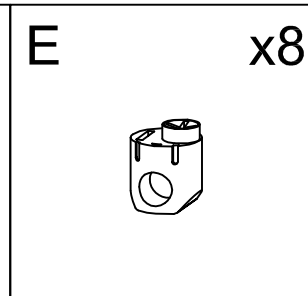
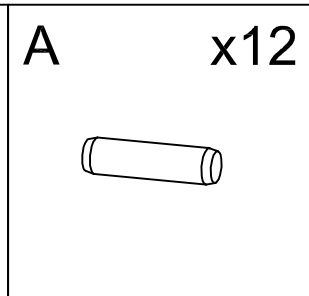
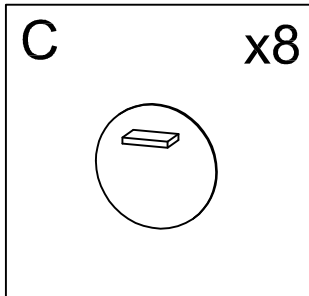
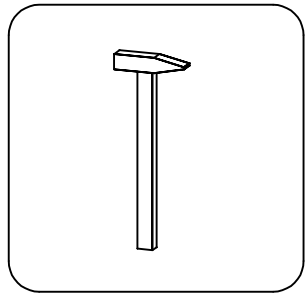
STEP.6_FN00000006			
8050002028	8050002029	8040000496	8060000856
A1 x1	B1 x1	F1 x4	G1 x4
		 TSP 3,5X25	



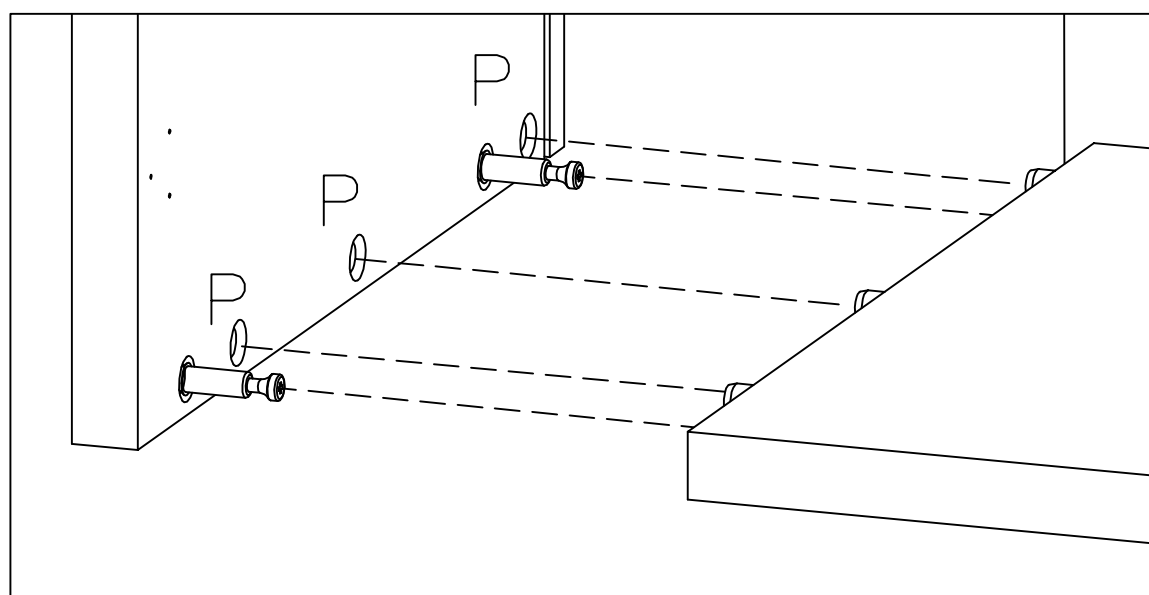
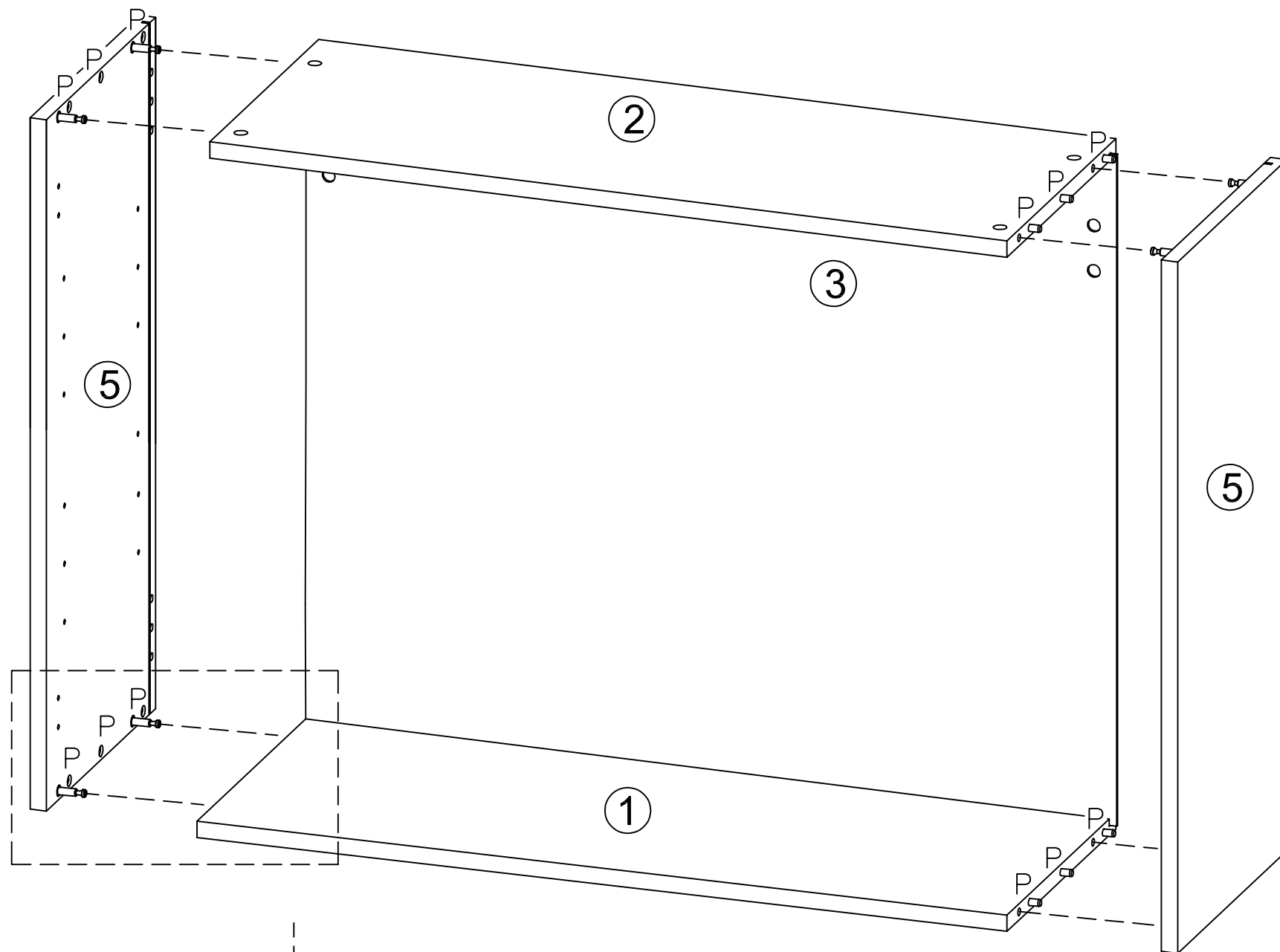
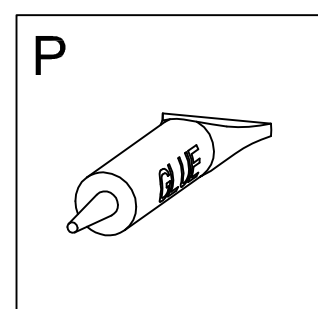
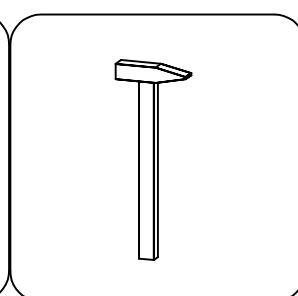
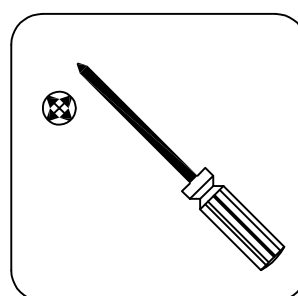
STEP.1- 01



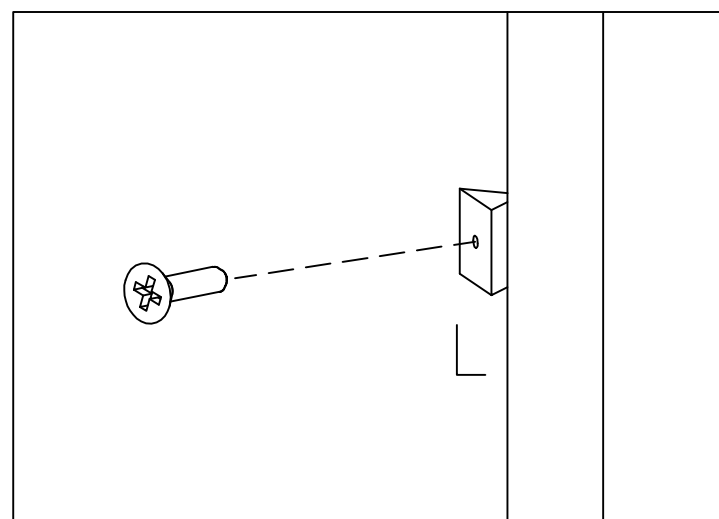
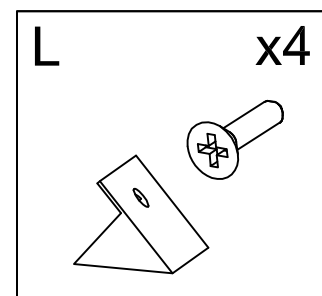
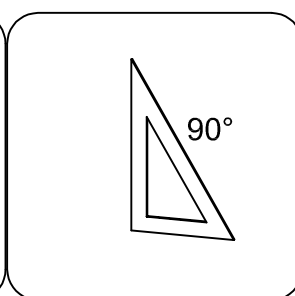
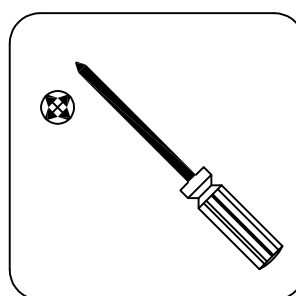
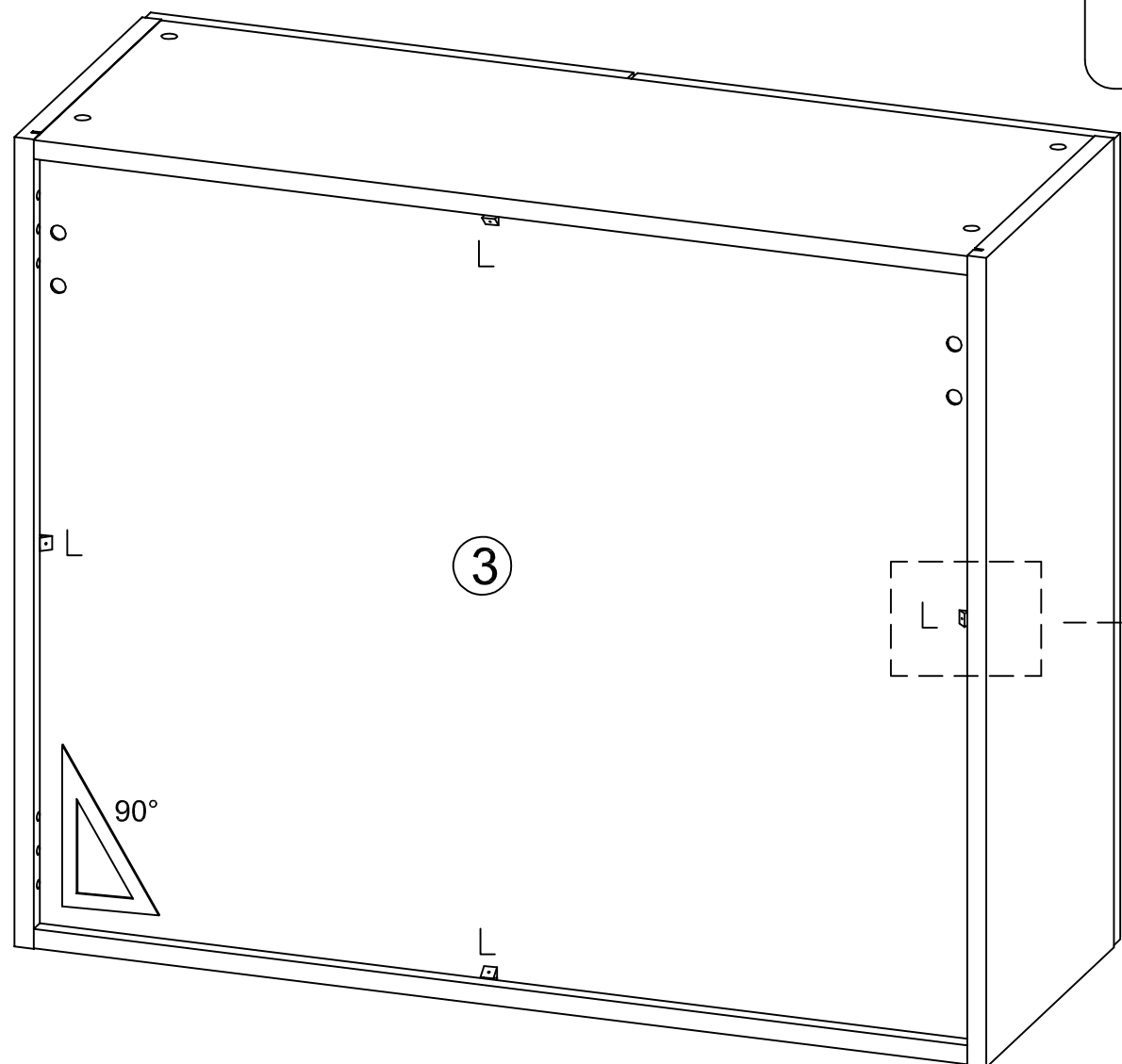
STEP.1- 02



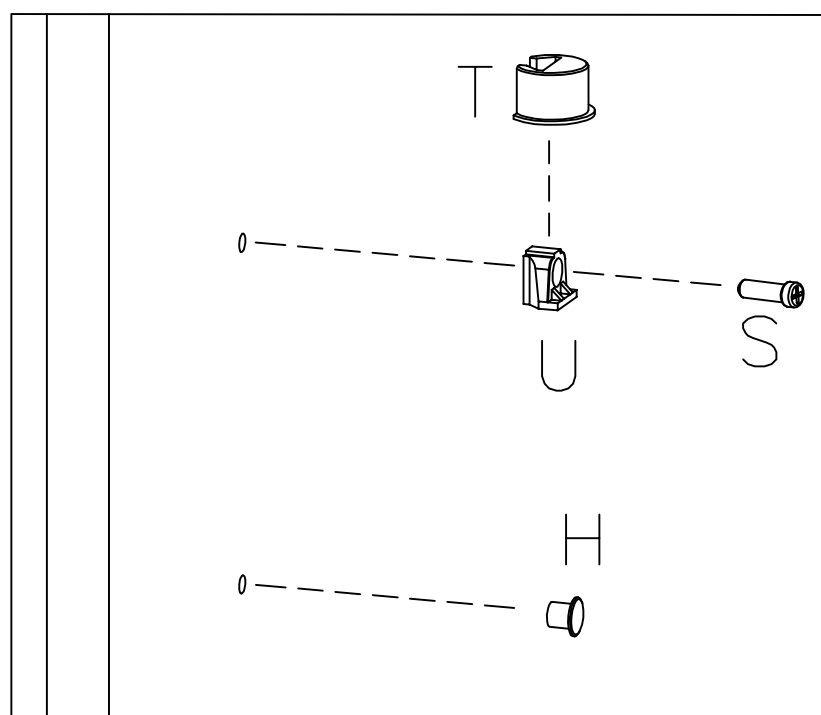
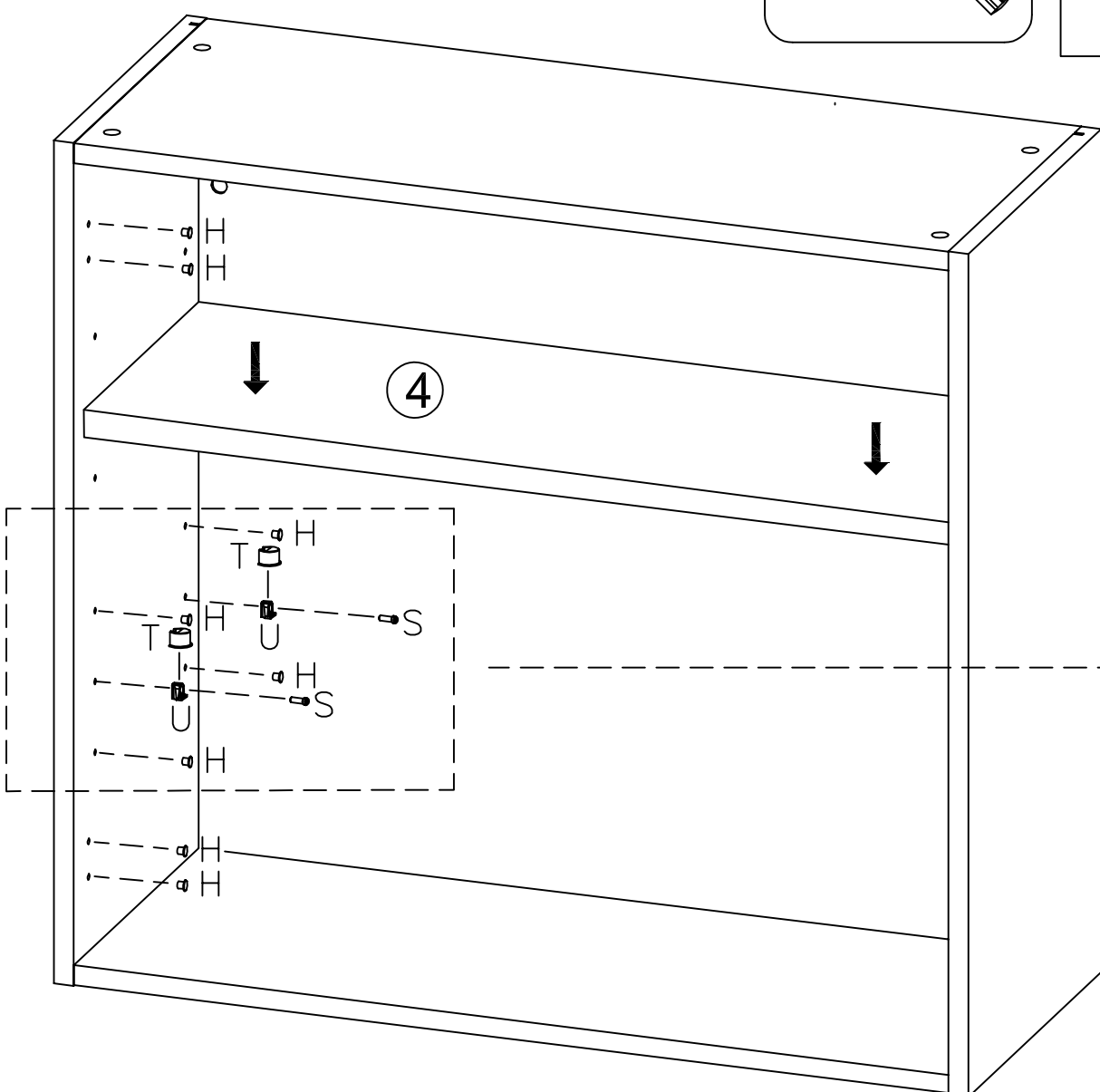
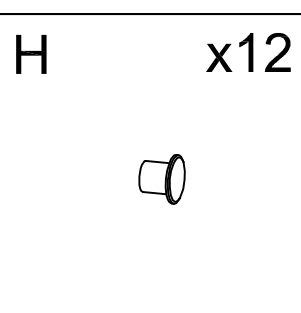
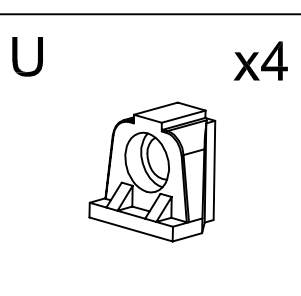
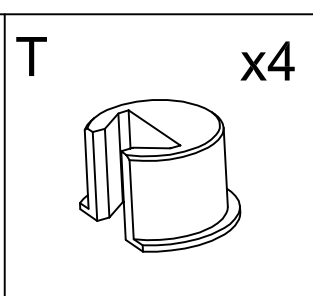
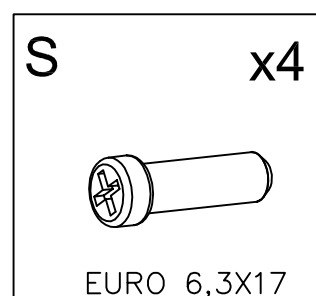
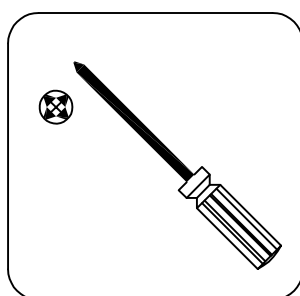
STEP.1- 03



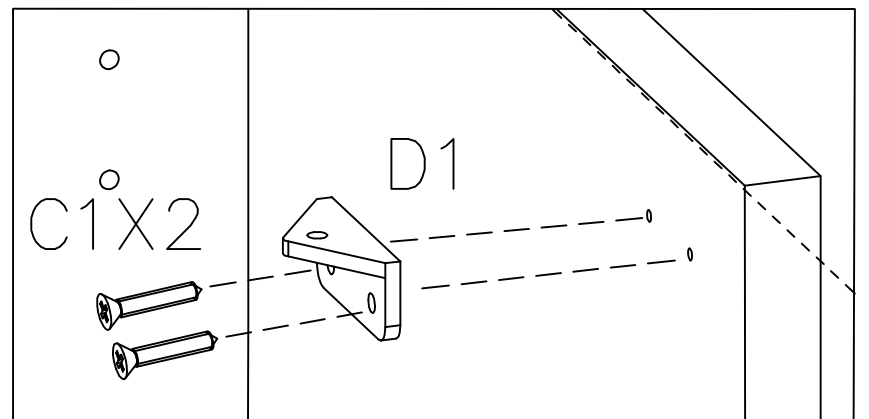
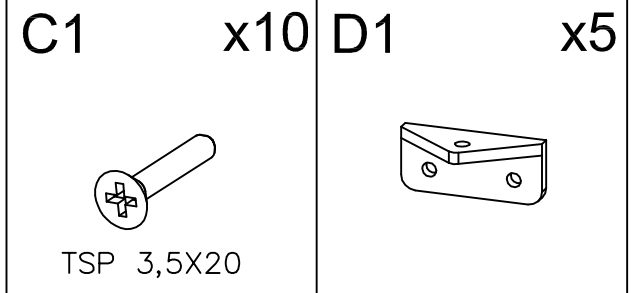
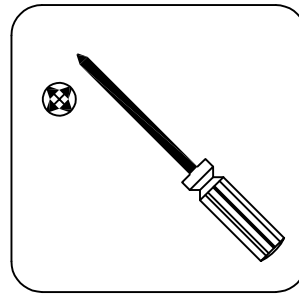
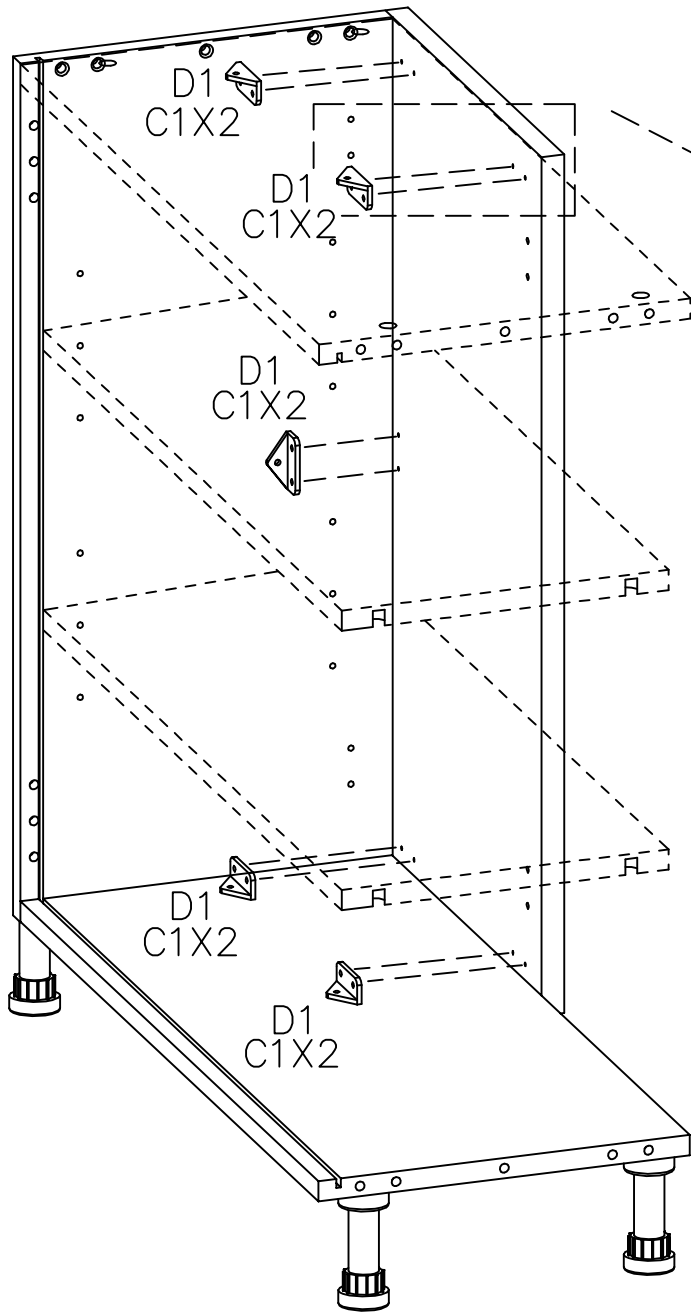
STEP.2- 01



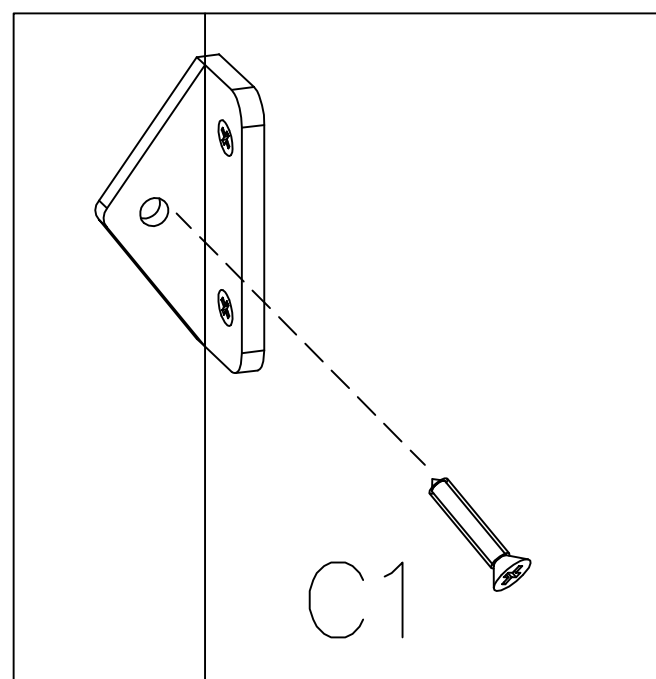
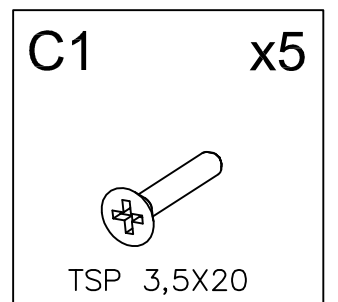
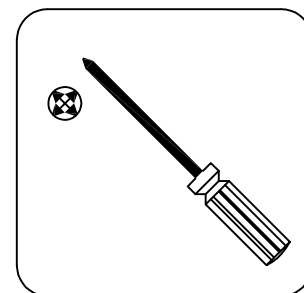
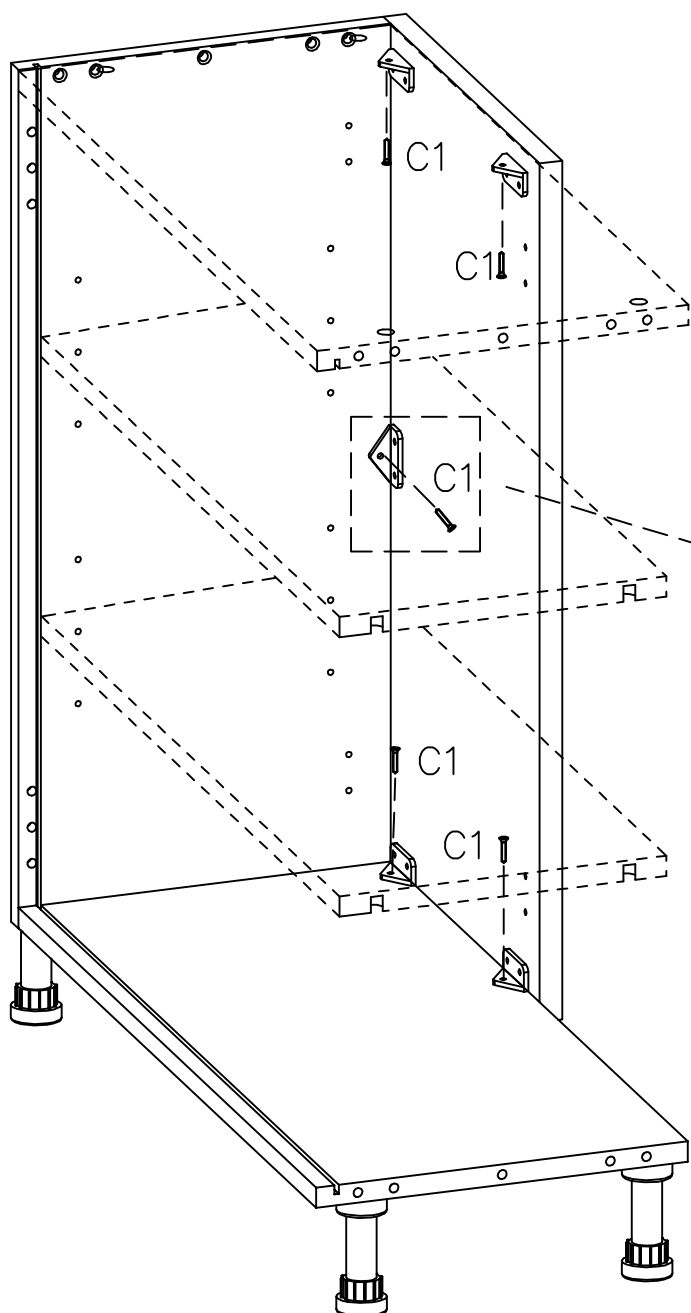
STEP.3- 01 X2



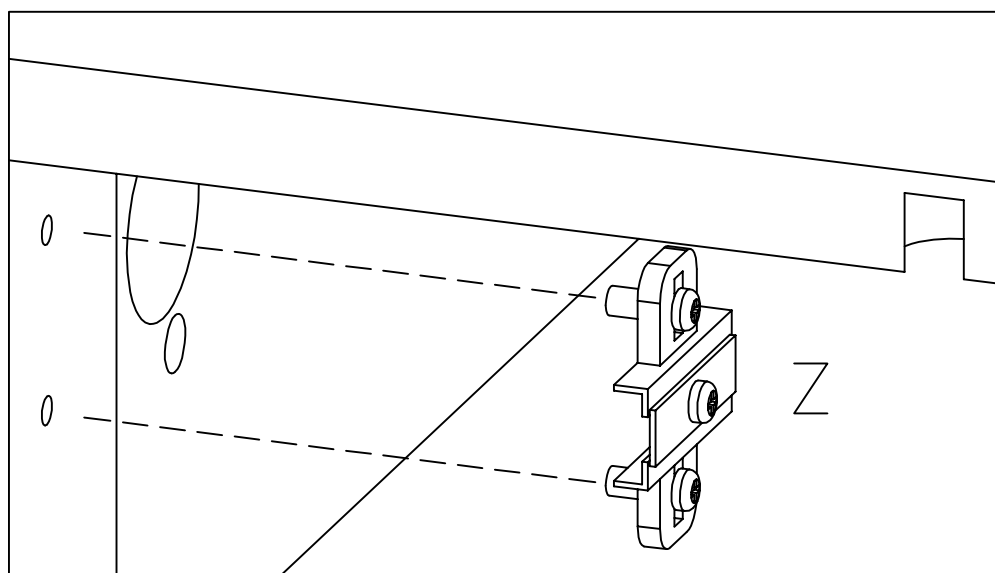
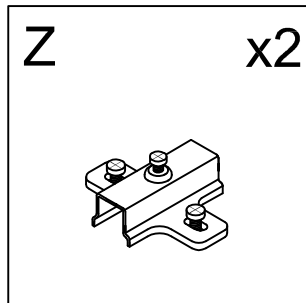
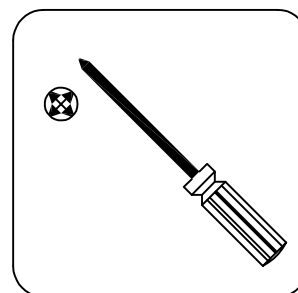
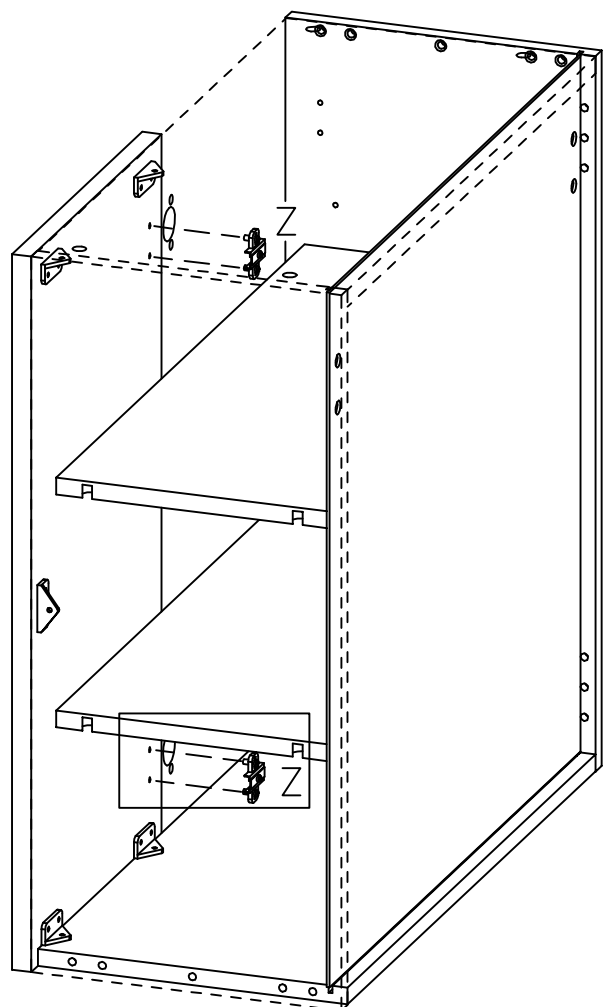
STEP.4- 01



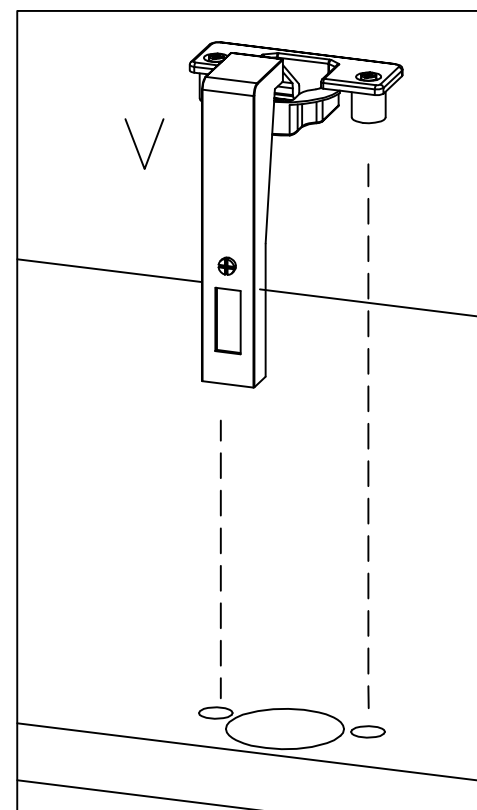
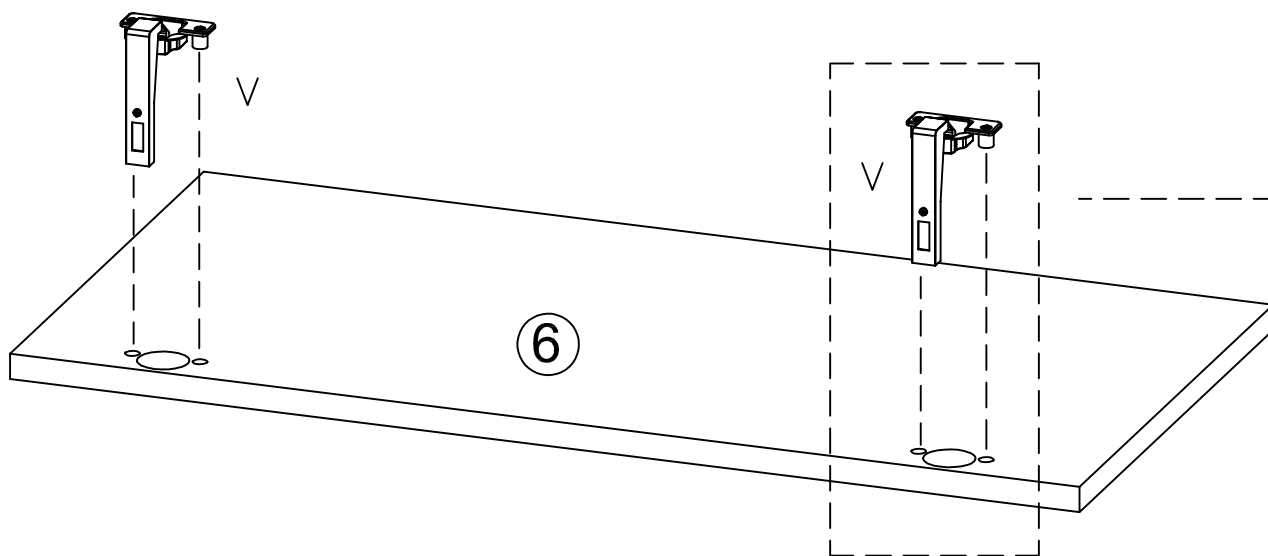
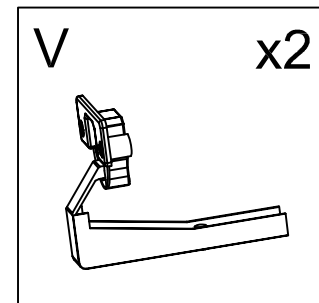
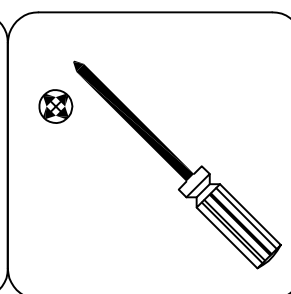
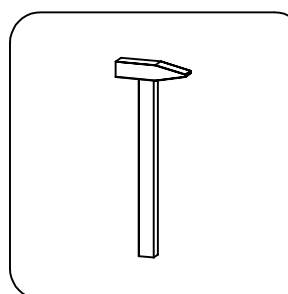
STEP.4- 02



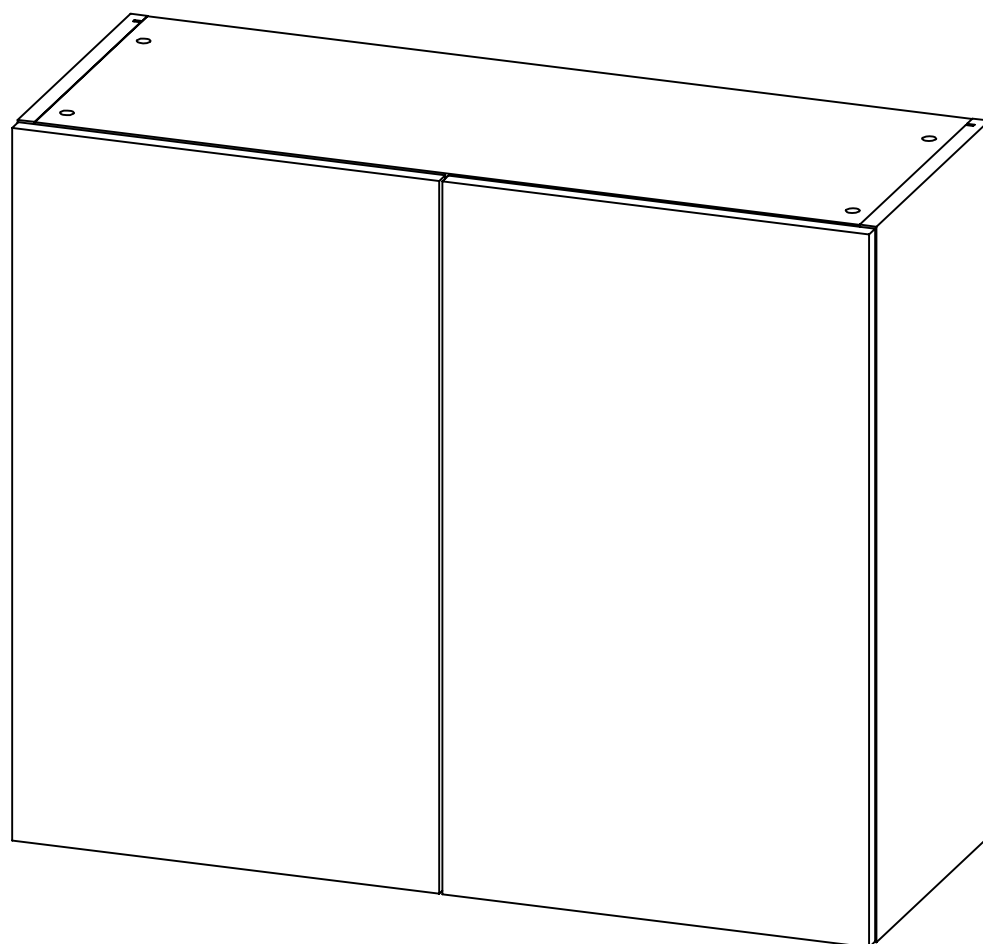
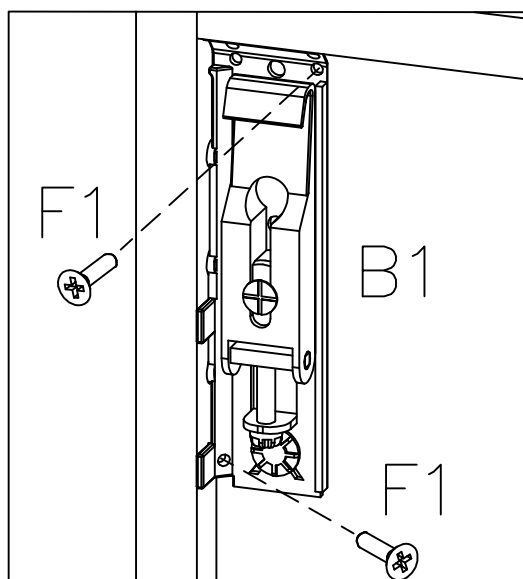
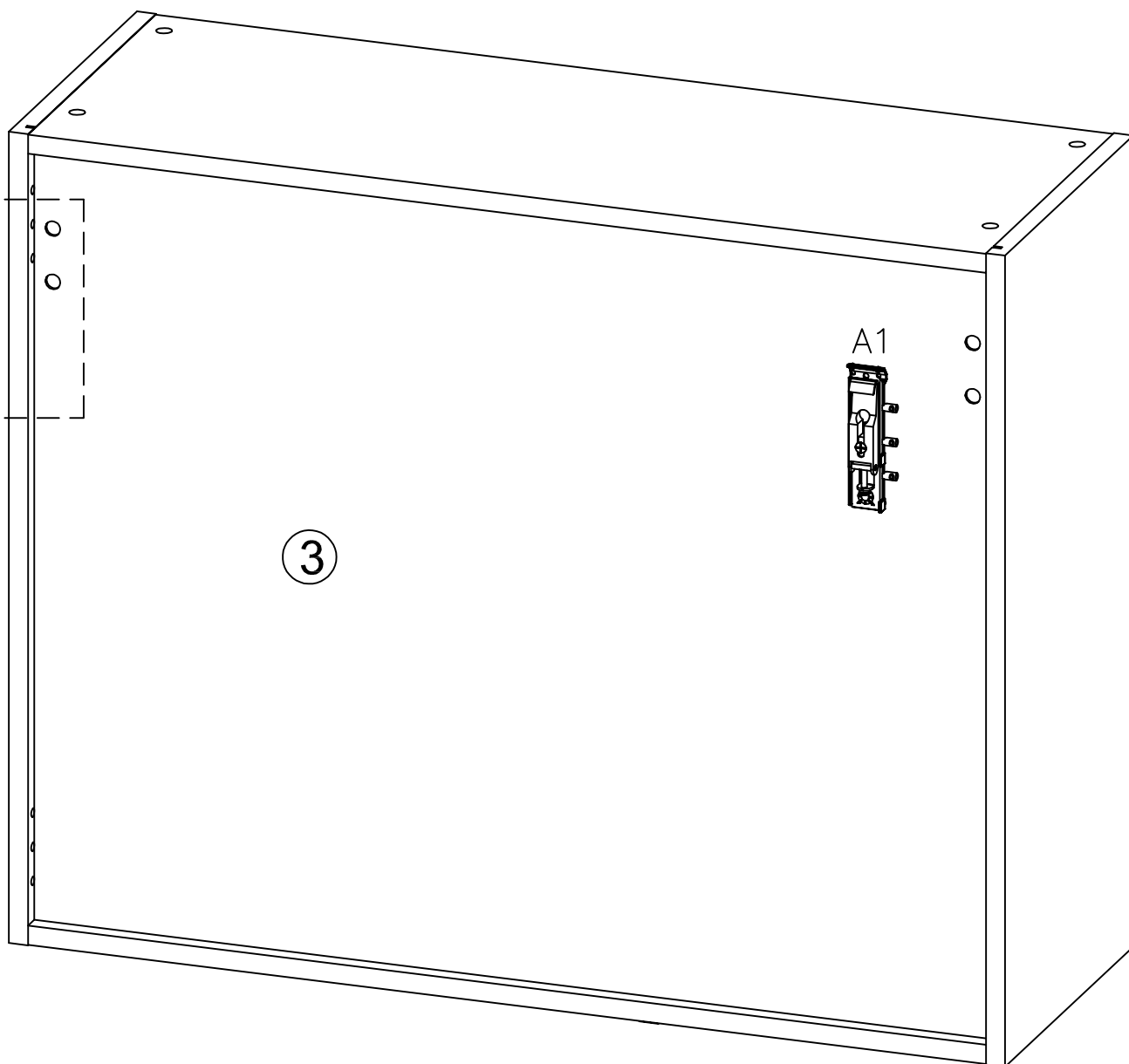
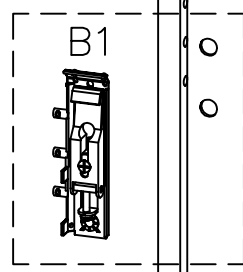
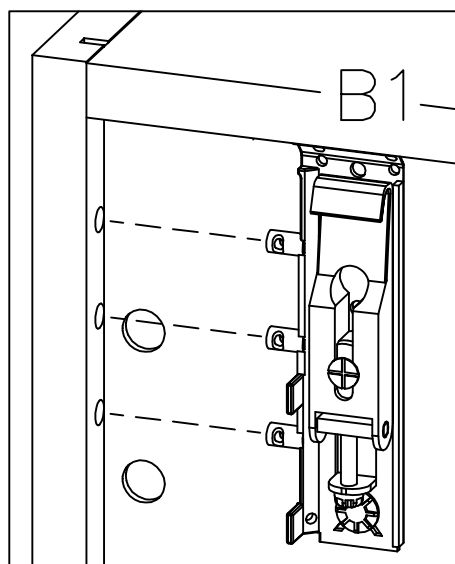
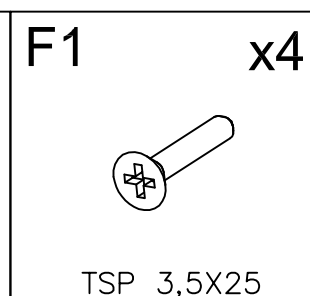
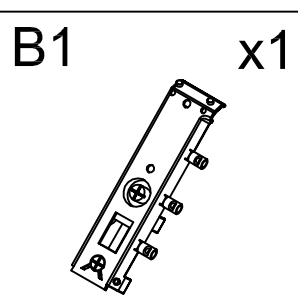
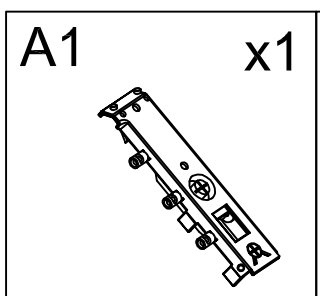
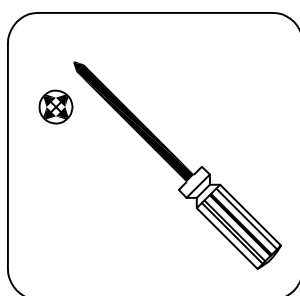
STEP.5- 01

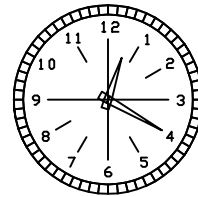
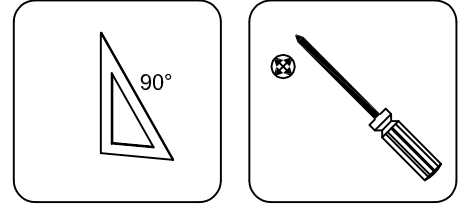
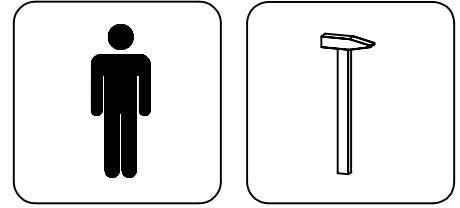
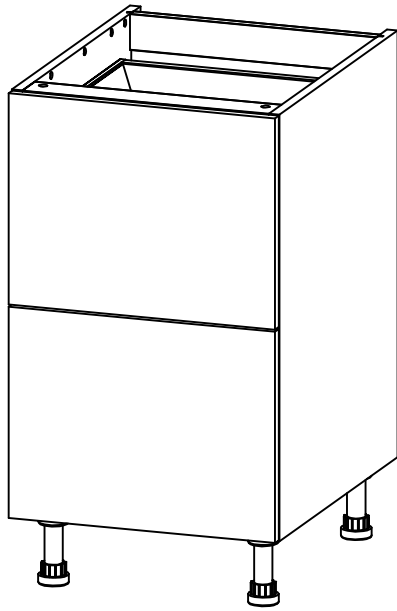


STEP.5- 02



STEP.6- 01





45'

STEP.1_F712000001

8060000411	8060000412
Q x4	R x4

FN00000009K

STEP.2_FN00000009A

8140000013	8060000880	8060000439	8040001145	8040001144
A x10	B x10	C x8	D x8	E x8

8230300014
P x1





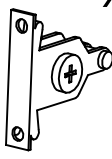




STEP.3_FN00000009B

8040000762	8060000156
L x10	G x6






STEP.4_FN00000009C

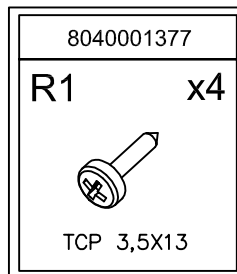
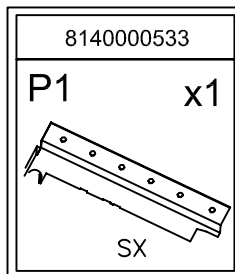
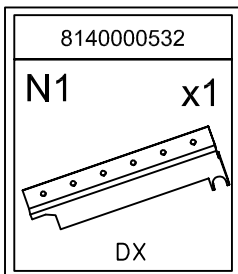
8060000005	8060000010
M x24	N x2
TGS 3,5X15	

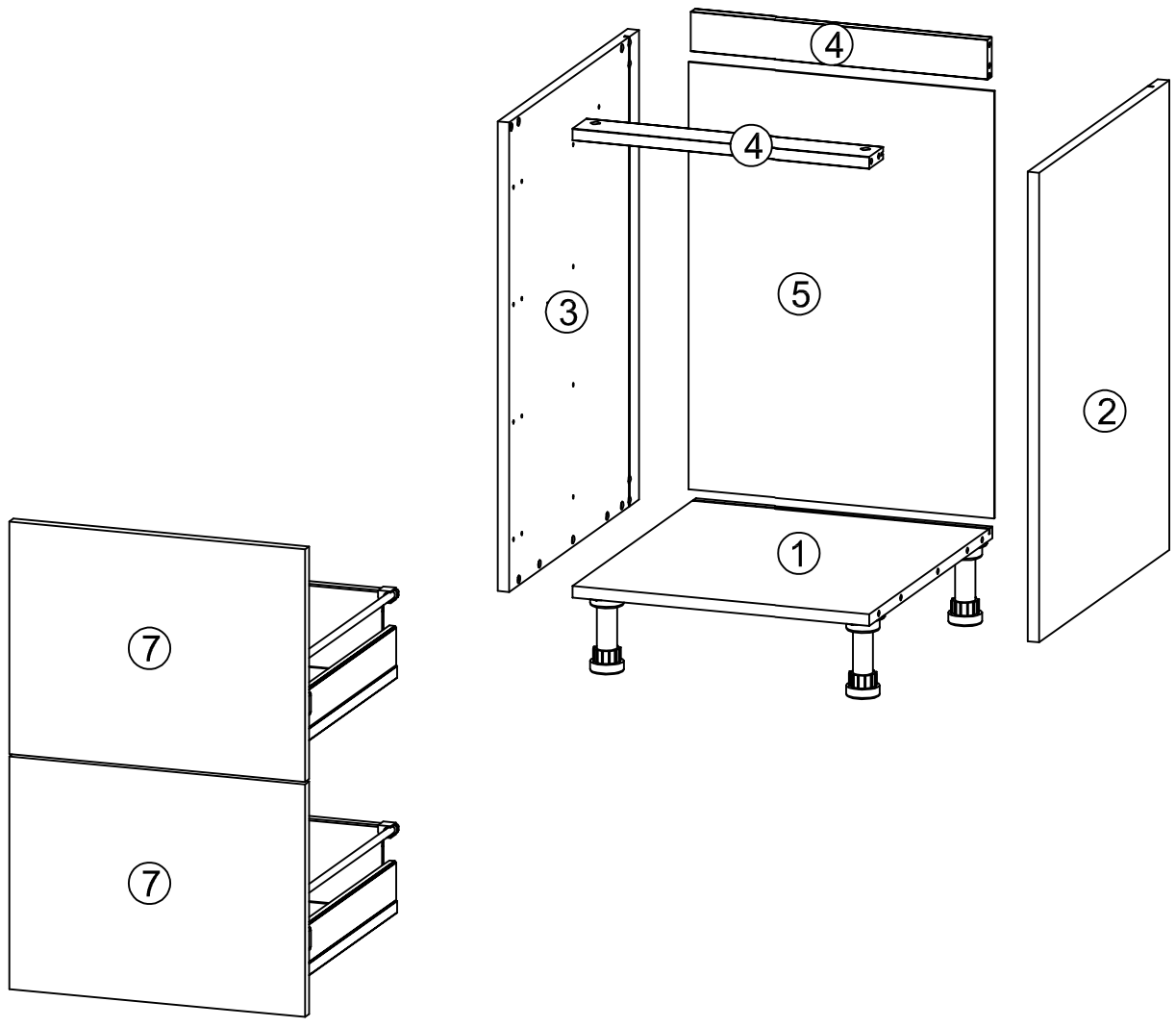
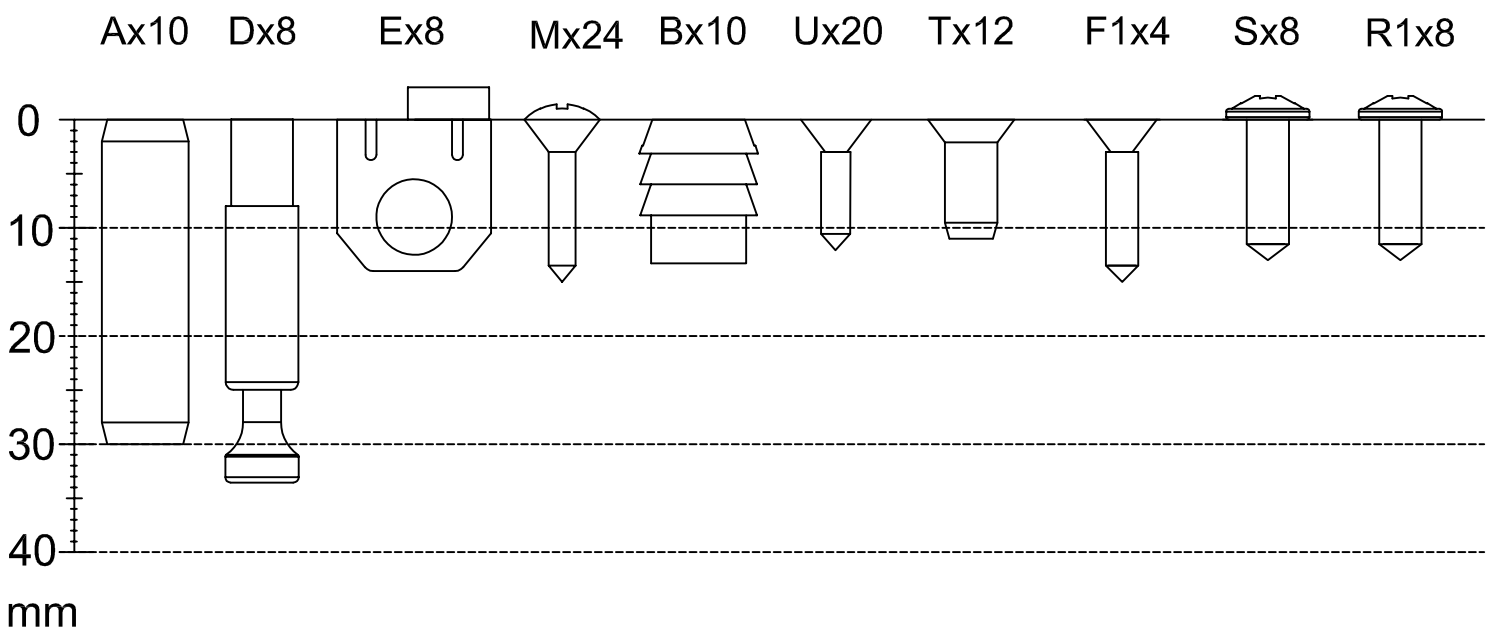
STEP.5_814000534 X2

8040001362	8040000021	8040000771	8060000625	8060000693
S x4	T x6	U x10	V x2	Z x2
 TCP 3,9X13	 EURO 6,3X11	 TSP 3,5X12		
8140000535	8140000536	8140000537	8140000538	
A1 x1	B1 x1	C1 x1	D1 x1	
 DX	 SX	 DX	 SX	

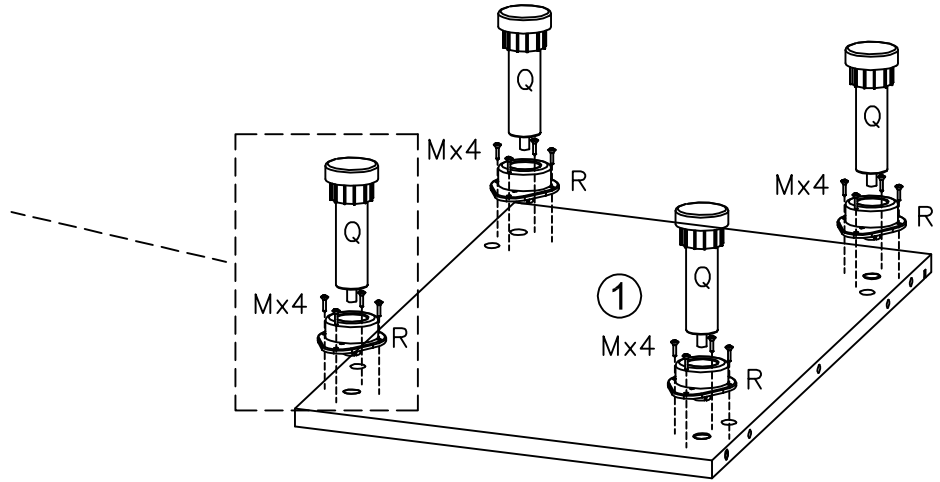
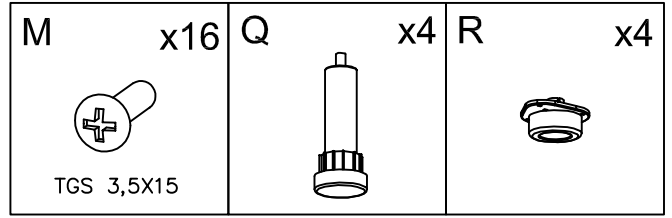
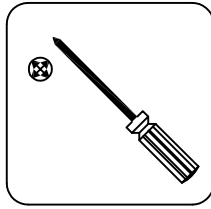
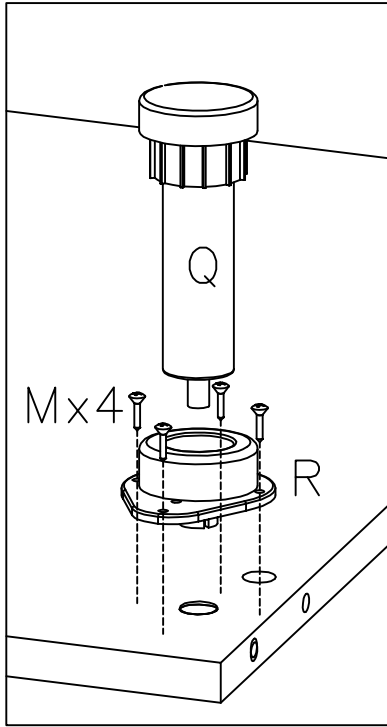
STEP.6_814000547 X2

8040000045	8040000515	8040000516	8040000520	80400000548
F1 x2	G1 x2	H1 x2	L1 x2	M1 x2
 TSP 3,5X15			 D10	

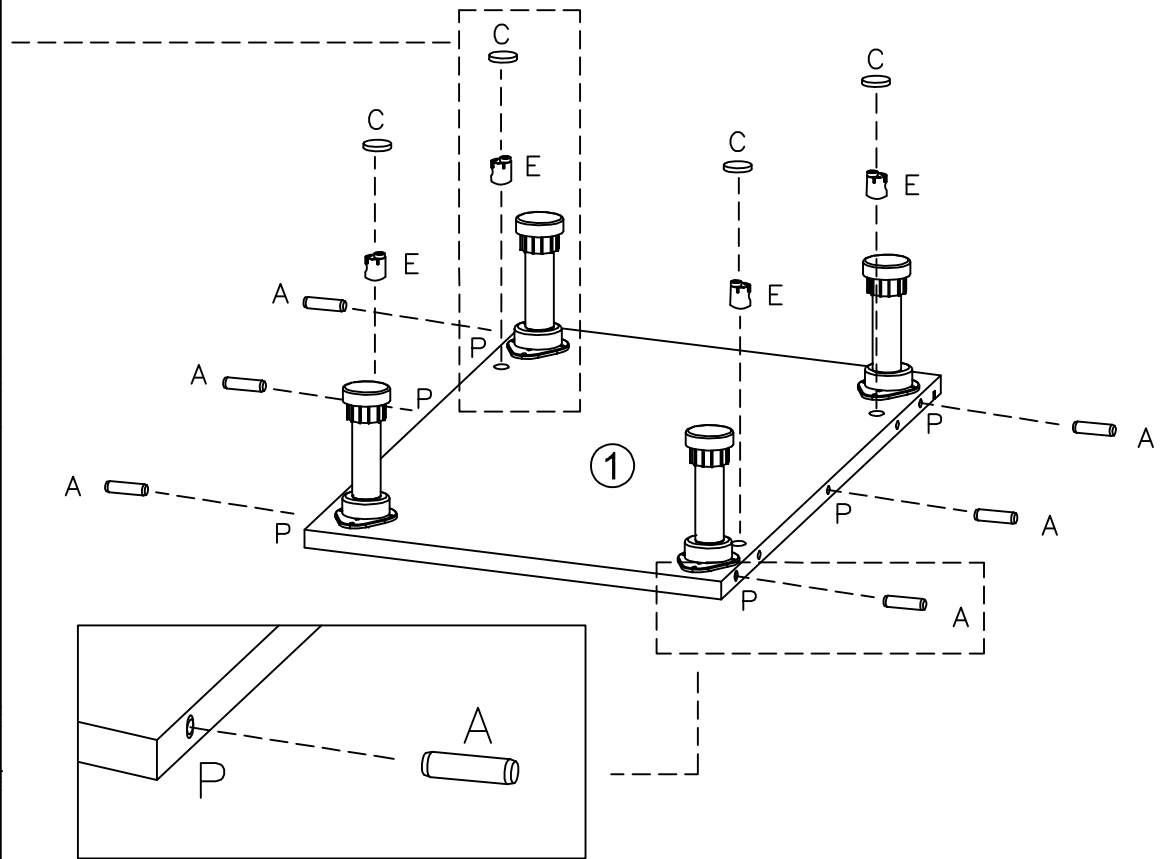
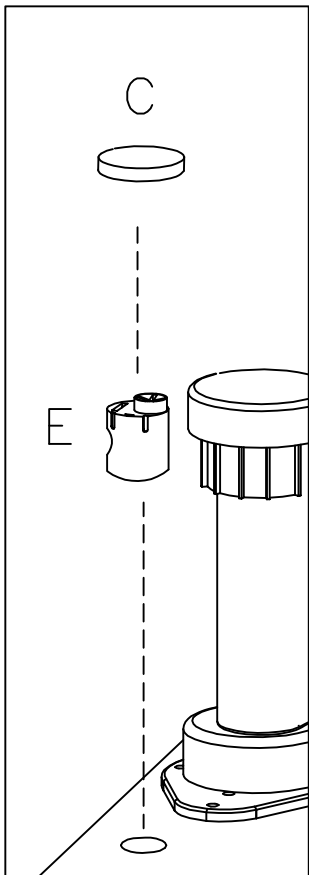
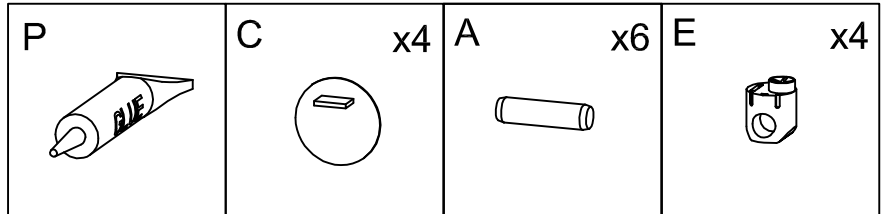




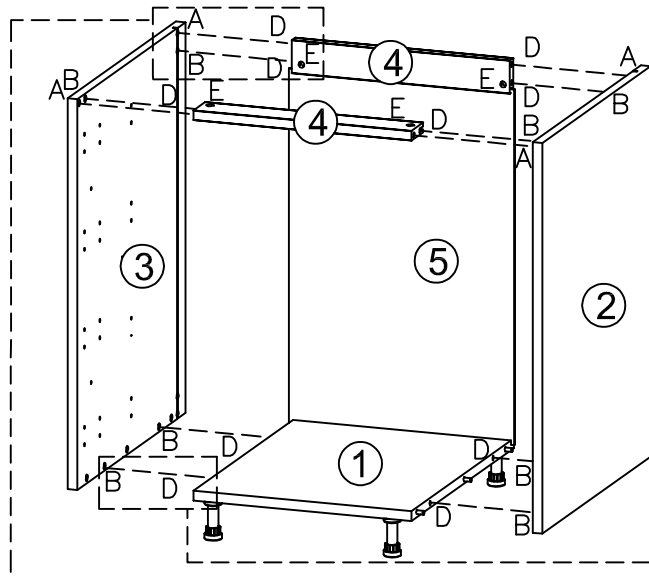
STEP.1 - 01



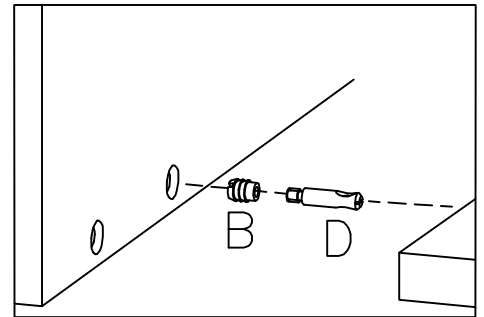
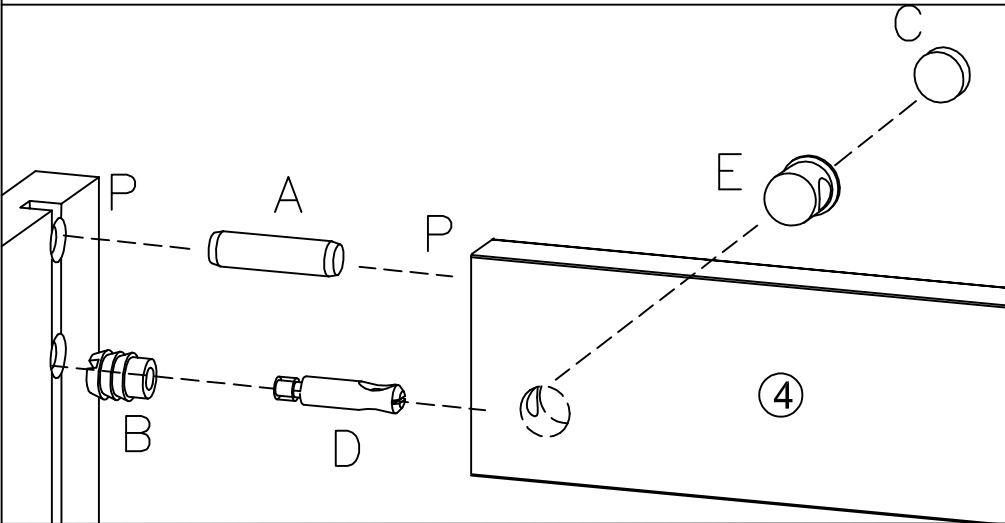
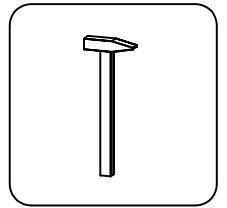
STEP.2- 01



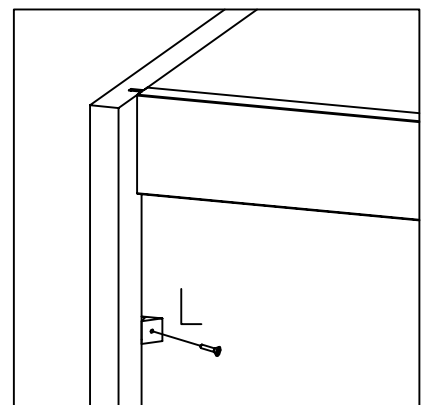
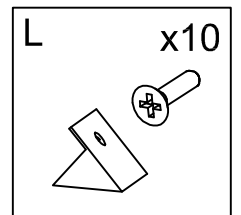
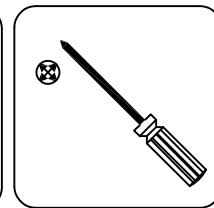
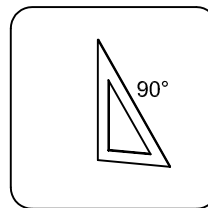
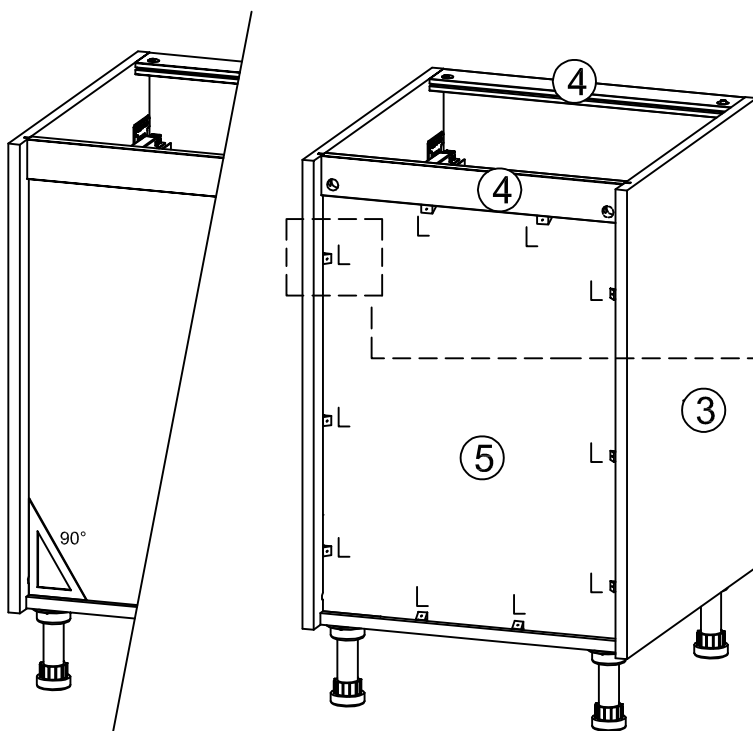
STEP.2- 02



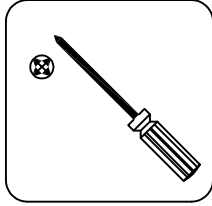
C x4 	A x4 	E x4
B X8 	D x6 	P



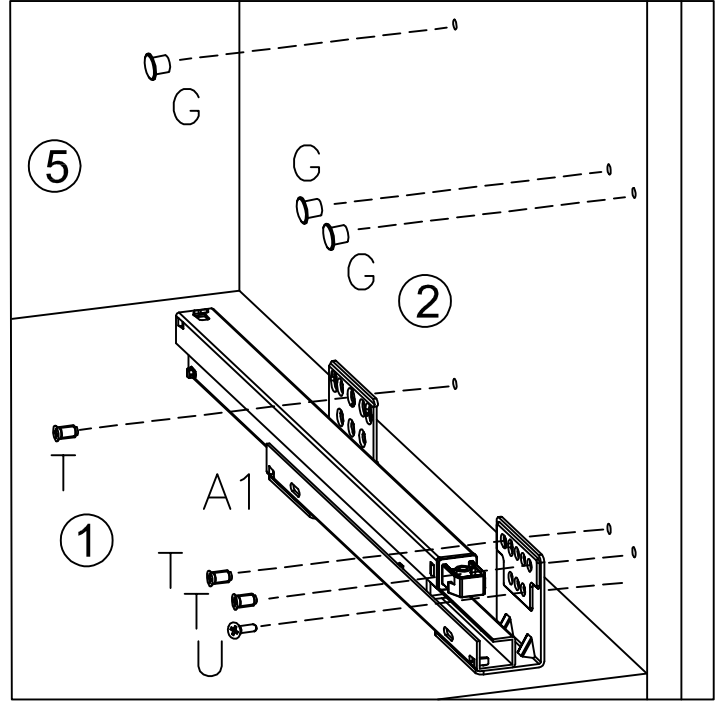
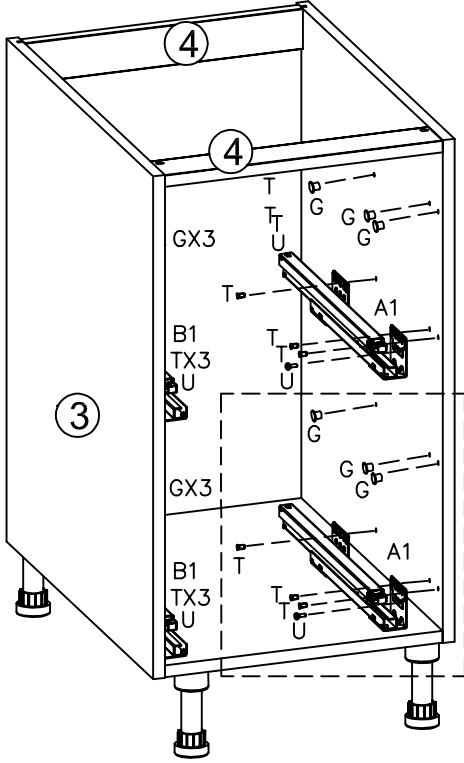
STEP.3- 01



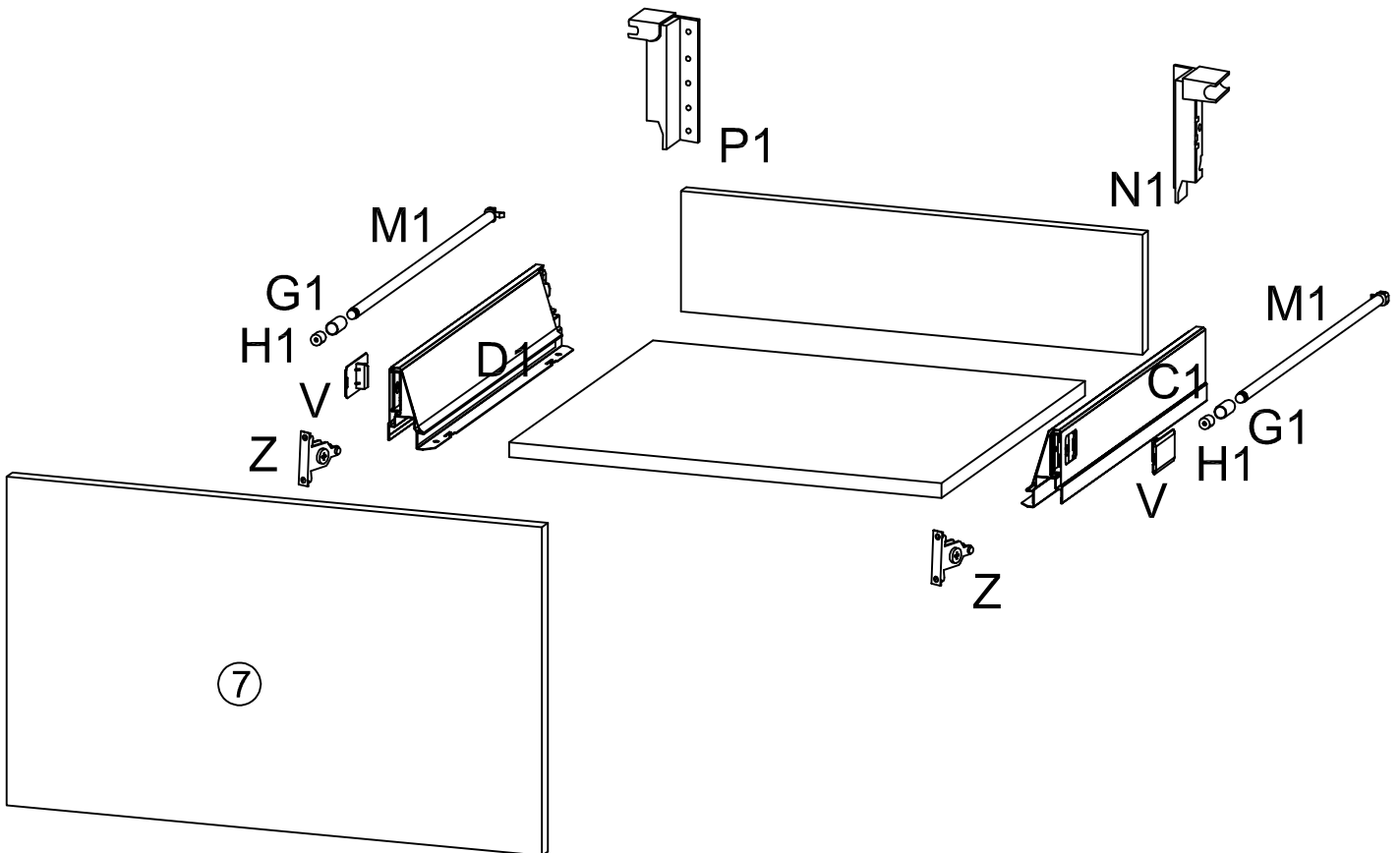
STEP.5- 01



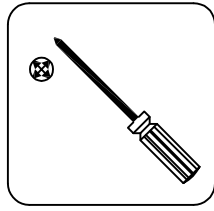
U	x4	G	x12	T	x12	B1	x2	A1	x2
TSP 3.5X12				EURO 6.3X11		SX		DX	



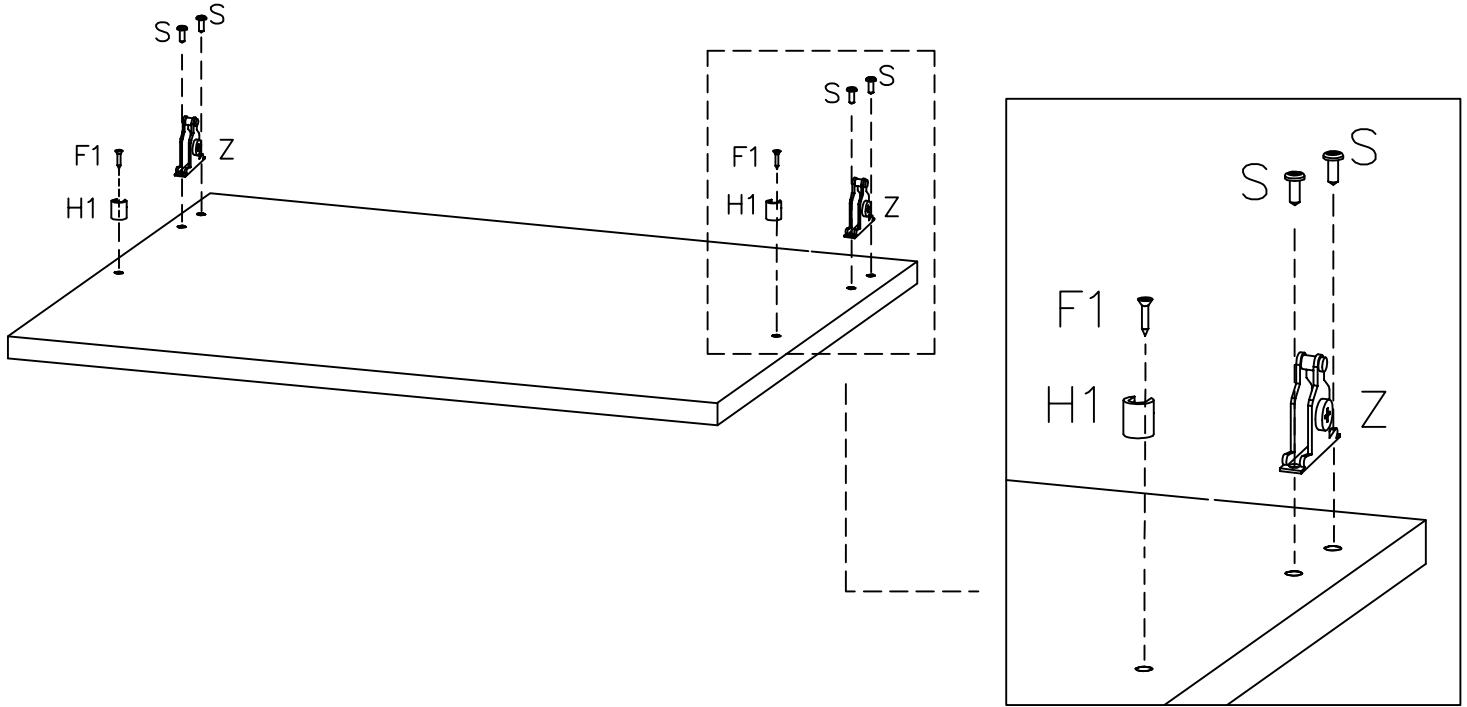
STEP.5- 02 X2



STEP.5- 03 X2

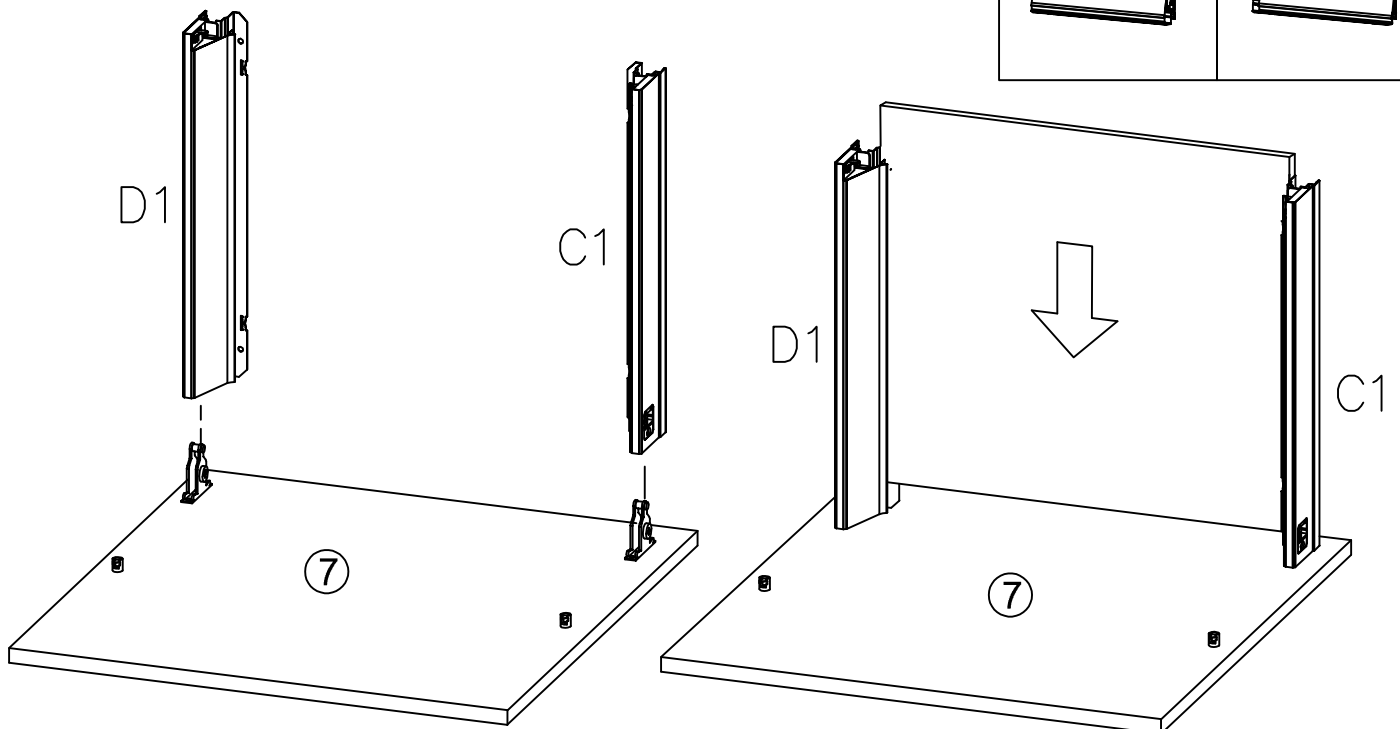


F1	x2	H1	x2	Z	x2	S	x4
TSP 3X15						TCP 3.9X13	

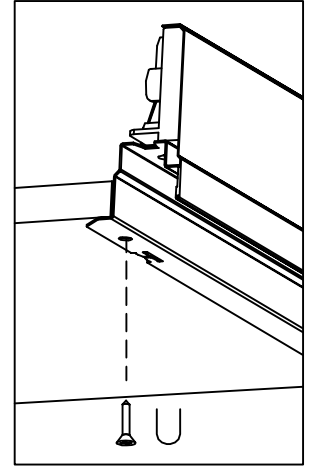
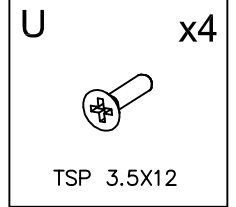
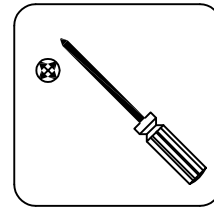
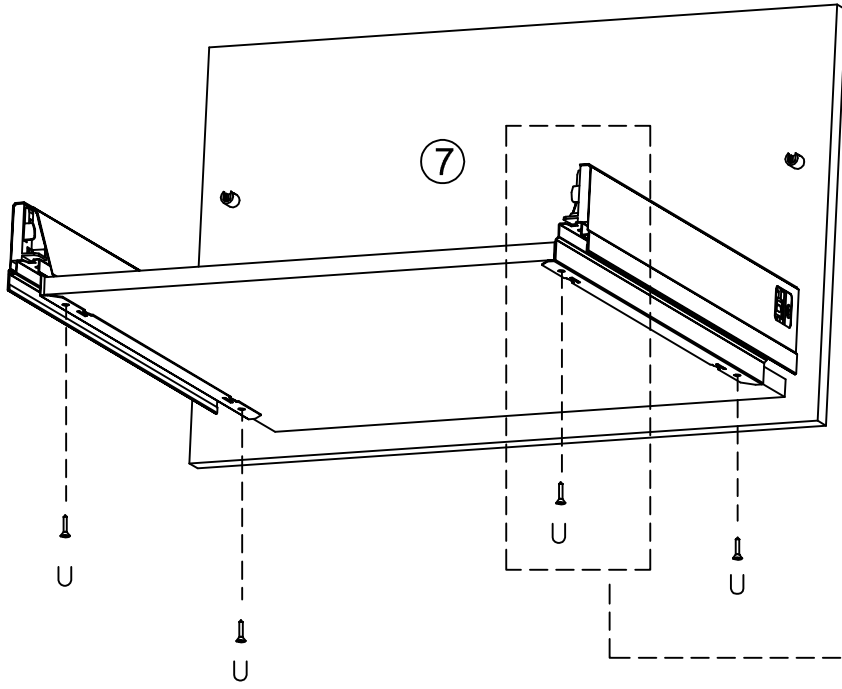


STEP.5- 04 X2

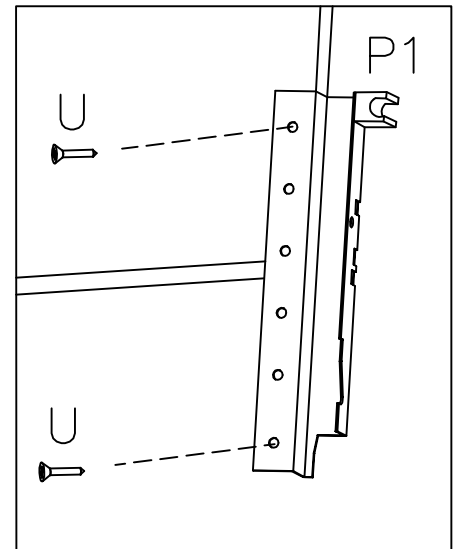
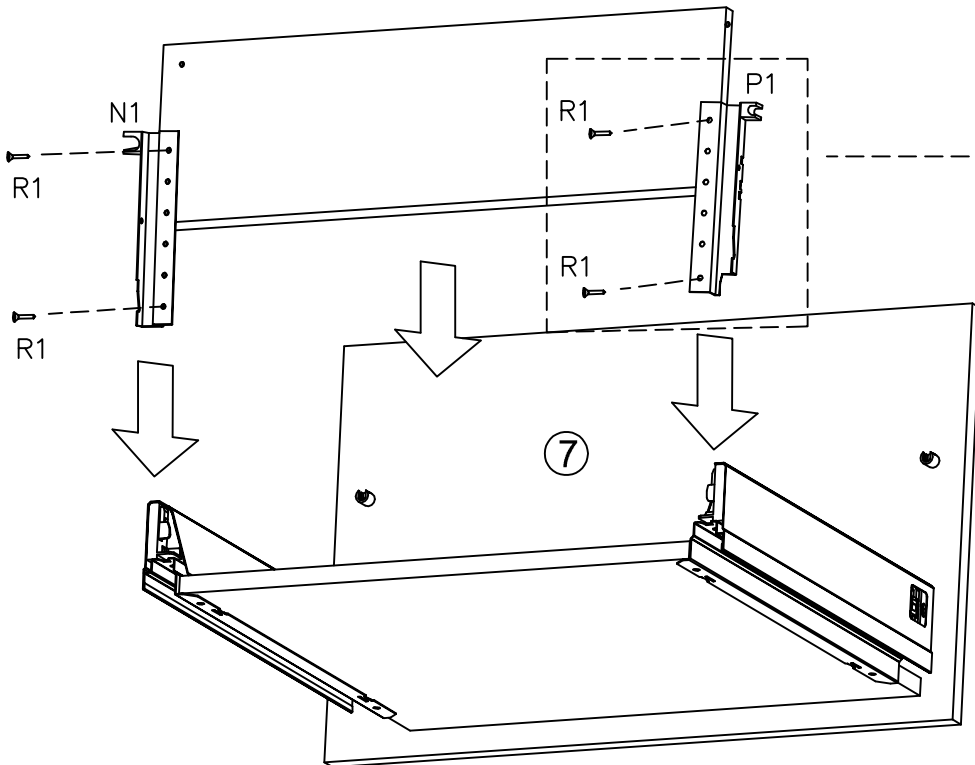
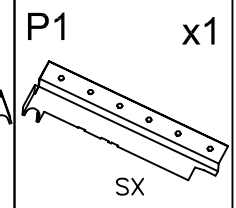
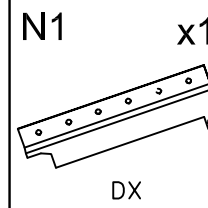
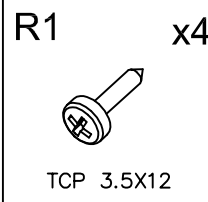
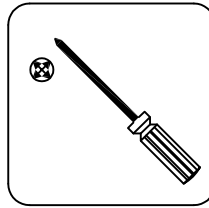
D1	x1	C1	x1



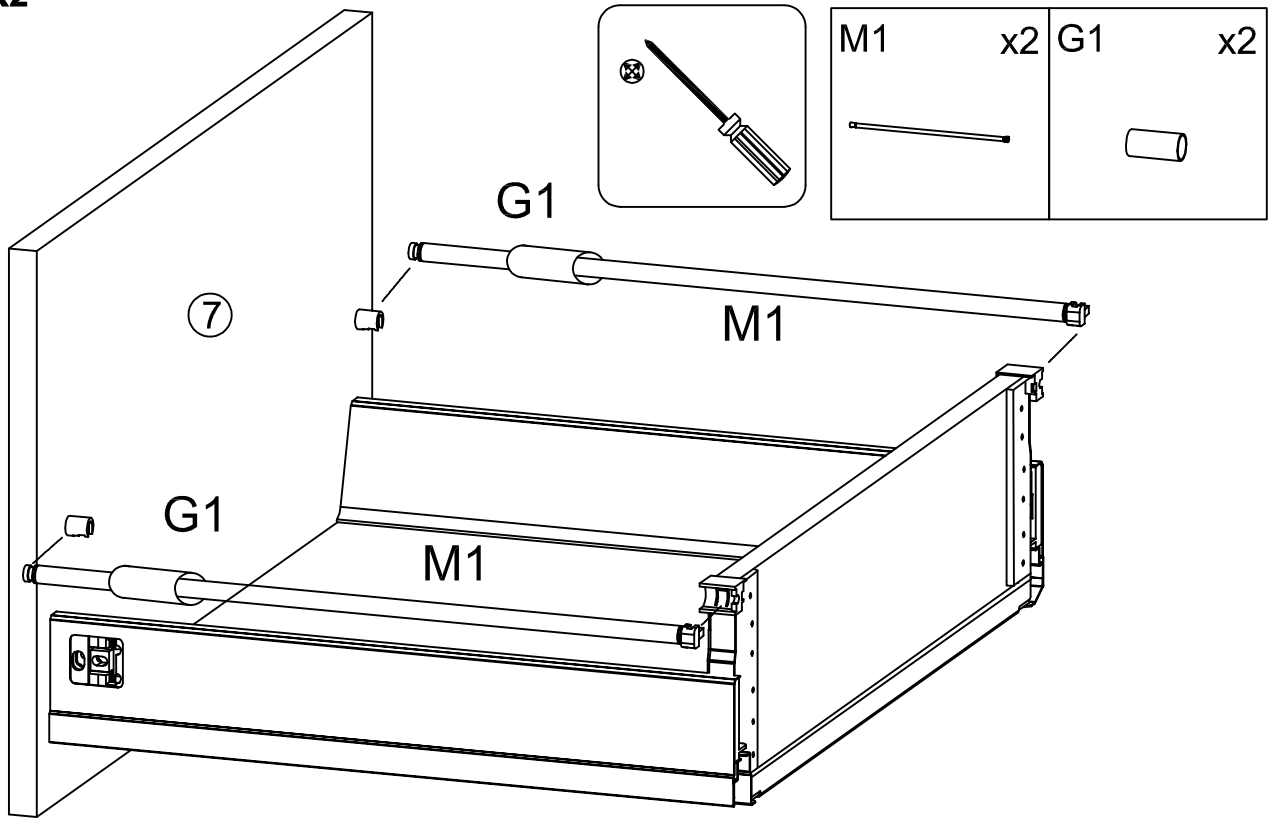
STEP.5- 05 X2



STEP.6- 01 X2

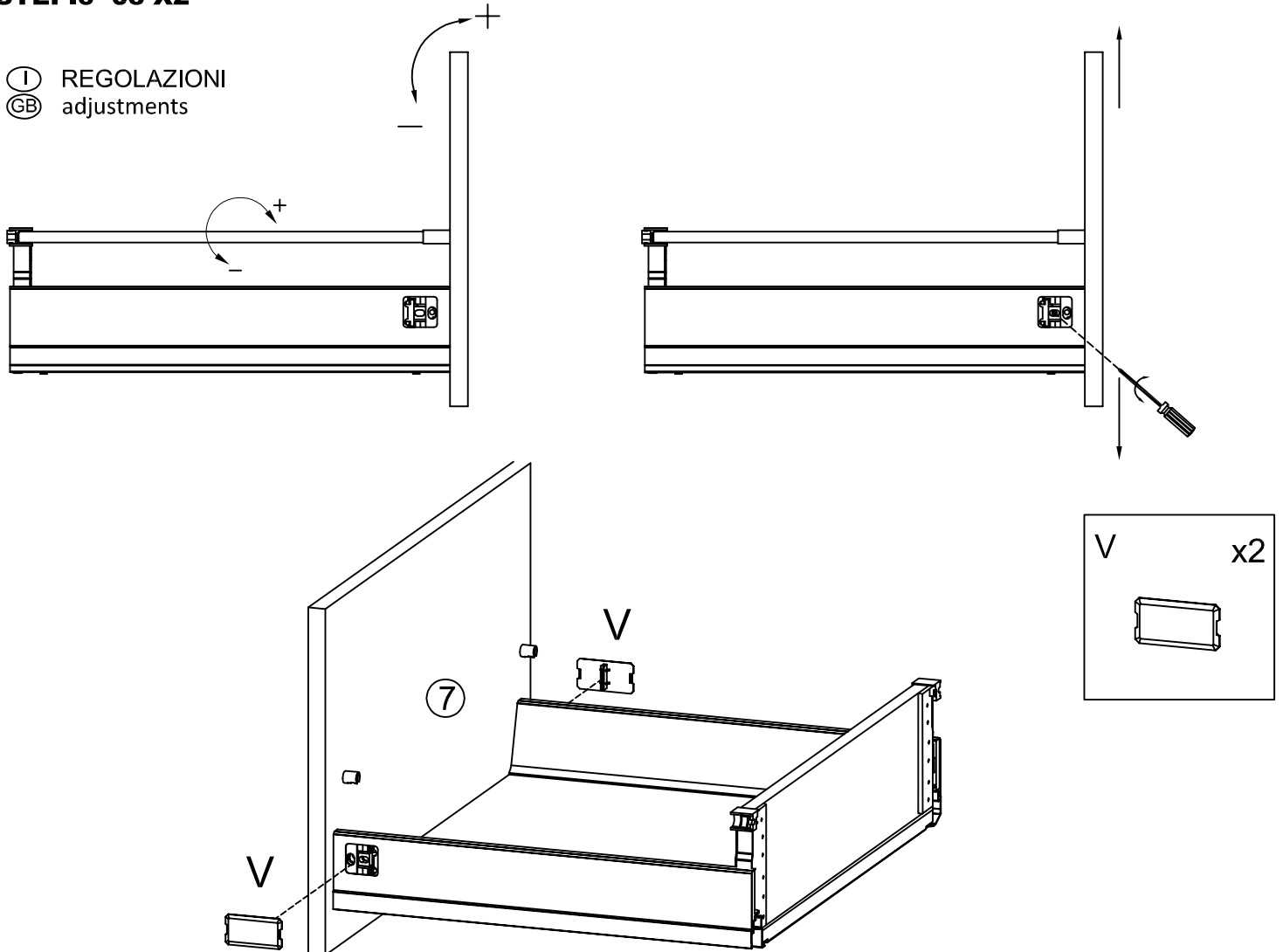


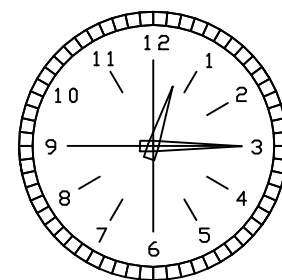
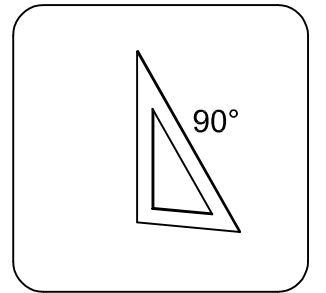
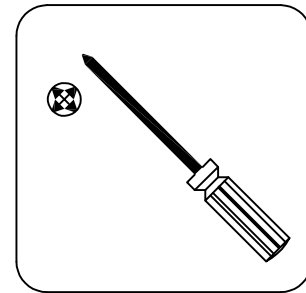
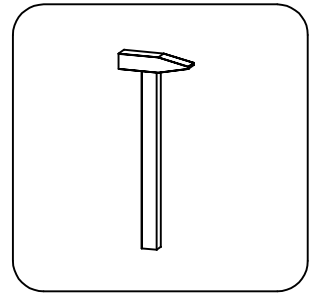
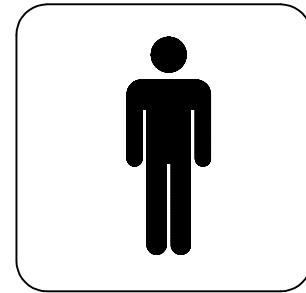
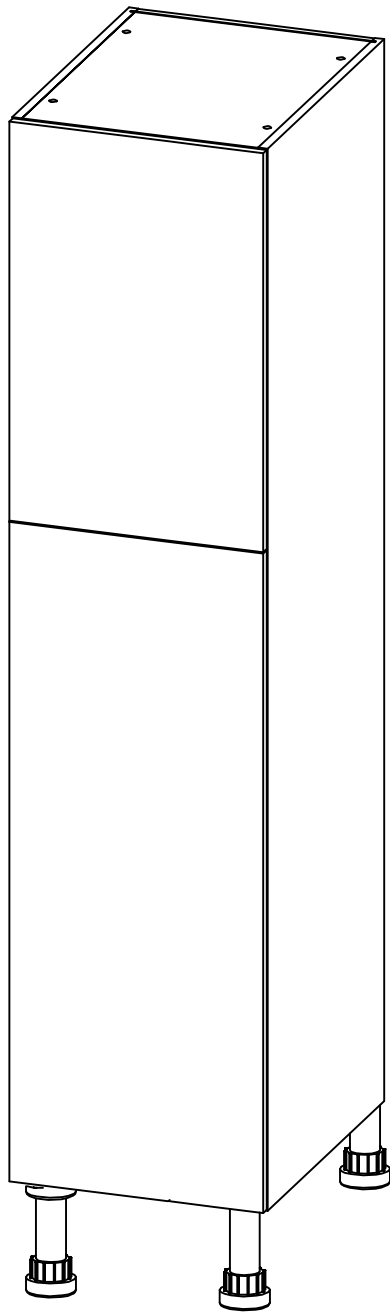
STEP.6- 02 X2



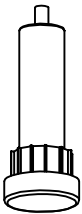

STEP.6- 03 X2

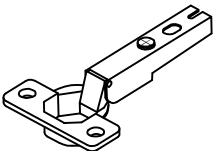
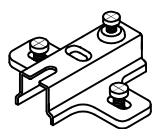
① REGOLAZIONI
② adjustments

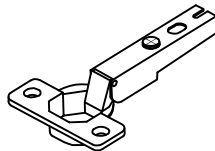
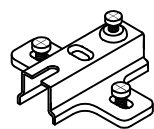


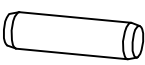

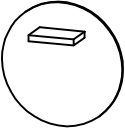
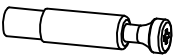




30'

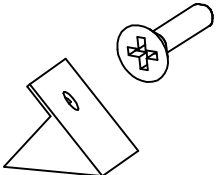


STEP.1_F712000001			
8060000411	8060000412		
Q	x4	R	x4
			

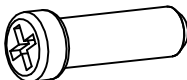
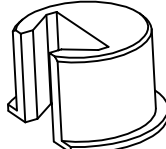

STEP.5_H000000139			
8040001375	8040001376		
V	x2	Z	x2
			

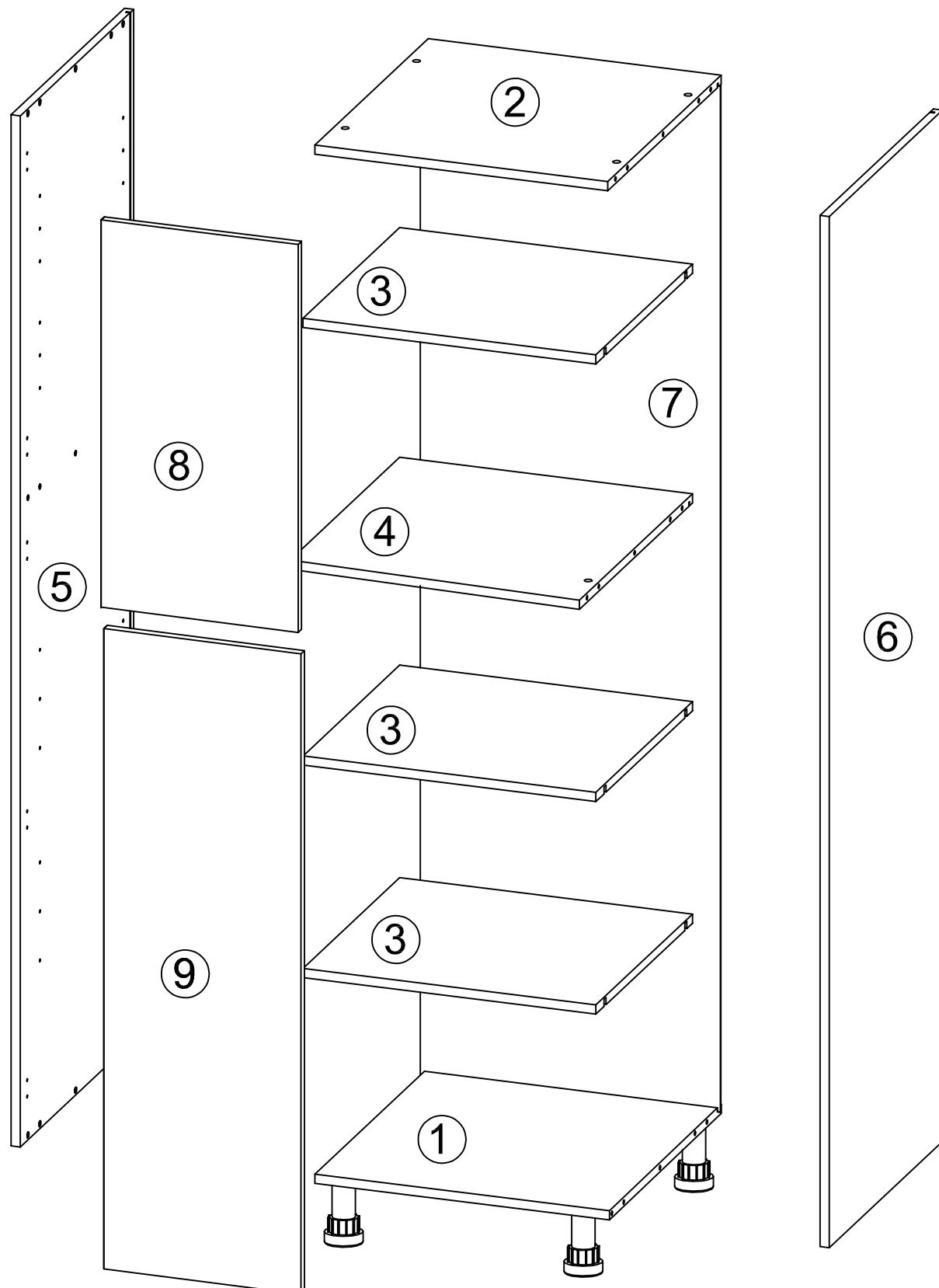
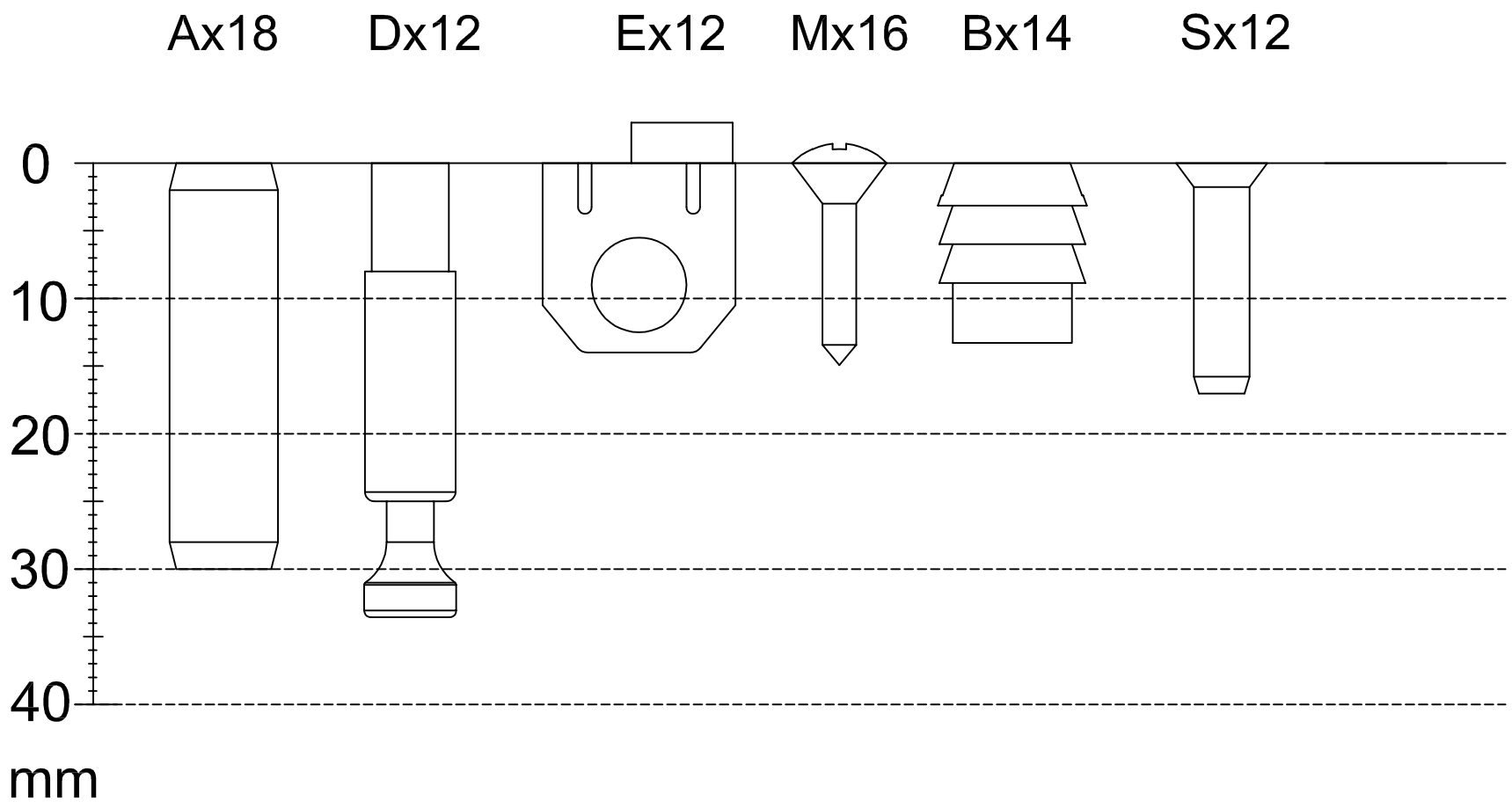
STEP.5_H000000141			
8040001375	8040001376		
V	x3	Z	x3
			

FN00000018K				
STEP.2_FN00000018A				
8140000013	8060000880	8060000439	8040001145	8040001144
A	x18	B	x14	C
				
			D	x12
				
			E	x12
				

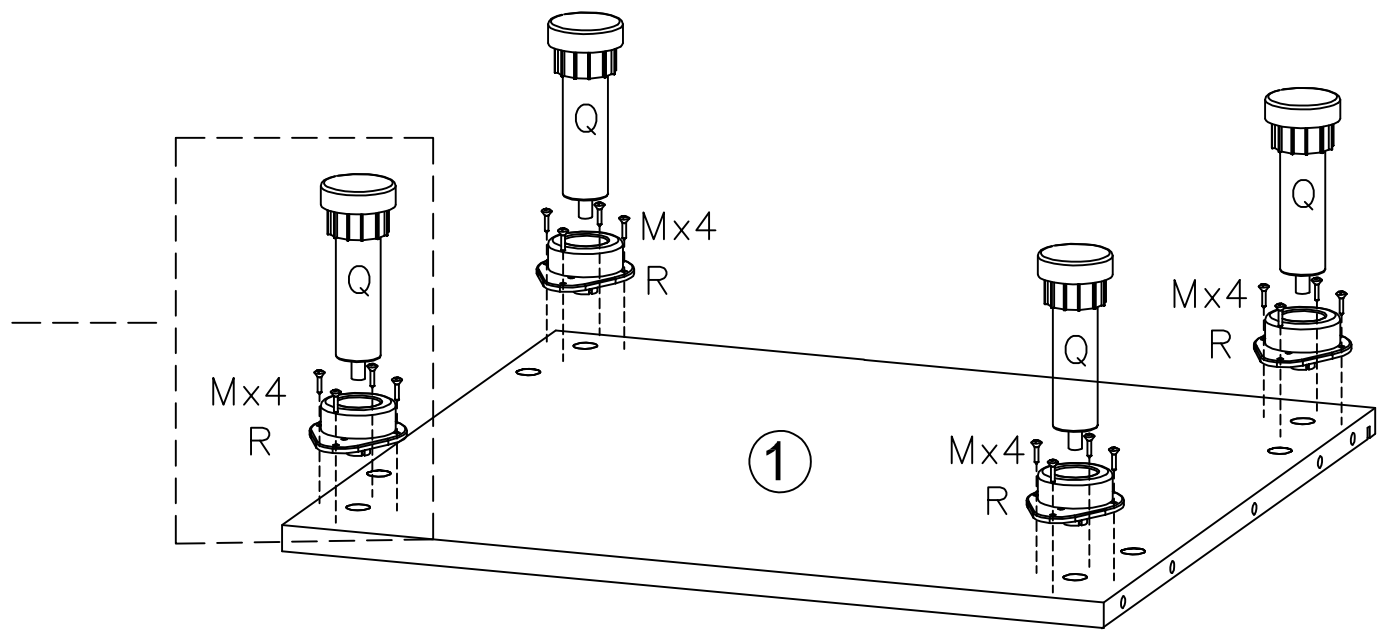
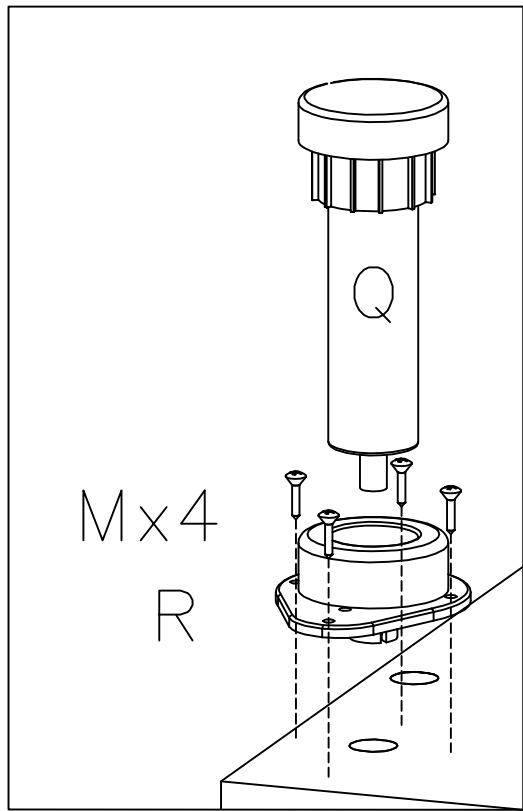
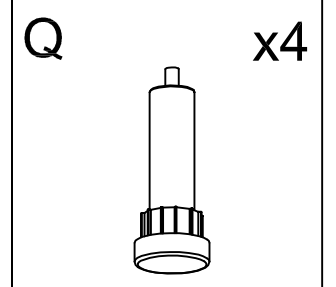
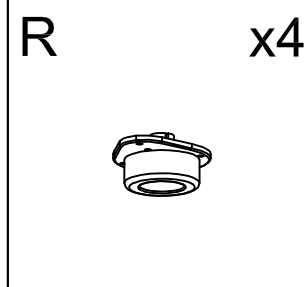
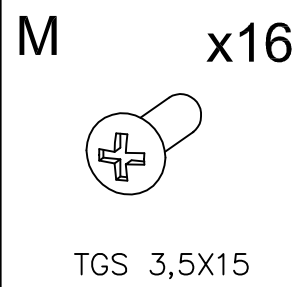
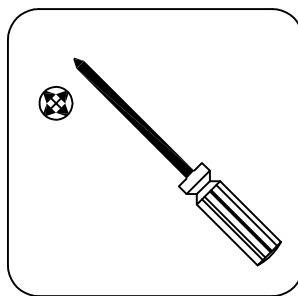
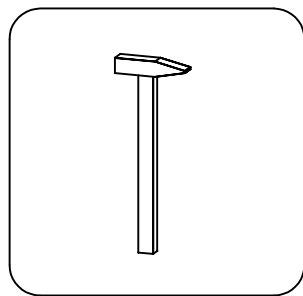
8230300014
P
x1


STEP.3_FN00000018B		
8040000762	8060000156	8040000005
L	x10	G
		x34
		
		M
		x16
		
		TGS 3,5X15

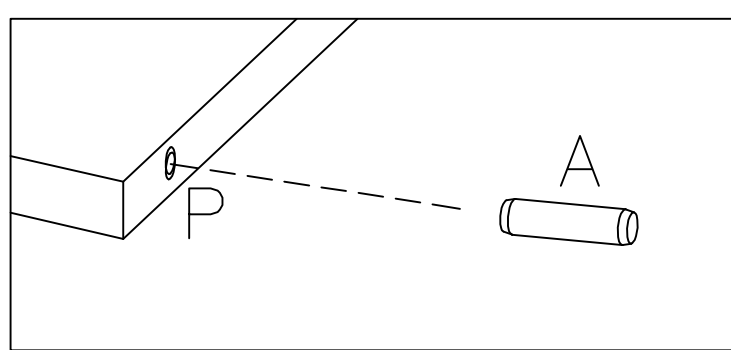
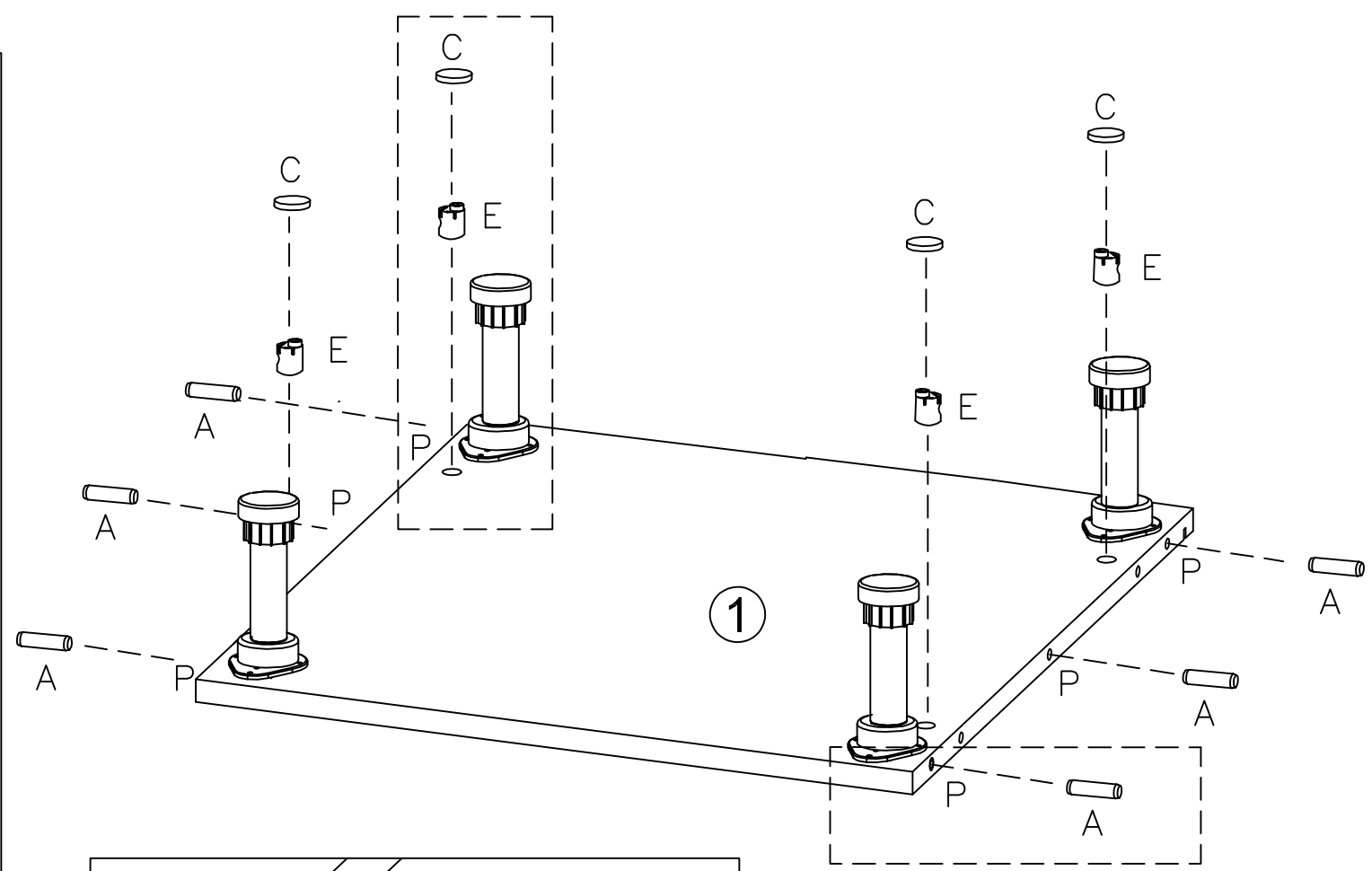
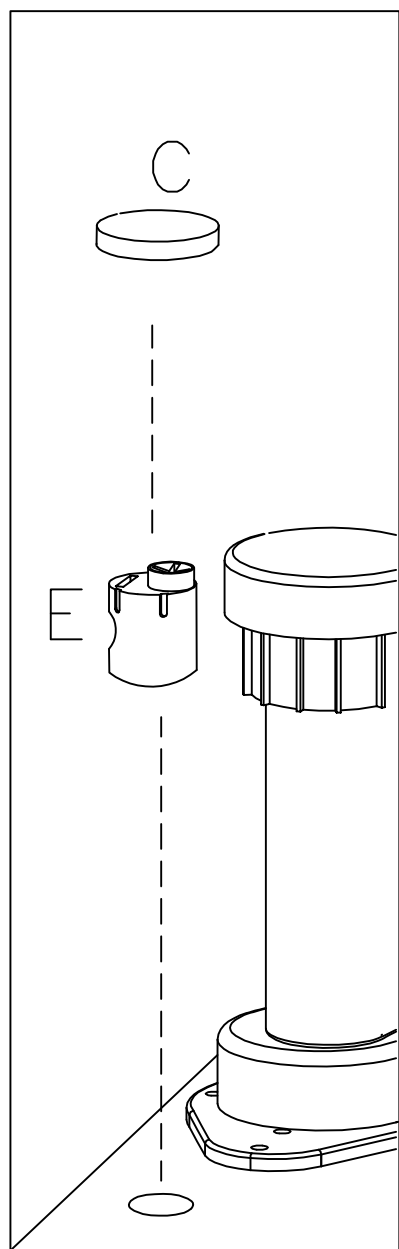
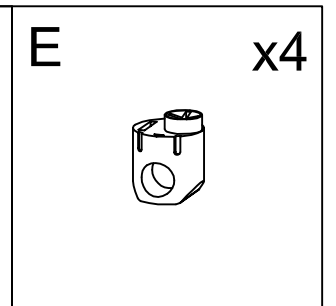
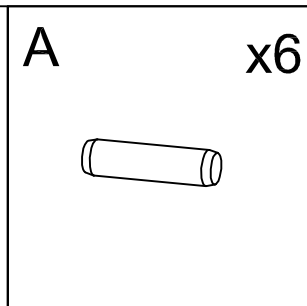
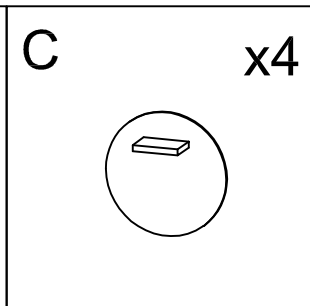
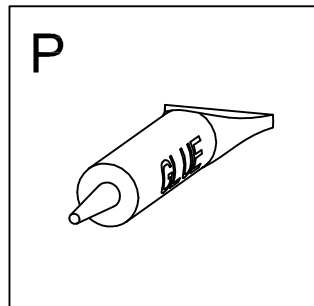
STEP.4_FN00000018C		
8040000392	8040002001	8040002002
S	x12	T
		x12
		
		U
		x12
		
		EURO 6,3X17



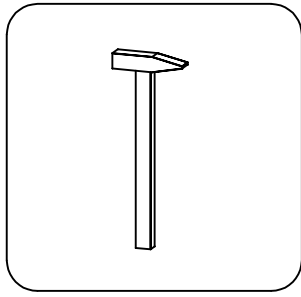
STEP.1- 01



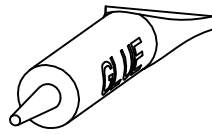
STEP.2- 01



STEP.2- 02

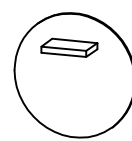


P



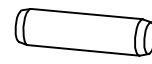
C

x4



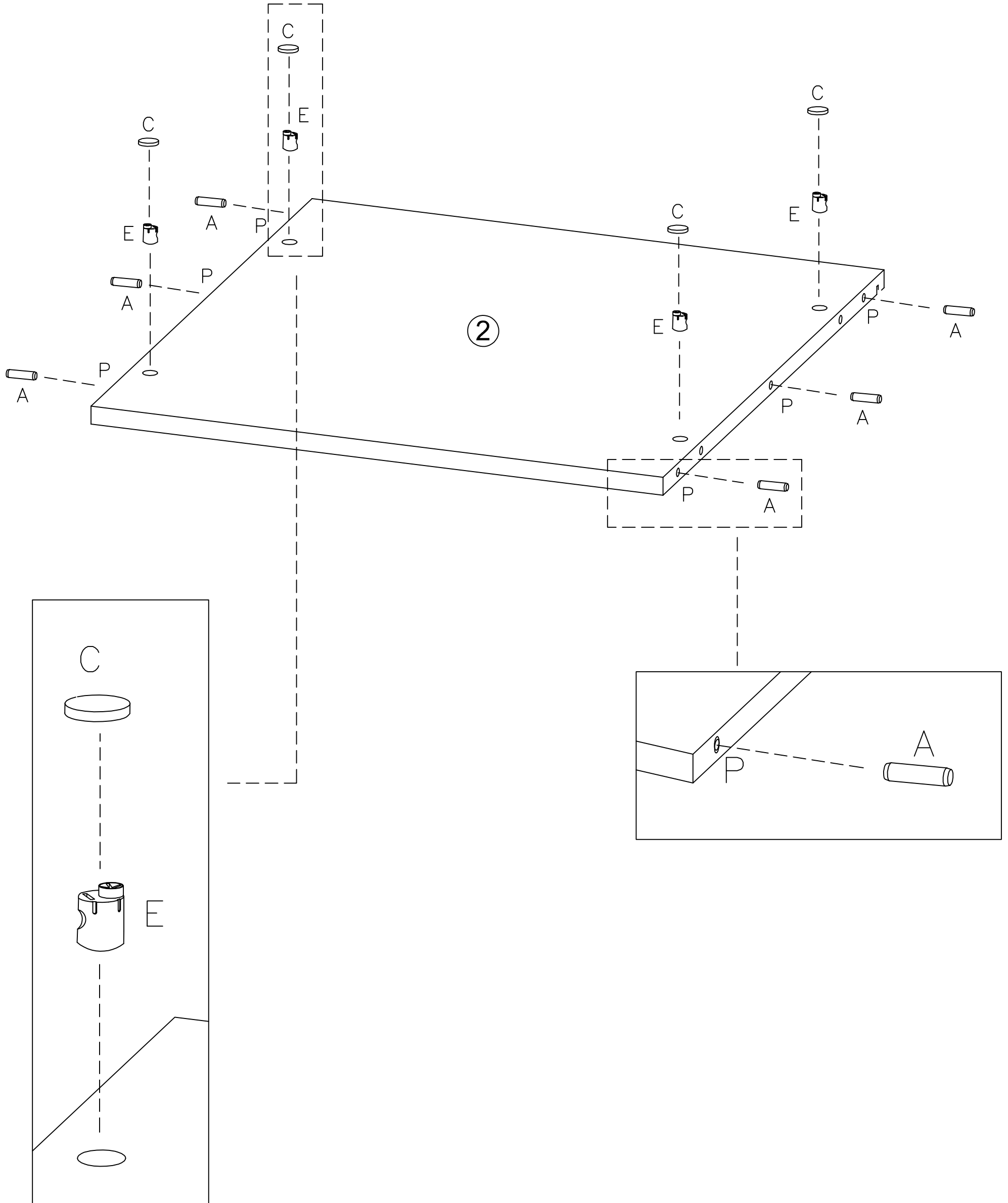
A

x6

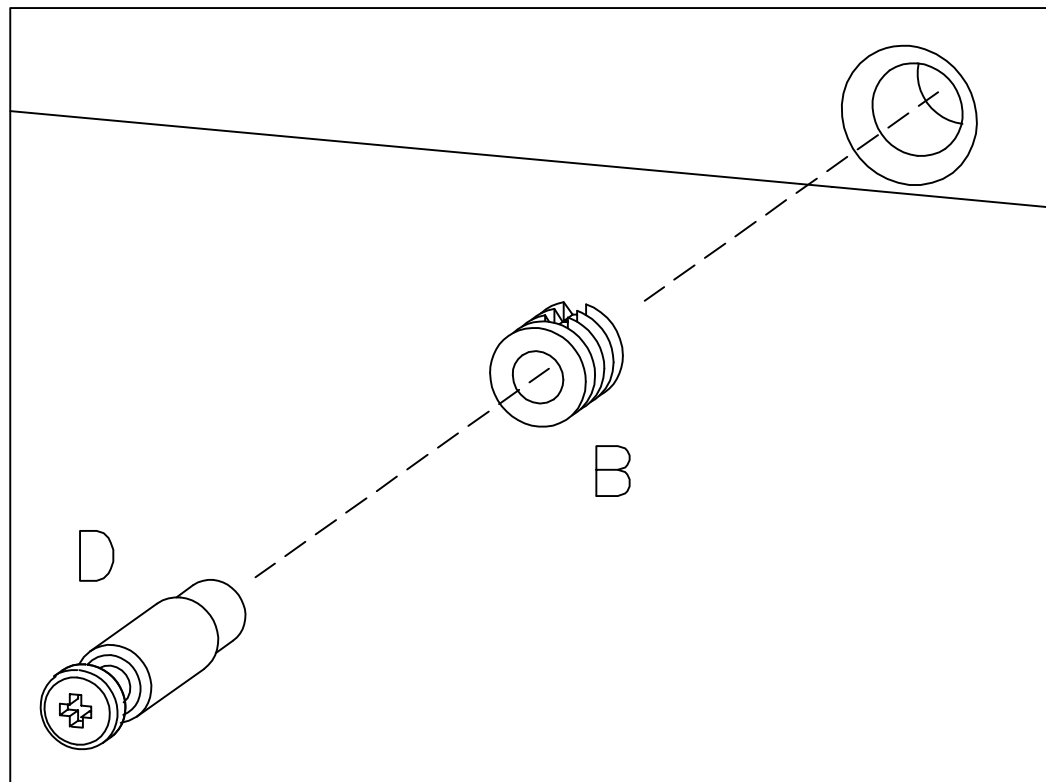
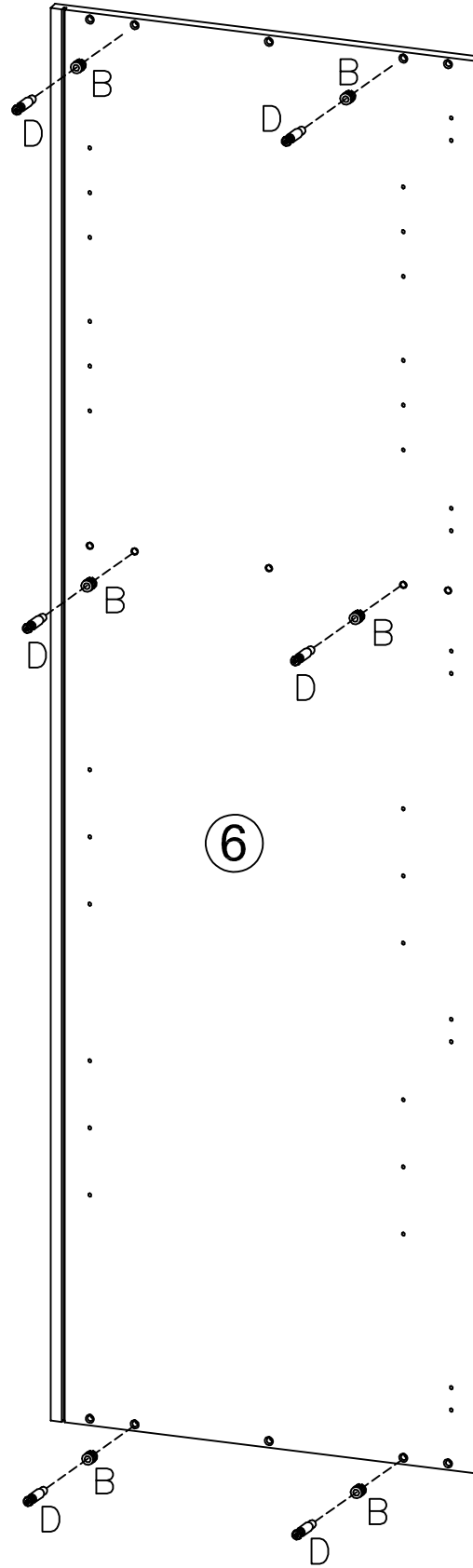
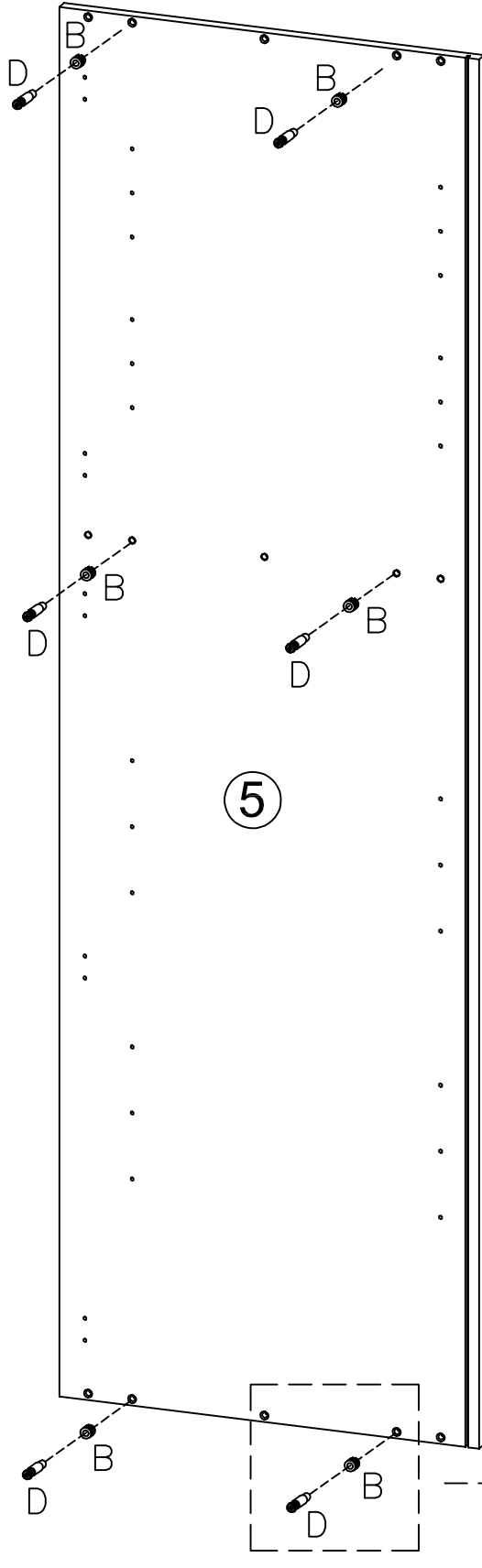
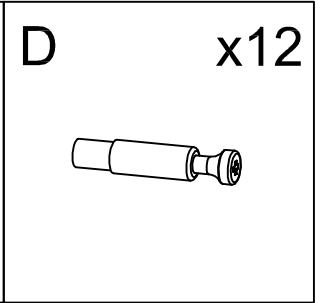
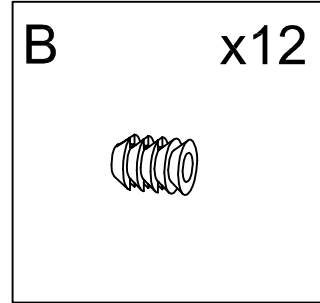
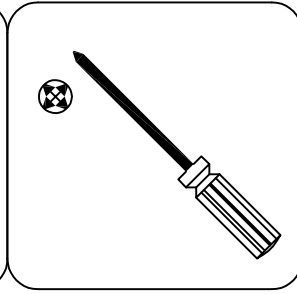
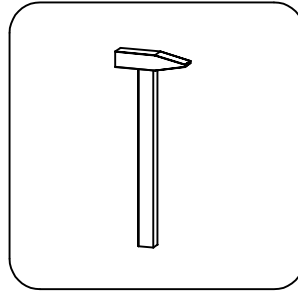


E

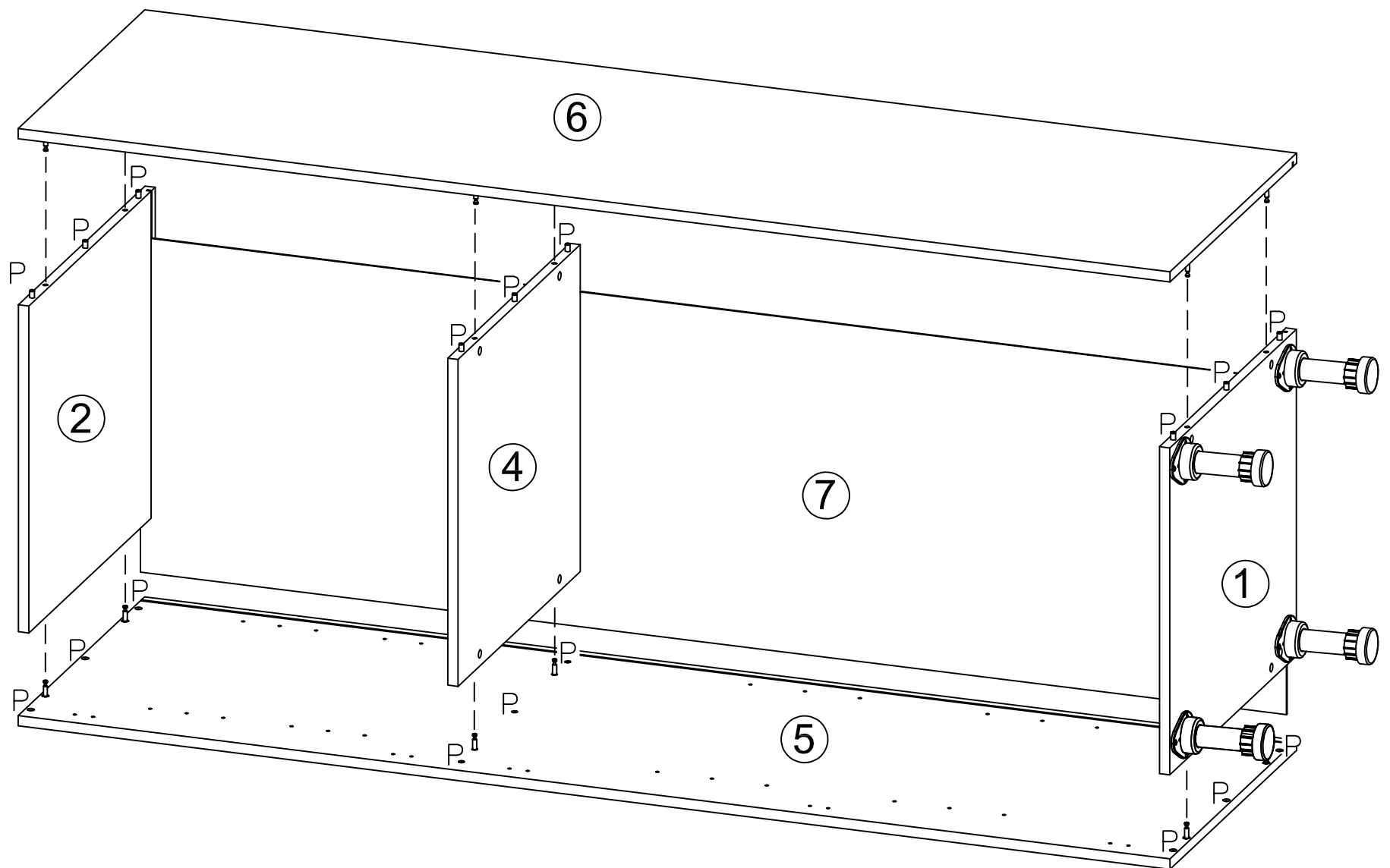
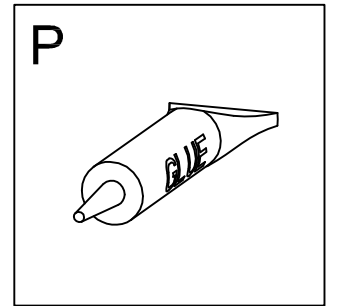
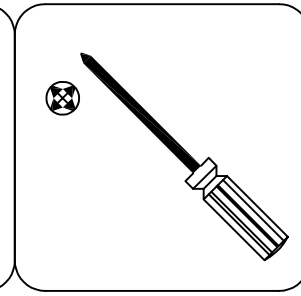
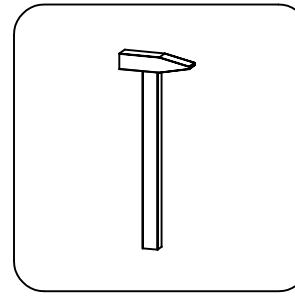
x4



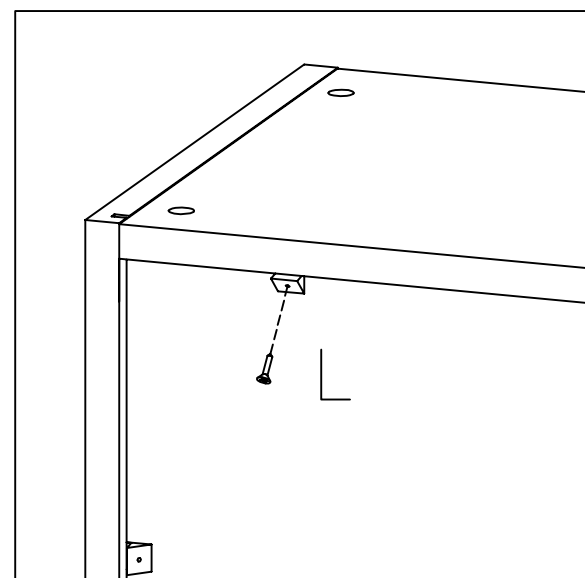
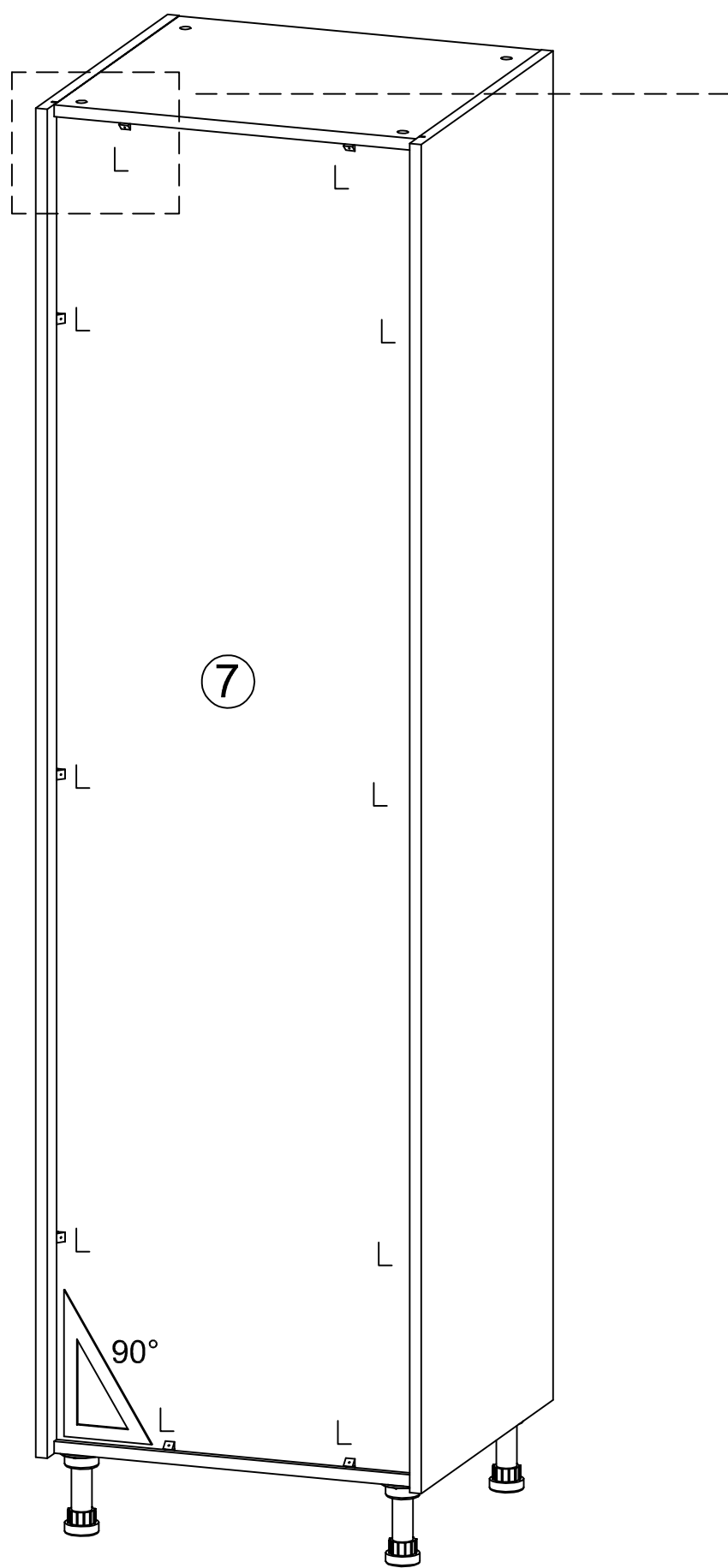
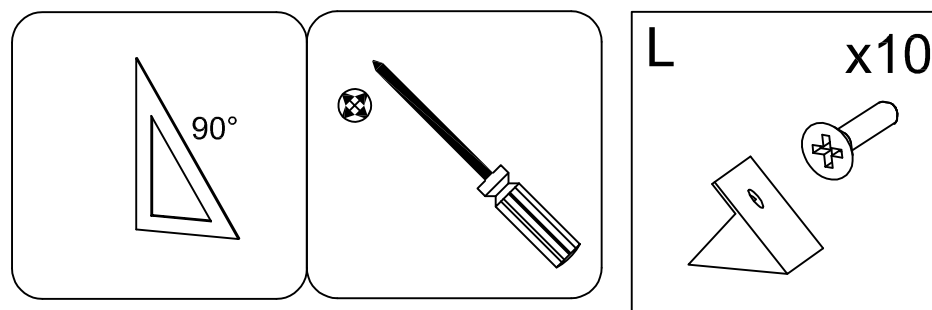
STEP.2- 03



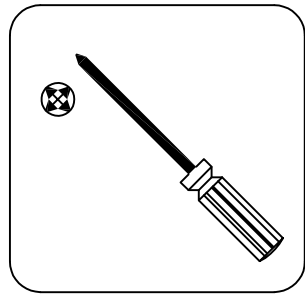
STEP.2- 04


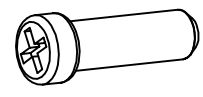
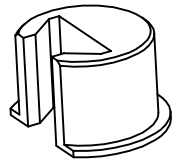
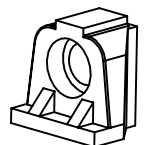


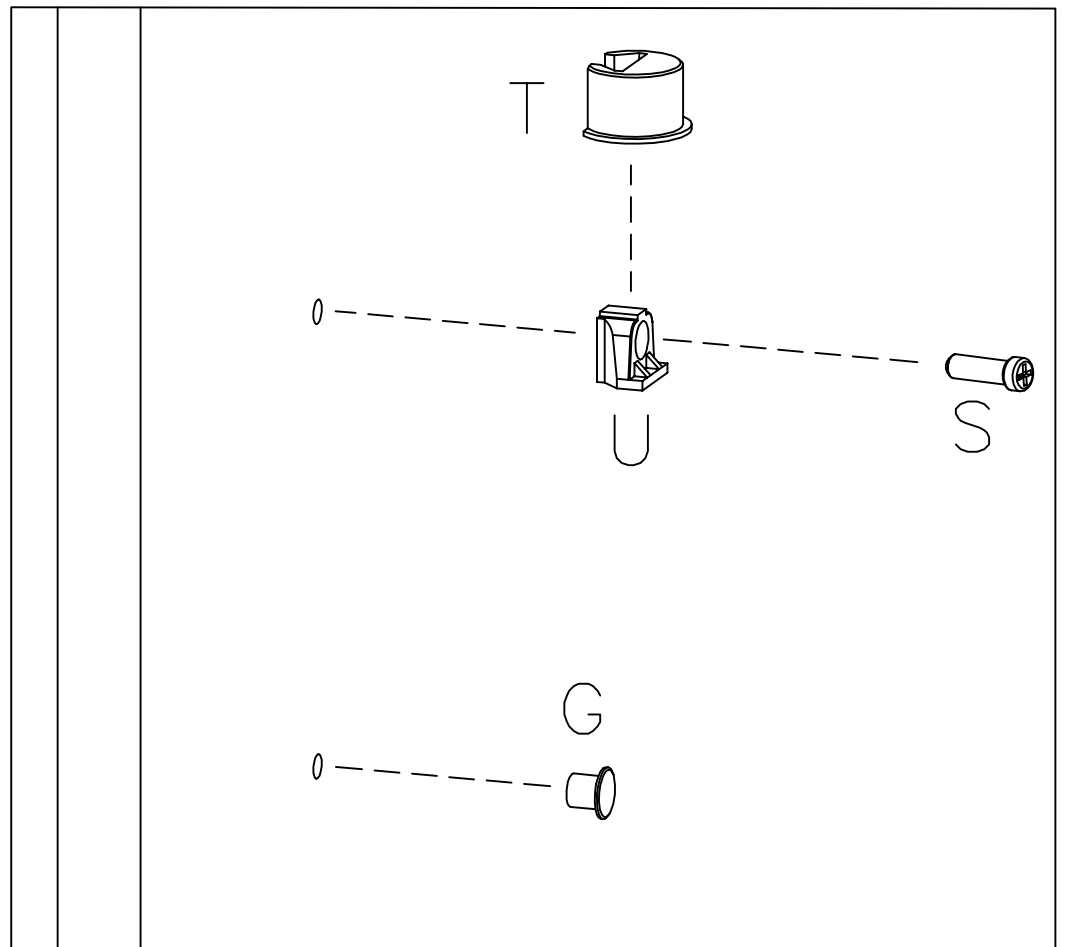
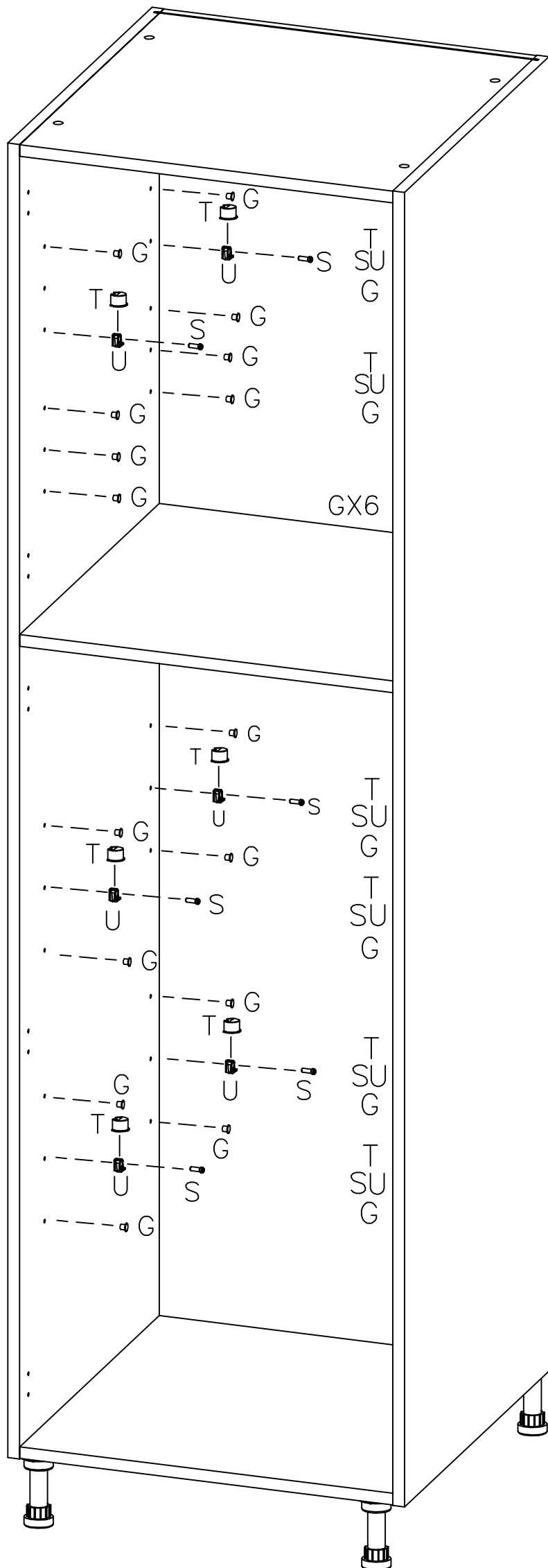
STEP.3- 01



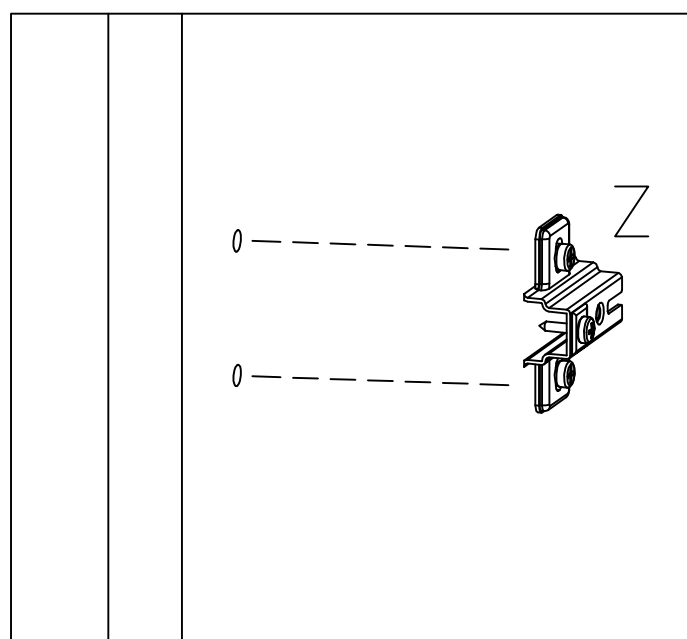
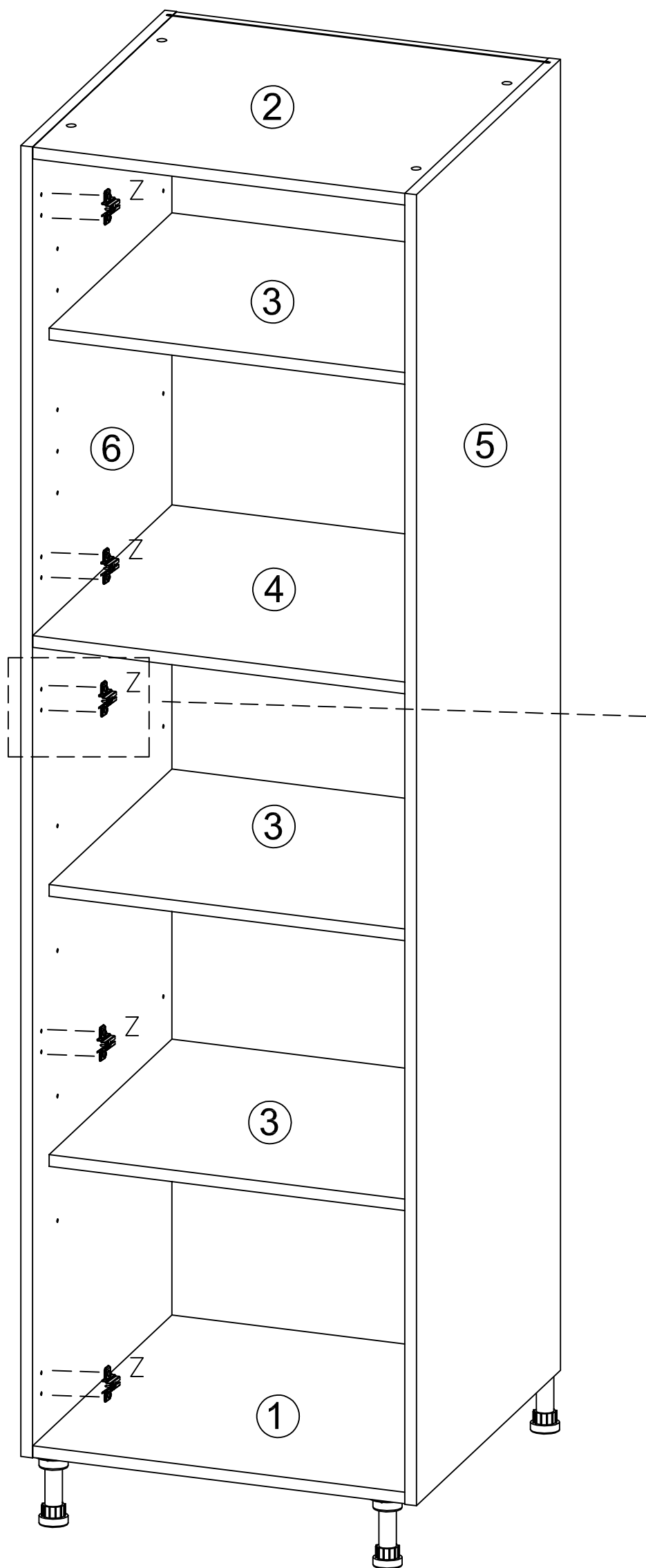
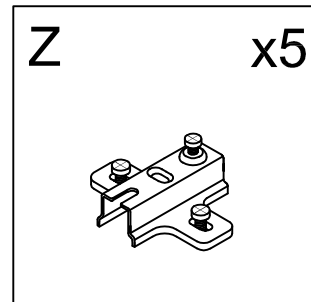
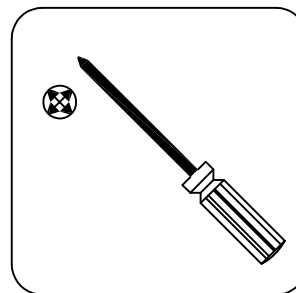
STEP.4- 01



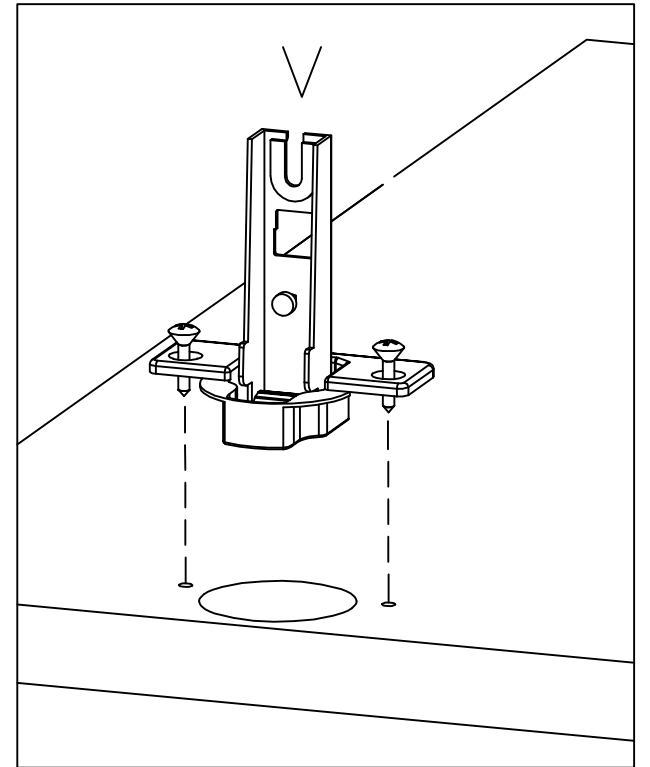
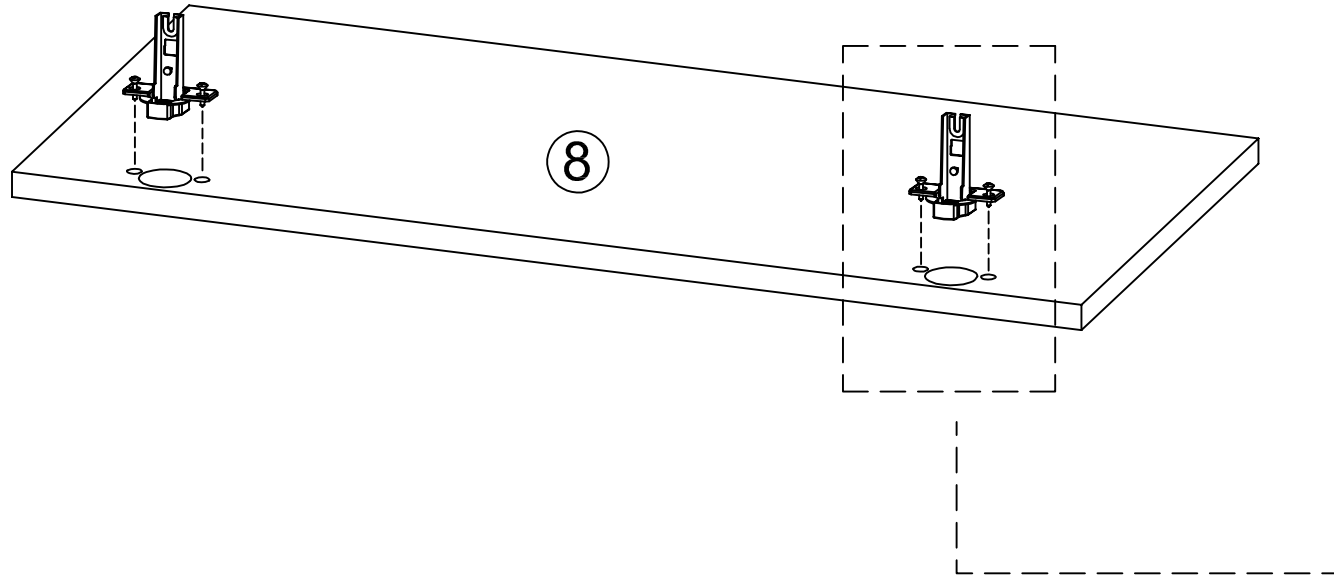
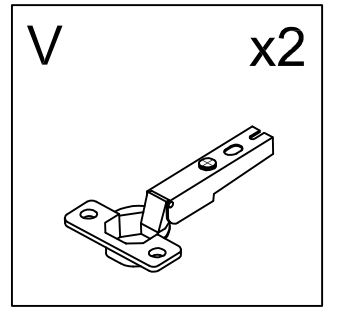
<p>G x34</p> 	<p>S x12</p>  EURO 6,3X17	<p>T x12</p> 	<p>U x12</p> 
--	--	---	---



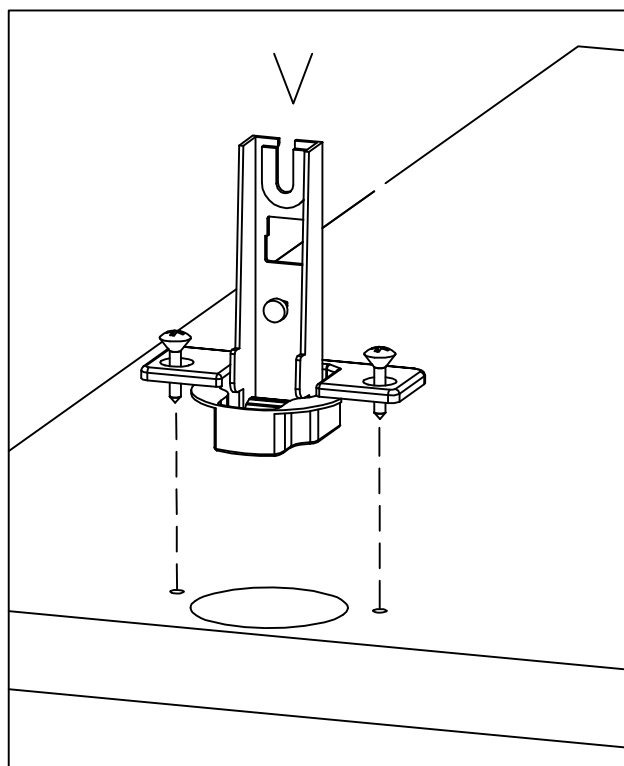
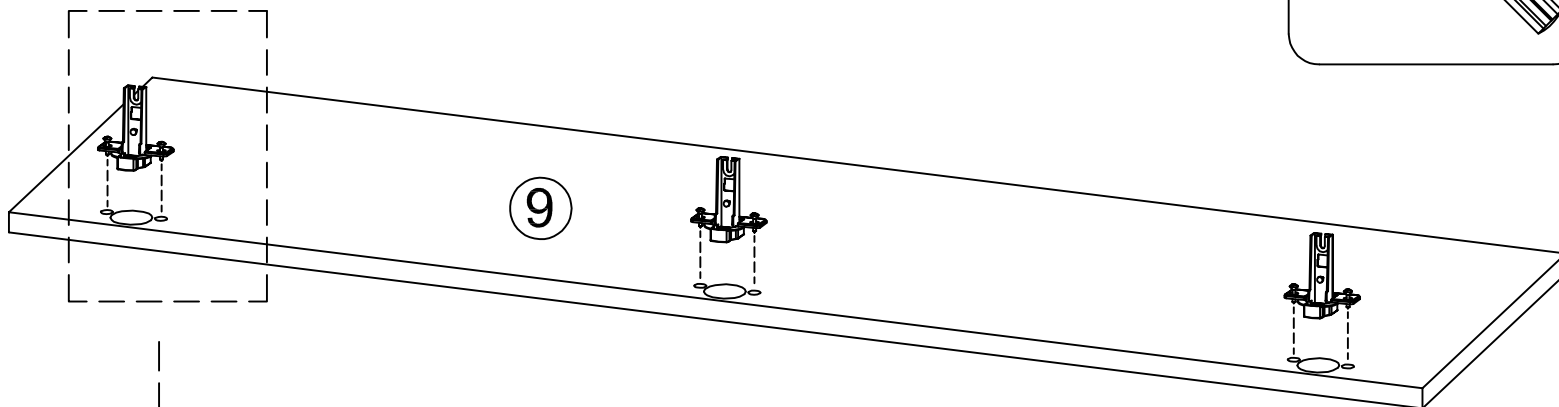
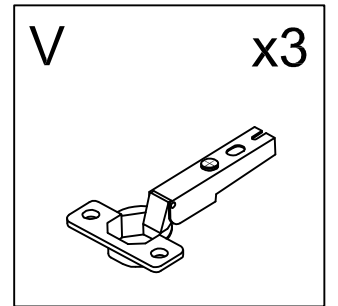
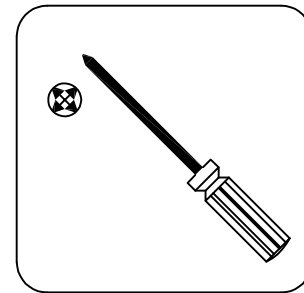
STEP.5- 01



STEP.5- 02



STEP.5- 03



STEP.6- 01

